

### Garantía Limitada

Durante dos años a partir de la fecha de compra Wayne Water Systems ("Wayne") reparará o reemplazará para el comprador original, según lo que decida, cualquier pieza o piezas de su, Bombas de resumideros, Bombas de agua ("Producto") que después de un examen Wayne encuentre que tenían defectos en su material o mano de obra. Sírvase llamar a la compañía Wayne (800-237-0987, desde EUA) para recibir instrucciones al respecto o comuníquese con el distribuidor más cercano a su domicilio. Para hacer reclamos bajo esta garantía deberá suministrarnos el número del modelo y el número de serie del producto. El comprador será responsable de pagar todos los gastos de flete para enviar las piezas o el Producto para que sean reparados o reemplazados.

Esta Garantía Limitada no cubre los daños que sufra el Producto debido a accidentes, abusos, usos inadecuados, negligencia, instalación incorrecta, mantenimiento inadecuado o haberse utilizado sin seguir las instrucciones escritas suministradas por la compañía Wayne.

**NO EXISTEN OTRAS GARANTÍAS EXPRESAS. LAS GARANTÍAS IMPLÍCITAS INCLUYENDO GARANTÍAS EN RELACION AL MERCADERO O USOS ESPECÍFICOS ESTAN LIMITADAS A DOS AÑOS A PARTIR DE LA FECHA DE COMPRA. ESTA ES LA ÚNICA GARANTÍA DISPONIBLE Y TODAS LAS RESPONSABILIDADES CIVILES, DIRECTAS O INDIRECTAS, O GASTOS POR DAÑOS INDIRECTOS O CONSECUENTES QUEDAN EXCLUIDOS.**

Algunos estados no permiten que se establezcan límites en la duración de las garantías implícitas o no permiten que se excluyan ni se establezcan límites en los daños por incidentes o consecuencias, por lo tanto los límites antes mencionados podrían ser no válidos. Esta Garantía Limitada le otorga derechos legales específicos, y usted también puede tener otros derechos que varían de un Estado a otro.

En ningún caso, bien sea por ruptura del contrato de la garantía, responsabilidad civil (incluyendo negligencia) u otra causa, Wayne o sus distribuidores serán responsables por daños especiales, consecuentes ni circunstanciales ni penales, incluyendo, pero no limitados a la pérdida de ganancias, pérdida de uso del producto o equipos asociados, daños a equipos asociados, costos de capitales, costos para substituir productos, costos para substituir o reemplazar servicios, costos por pérdida de productividad, o reclamos de clientes del comprador por dichos daños.

**DEBE** conservar el recibo de compra con esta garantía. En caso de que necesite hacer un reclamo bajo esta garantía, **DEBERA** enviarnos una  **copia**  del recibo junto con el material o correspondencia. Sírvase comunicarse con la compañía Wayne (800-237-0987, en EUA) para recibir autorización e instrucciones para enviar el producto.

**NO ENVÍE ESTA GARANTÍA A WAYNE.** Use este documento sólo para mantener sus records.

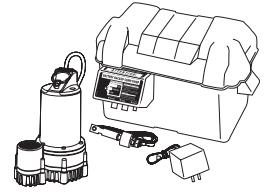
NO. DEL MODELO \_\_\_\_\_ NO. DE SERIE \_\_\_\_\_ FECHA DE INSTALACION \_\_\_\_\_

**ANEXE SU RECIBO AQUÍ**

Please read and save these instructions. Read carefully before attempting to assemble, install, operate or maintain the product described. Protect yourself and others by observing all safety information. Failure to comply with instructions could result in personal injury and/or property damage! Retain instructions for future reference.



## 12-Volt Backup Sump Pump



### Description

The ESP25 is a battery operated back-up sump pump. It does not replace a regular pump. It is designed to provide protection in the event household electrical power fails.

### Unpacking

Inspect this unit before it is used. Occasionally, products are damaged during shipment. If the pump or components are damaged, return the unit to the place of purchase for replacement. Failure to do so could result in serious injury or death.

### Safety Guidelines

This manual contains information that is very important to know and understand. This information is provided for SAFETY and to PREVENT EQUIPMENT PROBLEMS. To help recognize this information, observe the following symbols.

#### ⚠ DANGER

*Danger indicates an imminently hazardous situation which, if not avoided, will result in death or serious injury.*

#### ⚠ WARNING

*Warning indicates a potentially hazardous situation which, if not avoided, could result in death or serious injury.*

#### ⚠ CAUTION

*Caution indicates a potentially hazardous situation which, if not avoided, may result in minor or moderate injury.*

#### NOTICE

*Notice indicates important information, that if not followed, may cause damage to equipment.*

### General Safety Information



#### ⚠ DANGER

*Do not use to pump flammable or explosive fluids such as gasoline, fuel oil, kerosene, etc. Do not use in a flammable and/or explosive atmosphere. Pump should only be used to pump clear water. Fatal injury and/or property damage could result.*



#### ⚠ DANGER

*If the basement has water or moisture on the floor, do not walk on wet area until all power is turned off. If the shutoff box is in the basement, call an electrician. Remove pump and either repair or replace. Failure to follow this warning could result in fatal electrical shock.*



#### ⚠ WARNING

*All wiring must be performed by a qualified electrician.*



#### ⚠ WARNING

*Do not expose battery to sparks or flames as an explosion or fire could result.*



#### ⚠ WARNING

*Battery acid is corrosive. Avoid spilling on skin or clothing. Eye protection must be worn when handling the battery.*

#### ⚠ WARNING

*A check valve must be used on the primary sump pump discharge.*

#### ⚠ WARNING

*A ground fault circuit interrupter is required.*

#### NOTICE

*This pump must only be used to pump clear water. This pump is not designed to handle effluent, salt water, brine, laundry discharge or any other application which may contain caustic chemicals and/or foreign materials. Pump damage may occur if used in these applications and will void warranty.*

### Battery Information

The system is designed to operate most efficiently with sealed lead acid (SLA) batteries. Deep cycle marine batteries or automotive style batteries can also be used.

Sealed lead acid batteries cost slightly more, but they can last longer. Among the manufacturers of sealed lead acid batteries are Hawker, Panasonic, PowerSonic, Yuasa and Eagle Picher.

The oversize battery case (included) will accommodate a 12-volt SLA battery or a 12-volt deep cycle marine battery (up to a 27-frame size).

**REMINDER: Keep your dated proof of purchase for warranty purposes! Attach it to this manual or file it for safekeeping.**

## Battery Information (Continued)

Be certain that the area around the batteries is well ventilated. Before servicing the batteries, blow away gasses by waving a piece of cardboard near the batteries.

### ⚠ DANGER

**Dangerous hydrogen gas can be released from batteries while charging. Sparks can ignite the gas in an enclosed space. Wear safety goggles when connecting batteries. Battery connections should be made in a well-ventilated area.**

### ⚠ DANGER

**Working in the vicinity of lead acid batteries can be dangerous. Before making connections or servicing the batteries, read and follow instructions in all applicable instruction manuals. To reduce the risk of battery explosion, follow the instructions in this manual and those published by the battery manufacturer, as well as those of any other equipment used in the surrounding area.**

An assistant should be present or close enough to come to your aid in the event of an emergency. Have a reliable source of fresh water and soap nearby in case battery acid contacts clothing, skin or eyes.

Wear eye and clothing protection when working around lead acid batteries.

Avoid touching your eyes when working around lead acid batteries.

### ⚠ WARNING

**If battery acid contacts your eye(s), flush with cold running water for 10 minutes and seek immediate medical attention. If acid contacts your skin or clothing, wash immediately with soap and water.**

### ⚠ WARNING

**Never smoke or allow a spark or flame in the vicinity of the battery.**

### ⚠ WARNING

**Avoid dropping metal tools on the battery posts because they may spark or short-circuit the system or battery, causing an explosion.**

## Installation

### NOTICE

**Installation of this unit may take several hours. Before disabling your main pump, have ready an appropriate means of evacuating the sump.**

1. Turn power to main pump off.
2. Pump must be installed using 1/4" or 1/2" rigid PVC piping.

### Pump Installation

The ESP25 can be installed as a back up system with a separate dedicated discharge line (Method 1), or tied into an existing sump pump line (Method 2, page 3).

### ⚠ DANGER

**Unplug the existing AC pump. Failure to follow this warning could result in fatal electrical shock.**

1. Verify that the existing AC pump is in good working order. If the AC pump is questionable, it is typically recommended that the unit be replaced with a 1/3 or 1/2 HP pump.

2. Remove any silt or accumulated debris from the sump pit and surrounding area.

### Method 1 (Preferred)

1. Locate the ESP25 on a solid, level surface in the sump pit. Do not place the pump on a loose or sandy surface. Small stones or sand may damage the pump resulting in potential pump failure.
2. This pump has a 1/2" NPT discharge. If a 1/4" discharge pipe is desired, an adapter (not included) will be necessary. Smaller diameter piping will reduce pump flow, rate and performance.
3. Cut a 4' section of 1/4" or 1/2" diameter rigid PVC pipe. Cement 1/4" pipe to a threaded fitting. Cement 1/4" pipe section to the ESP25 discharge adapter.
4. Screw on to pump discharge.

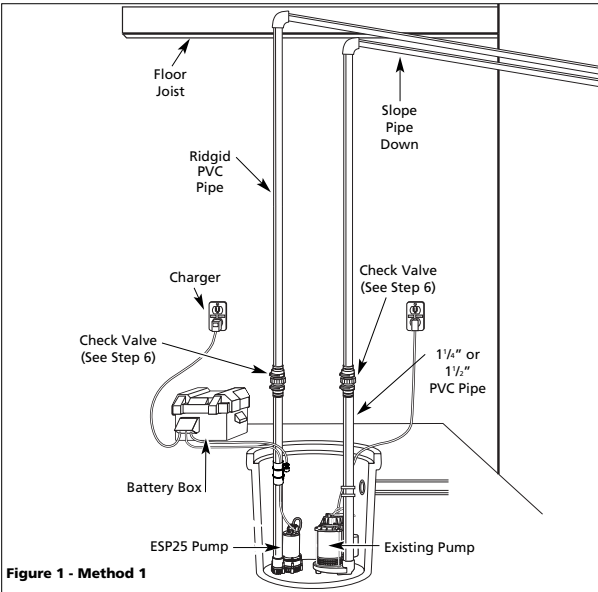


Figure 1 - Method 1

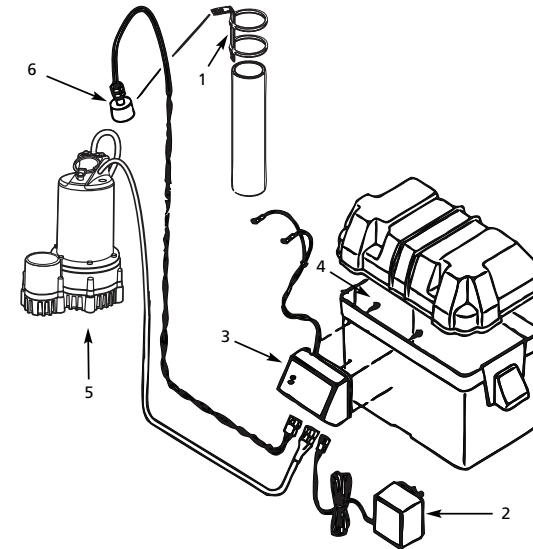
## Para Ordenar Repuestos, Sírvase llamer al Concesionario más Cercano a su Domicilio

Sírvase proporcionar la siguiente información:

- Número del modelo
- Número de serie (de haberlo)
- Descripciones y número de piezas, tal como aparecen en la lista de piezas.

Dirección para correspondencia sobre repuestos:

Wayne Water Systems  
101 Production Drive  
Harrison, OH 45030 U.S.A.



Nº. de Ref.	Descripción	Número de pieza	Ctd.
1	Ménsula	46049-001	1
2	Cargador	30221-001	1
3	Caja de control	30222-002	1
4	Tornillo - caja de control	16119-002	4
5	Bomba	58324-001	1
6	Interruptor/ flotante	30033-001	1

**Guía de diagnóstico de averías**

Problema	Posible(s) Causa(s)	Acción Correctiva
La bomba no funciona	1. Conexiones flojas 2. Batería baja o defectuosa 3. Interruptor de flotador atascado  4. Fusible defectuoso o quemado	1. Revise todas las conexiones 2. Revise la batería y reemplácela si está baja o defectuosa 3. Asegúrese de que nada interfiera con el funcionamiento del interruptor  4. Revise el fusible interno ubicado dentro de la caja de control. Desconecte el cargador del tomacorrientes de la pared y retire el fusible. Si está quemado, cámbielo por un fusible tipo auto-motor de 20 amperios
El motor zumba, pero la bomba no funciona	1. Batería defectuosa 2. El impulsor está bloqueado	1. Revise la batería y reemplácela si está baja o defectuosa 2. Desconecte la bomba, retire la rejilla y revise para ver si el impulsor puede girar libremente. Si el impulsor está bloqueado, retire los 7 tornillos en la parte inferior de la bomba para liberar la caja que cubre el impulsor. Retire la obstrucción. Vuelva a armar la bomba y vuelva a conectar.
La bomba funciona pero bombea poca o nada de agua	1. Revise la válvula que falta o que está mal instalada 2. Obstrucción en el tubo de descarga 3. La longitud y/o altura del tubo de descarga excede la capacidad de la bomba 4. Batería baja o defectuosa	1. Revise para asegurarse de que las válvulas de retención instaladas entre la bomba primaria y la bomba de respaldo para sumideros estén funcionando adecuadamente. 2. Revise si hay obstrucción y remuévala si es necesario 3. Si la línea de descarga está muy alta, tal vez necesitará instalar una línea de descarga adicional a una altura inferior 4. Revise la batería y cámbiela si está baja o defectuosa
Los ciclos de la bomba son muy frecuentes	1. Revise los problemas de válvulas	1. Revise para asegurarse de que las válvulas de retención instaladas entre la bomba primaria y la bomba de respaldo para sumideros estén funcionando adecuadamente.

**Installation (Continued)**

**NOTICE**

*Be careful not to strip or cross thread plastic fittings or check valves. Flex hose is not recommended. Rigid PVC or metal pipe is required for a permanent installation.*

- Place the pump with the 4' section of PVC pipe on a solid, level surface in the sump pit on an elevated surface.
- Attach a rubber check valve (sold separately) to the top of the discharge pipe. This will allow the pump or check valve to be removed easily for servicing.

**NOTE:** Check valves can be placed directly in the pump discharge if desired. However, for ease of disassembly, it is recommended that check valves be placed above the sump as shown in Figure 1.

The remainder of the discharge pipe installation will vary depending on individual circumstances. Using sound plumbing practices, route the discharge pipe to an exterior wall by the shortest path. Keep turns to a minimum because they reduce flow output of the pump. The pipe that exits the building structure should be sloped downward so that water will not freeze in the pipe.

When installing the separate discharge pipe, drill through the outside wall with appropriate drilling equipment. Seal the hole to prevent water from entering.

**Method 2**

If a separate, dedicated discharge is not possible as in Method 1, the ESP25 pump can be tied in to the AC-operated pump's discharge pipe by installing a "Y" connector. Two check valves will be required.

- Locate the ESP25 on a solid, level surface in the sump pit. Do not place the pump on a loose or sandy surface. Small stones or sand may damage the pump resulting in potential pump failure.

- This pump has a 1/2" NPT discharge. If a 1/4" discharge pipe is desired, an adapter (not included) will be necessary. Smaller diameter piping will reduce pump flow, rate and performance.
- A check valve will be required in the discharge line of **BOTH** the Main AC pump and the ESP25 pump to prevent recirculation of water into the sump pit. System will not function without two check valves.
- Cut a 4' section of 1/4" or 1/2" diameter rigid PVC pipe. Cement 1/2" pipe to a threaded fitting. Cement 1/4" pipe into pipe coupling. Attach 1/4" pipe section to the ESP25 discharge adapter.
- Screw on to pump discharge.
- Place the pump with the 4' section of PVC pipe on the sump floor or on an elevated surface if required.
- Attach a rubber check valve (sold separately) to the top of the discharge pipe. This will allow the pump or check valve to be removed easily for servicing.
- Duplicate the discharge piping arrangement for the primary AC pump if the existing discharge line has to be adjusted to accommodate a second pump.
- Glue a 45° elbow to the short pipe on the ESP25 pump. Glue a "Y" adapter to the short pipe on the existing pump, as shown in illustration for Method 2.
- Glue a short piece of PVC pipe between the 45° elbow and the "Y".

**NOTICE**

*Be careful not to strip or cross thread plastic fittings or check valves. Flex hose is not recommended. Rigid PVC or metal pipe is required for a permanent installation.*

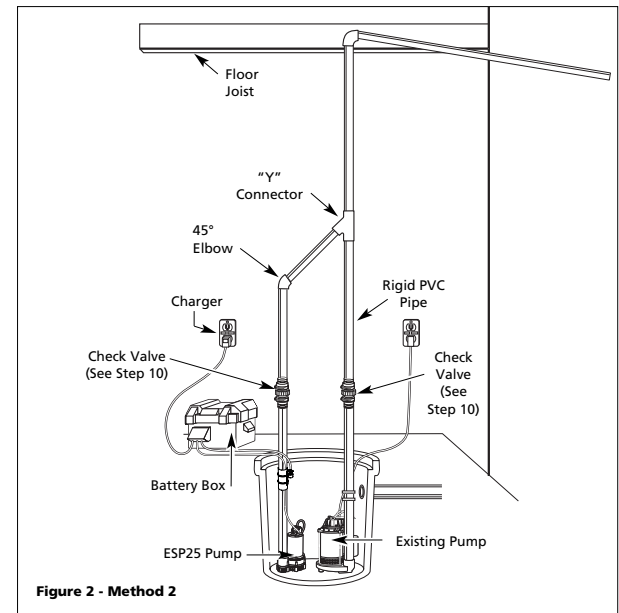


Figure 2 - Method 2

## Installation (Continued)

The remainder of the discharge pipe installation will vary depending on individual circumstances. Using sound plumbing practices, route the discharge pipe to an exterior wall by the shortest distance.

### Methods 1 and 2

Install float switch at least 10"-12" above bottom of sump pit so that backup unit turns on only when the water level is higher than the normal "on" level for main pump. Use the wires provided to secure the switch to the discharge pipe. Make sure power wires do not interfere with float switch, pump inlet, or main pump operation. Backup pump must not be allowed to run dry.

### Control Box Installation

1. Attach control box to the side of battery box as shown in Figure 3. Place battery in box, attach red cable to positive battery post and black cable to negative post. Put lid on box.

### CAUTION

*If cables are reversed, damage to the control box or battery could result, and warranty will be void.*

2. Place battery box within six feet of the sump and a 115 VAC separately fused outlet. The outlet must be protected by a ground fault circuit interrupter (GFCI). The area must also be clean, dry and well-ventilated.
3. Plug the float switch, pump and charger into the control box. The connections are marked on the control box.
4. Test pump operation by filling the sump with water while the main pump is unplugged. If the pump operates properly, plug the charger into the GFCI protected outlet to begin charging the battery.
5. Protect electrical cord from sharp objects, hot surfaces, oil and chemicals. Avoid kinking the cord and replace damaged components immediately.

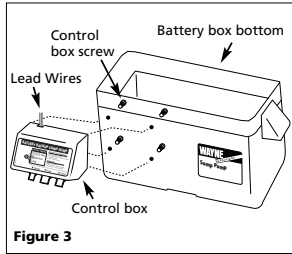


Figure 3

## Operation



### ⚠ DANGER

**Always disconnect the power source before attempting to install, service, relocate or maintain the pump. Never touch sump pump, pump motor, water or discharge piping when pump is connected to electrical power. Never handle a pump or pump motor with wet hands or when standing on wet or damp surface or in water. Fatal electrical shock could occur.**



### ⚠ DANGER

**Risk of electrical shock! Use a GFCI receptacle to reduce the risk of fatal electrical shock. Cutting the cord or plug will void the warranty and make the pump inoperable.**

1. After installation, the backup pump will start when the water level rises above the depth that the primary pump should start.
2. The control box has a DC charger designed to shorten the recharging time of your battery, and to prevent overcharging. In addition, the control box has a time delay which keeps the pump from repeated, short cycles when it shuts off. This time delay feature will allow the pump to run 20-25 seconds after the switch reaches the off position.

3. The control box contains a multi-colored indicator light. When AC power is present, the light will indicate the charging state, and not reflect actual battery voltage, particularly with a defective battery. In order for the indicator light to provide an accurate reading, steps "a" through "d" must be followed.



### ⚠ DANGER

**Unplug main AC pump and the charger. Risk of electrical shock!**

- a. After main AC pump and charger are unplugged, a power off alert tone will sound for 30 seconds.
- b. Lift and release the float switch to activate the backup pump.
- c. When the pump stops, read the test light:

**Green:** Indicates battery is charged.

**Yellow:** Voltage is low, indicating battery is partially charged.

**Red:** Battery is completely discharged or defective.

- d. Plug in charger and main AC pump.
- When AC power is out, and when pump has been running, the light will indicate battery status.
4. A chirping sound from the control box will accompany the red light, indicating that the battery may require attention or replacement. Voltage is only an indicator of battery condition and may not reflect the true condition of the battery. See Maintenance for instruction on assessing battery condition.
  5. A single thirty-second tone will sound when power to the system is interrupted. The unit will reset automatically when power is restored. A three-second tone will sound every time the pump starts.

## Funcionamiento (Continuación)

indicará que se está cargando la unidad, pero no le indicará el voltaje de la batería, especialmente si la batería está dañada. Para que la luz le indique información correcta debe seguir los pasos de "a" a "d".

### ⚠ PELIGRO



**Desconecte la bomba de CA principal y el cargador. ¡Riesgo de choque eléctrico!**

- a. Después de haber desconectado la bomba de CA principal y el cargador, sonará un tono de alerta de apagado de energía durante 30 segundos.
- b. Levante y suelte el interruptor de flotador para activar la bomba de respaldo.
- c. Cuando la bomba deje de operar vea las luces multicolores:

**Verde:** Le indica que la batería está cargada.

**Amarilla:** Voltaje es bajo, la batería sólo está parcialmente cargada.

**Roja:** La batería está totalmente descargada o dañada.

- d. Conecte la bomba principal y el cargador al tomacorrientes.
- Si la corriente alterna está apagada, mientras la bomba está funcionando, la luz le indicará la carga de la batería.
4. Al escuchar un sonido cuando la luz roja se enciende le indica que necesita revisar o reemplazar la batería. El voltaje sólo le indica la condición de la batería pero no le indica el estado en que se encuentra. Vea la sección de Mantenimiento donde se le indica como evaluar el estado de la batería.
  5. Un silbido de 30 segundos le indicará cuando se interrumpa el suministro de energía. La unidad comenzará a funcionar automáticamente al comenzar el suministro de energía. Cada vez que

la unidad comience a funcionar escuchará un silbido de 30 segundos.

## Mantenimiento

### ⚠ PELIGRO



**Siempre desconecte el suministro eléctrico antes de intentar instalar, dar servicio, reubicar o ejecutar cualquier**

**mantenimiento. Si la fuente de poder no está a la vista, bloquéela y márquela en posición abierta (apagada) para impedir la aplicación inesperada de energía eléctrica. Si no se cumple con esta advertencia, podría provocarse un choque eléctrico de consecuencias fatales. Sólo electricistas calificados deben reparar esta unidad. Una reparación inadecuada podría ocasionar un choque eléctrico fatal.**

### AVISO

**Revise la condición de la batería una vez al mes. Para revisar el estado de la batería, siga los pasos que se enumeran a continuación:**

1. Desconecte el cargador de pared.
2. En las baterías con tapones superiores removibles, se debe comprobar el nivel electrolítico y mantenerlo de conformidad con los lineamientos impartidos por el fabricante. La carga para cada pila se debe verificar con un hidrómetro. Una gravedad específica de 1,265 indica que la batería está con carga completa. Si la gravedad específica de cualquiera de las pilas varía en más de 0,050, la batería debe ser reemplazada.
3. Inspeccione los bornes y abrazaderas para determinar si hay corrosión y si están ajustados. Límpielos y ajústelos según sea necesario.
4. Desconecte la bomba principal y llene el sumidero con agua hasta que se prenda la bomba auxiliar. Repita el procedimiento dos veces para asegurarse de que la bomba opera normalmente.
5. Si la bomba opera normalmente, enchufe el cargador en el tomacorriente de pared y encienda la bomba principal. Si la bomba deja de operar normalmente, vea la guía de Detección de fallas y corrija el problema. Repita el paso No. 5.

## BATERÍAS

### ⚠ PELIGRO

**Mientras se están cargando, las baterías pueden liberar gas hidrógeno peligroso. Las chispas pueden hacer que el gas entre en combustión en un espacio cerrado. Use gafas de seguridad cuando conecte las baterías. Las conexiones de baterías deben hacerse en un área con buena ventilación.**

### ⚠ PELIGRO

**Trabajar en las inmediaciones de baterías de plomo-ácido puede ser peligroso. Antes de hacer conexiones o reparar las baterías, lea y siga las instrucciones en todos los manuales de instrucciones aplicables. Para reducir el riesgo de explosión de la batería, siga las instrucciones de este manual, y aquellas publicadas por el fabricante de la batería, así como también las de cualquier otro equipo que se use en los alrededores.**

### ⚠ ADVERTENCIA

**Si el ácido de la batería entra en contacto con los ojos, lave con agua corriente fría durante 10 minutos y procure atención médica de inmediato. Si el ácido entra en contacto con su piel o su vestimenta, lávese inmediatamente con agua y jabón.**

### ⚠ ADVERTENCIA

**Nunca fume ni deje que haya chispas ni llamas en el área próxima a la batería.**

### ⚠ ADVERTENCIA

**Evite dejar caer herramientas de metal sobre los bornes de la batería, porque pueden causar chispas o un cortocircuito en el sistema o en la batería, provocando una explosión.**

Siga los procedimientos y programas de mantenimiento del fabricante de la batería. Asegúrese de que el área alrededor de las baterías esté bien ventilada. Antes de reparar las baterías, aleje los gases abanicando las baterías con un trozo de cartón.

## Instalación (Continuación)

5. Atornille a la descarga de la bomba.

### AVISO

**Tenga cuidado de no pelar ni cruzar las conexiones plásticas roscaadas ni las válvulas de retención. No se recomienda usar mangueras flexibles. Para una instalación permanente, se requieren tuberías de PVC rígido o de metal.**

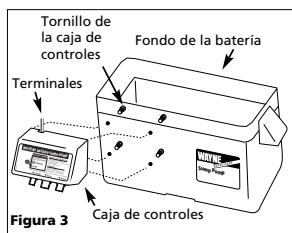
6. Coloque la bomba con la sección de tubo de PVC de 4' sobre el piso del sumidero o sobre una superficie elevada, si fuera necesario.
7. Adjunte una válvula de retención de goma (que se vende por separado) al extremo superior de la tubería de descarga. Esto permitirá que la bomba o la válvula de retención se retiren con facilidad para repararlas.
8. Duplique la disposición de la tubería de descarga para la bomba de CA primaria si la línea de descarga existente tiene que ajustarse para contener una segunda bomba.
9. Pegue un codo de 45° al tubo corto en la bomba ESP25. Pegue un adaptador en "Y" al tubo corto en la bomba existente, como se muestra en la ilustración del Método 2.
10. Pegue un tramo corto de tubo de PVC entre el codo de 45° y la "Y".

**NOTA:** Las válvulas de retención pueden colocarse directamente en la descarga de la bomba si lo desea. Sin embargo, para desarmar más fácilmente, se recomienda que las válvulas de retención se coloquen por encima del sumidero, como se muestra en la Figura 2.

El resto de la instalación de la tubería de descarga variará dependiendo de las circunstancias individuales. Dirija la tubería de descarga hacia una pared exterior, por la distancia más corta, siguiendo las técnicas de instalación sanitaria más adecuadas.

### Métodos 1 y 2

Instale el interruptor de flotador al menos 25,4 cm - 30,5 cm por encima del pozo del sumidero de modo que la unidad de respaldo se encienda sólo cuando el nivel del agua sea mayor que el nivel de "encendido" normal de la bomba principal. Use los amarres de alambre para asegurar el interruptor a



la tubería de descarga. Asegúrese de que los cables de energía no interfieran con el interruptor de flotador, la entrada de la bomba ni con el funcionamiento de la bomba principal. No se debe dejar que la bomba de respaldo funcione en seco.

### Instalación de la caja de control

1. Conecte la caja de control a uno de los lados del compartimiento de la batería tal como se muestra en la Figura 3. Coloque la batería en el compartimiento, conecte el cable rojo al borne positivo de la batería y el cable negro al borne negativo. Ponga la tapa a la caja.

### PRECAUCIÓN

**Si los cables se conectan al revés, puede dañarse la caja de control o la batería, y la garantía será invalidada.**

2. Coloque la caja de la batería a unos 1,83 m del sumidero y de un tomacorrientes de 115 VCA. El tomacorrientes debe tener un dispositivo automático contra cortocircuitos. El área debe estar limpia, seca y bien ventilada.
3. Conecte el interruptor/ flotante, la bomba y el cargador a la caja de controles. Las conexiones están indicadas en la caja de controles.
4. Cerciórese de que la bomba funcione adecuadamente. Para hacerlo, desconecte la bomba principal y llene el sumidero de agua. Si la bomba funciona adecuadamente, conecte el cargador al tomacorrientes con el dispositivo contra cortocircuitos, para comenzar a cargar la batería.
5. Proteja el cordón eléctrico contra objetos afilados, superficies calientes, aceite y químicos. Evite

que el cordón se enrolle y reemplace las piezas dañadas inmediatamente.

## Funcionamiento

### PELIGRO



**Siempre desconecte la unidad de la fuente de energía antes de intentar instalar, dar servicio, reubicar o darle mantenimiento a la bomba. Nunca toque la bomba para sumideros, el motor de la bomba, el agua o la tubería de descarga cuando la bomba esté conectada al tomacorrientes. Nunca manipule una bomba o motor de bomba con las manos mojadas, o estando parado sobre una superficie mojada o húmeda o sobre el agua. Puede ocurrir un choque eléctrico de consecuencias fatales.**

### PELIGRO



**Hay riesgo de descarga eléctrica! Use un tomacorriente con interruptor de circuito de pérdida a tierra para reducir el riesgo de un choque eléctrico de consecuencias fatales.**

**El cortar el cordón o el enchufe invalidará la garantía y no permitirá que la bomba funcione.**

1. Luego de la instalación, la bomba de respaldo comenzará a funcionar cuando el nivel del agua sea superior a la profundidad en la que debe comenzar la bomba primaria.
2. La caja de control tiene un cargador de pulsos diseñado para acortar el tiempo de recarga de su batería y para impedir la sobrecarga. Además, la caja de control tiene un retardo de tiempo que, cuando se desconecta, evita los ciclos cortos y repetidos de la bomba. Esta característica de retardo permitirá que la bomba se encienda 20-25 segundos después de que el interruptor alcance la posición de apagado.
3. La caja de controles contiene una luz multicolor indicadora. Si se utiliza corriente alterna, la luz le

## Maintenance



### DANGER

**Always disconnect the electrical supply before attempting to install, service, relocate or perform any maintenance. If the power source is out of sight, lock and tag in the open (off) position to prevent unexpected power application. Failure to do so could result in fatal electrical shock. Only qualified electricians should repair this unit. Improper repair could result in fatal electrical shock.**

### NOTICE

Once a month, check battery condition. To check battery condition follow steps listed below:

1. Unplug the wall charger.
2. For batteries with top caps that can be removed, the electrolyte level should be checked and filled to manufacturer's specifications. The charge for each cell should be checked with a hydrometer. A specific gravity of 1.265 indicates the battery is at full charge. If the specific gravity of any of the cells varies more than .050, the battery should be replaced.

**NOTE:** An inexpensive hydrometer can be purchased at an automotive parts dealer.

3. Inspect the terminals and clamps for corrosion and tightness. Clean and tighten as required.
4. Unplug the main pump and fill sump with water until back up pump turns on. Repeat process two times to be sure pump is operating normally.
5. If pump operates normally, plug charger into wall outlet, turn on main pump. If pump fails to operate normally, see Troubleshooting guide and correct problem. Repeat step 5.

### BATTERIES

### DANGER

**Dangerous hydrogen gas can be released from batteries while charging. Sparks can ignite the gas in an enclosed space. Wear safety goggles when connecting batteries. Battery connections should be made in a well-ventilated area.**

### DANGER

**Working in the vicinity of lead acid batteries can be dangerous. Before making connections or servicing the batteries, read and follow instructions in all applicable instruction manuals. To reduce the risk of battery explosion, follow the instructions in this manual and those published by the battery manufacturer, as well as those of any other equipment used in the surrounding area.**

### WARNING

**If battery acid contacts your eye(s), flush with cold running water for 10 minutes and seek immediate medical attention. If acid contacts your skin or clothing, wash immediately with soap and water.**

### WARNING

**Never smoke or allow a spark or flame in the vicinity of the battery.**

### WARNING

**Avoid dropping metal tools on the battery posts because they may spark or short-circuit the system or battery, causing an explosion.**

Follow battery manufacturer's maintenance procedures and schedules. Be certain that the area around the batteries is well ventilated. Before servicing the batteries, blow away gasses by waving a piece of cardboard near the batteries.

**Troubleshooting Chart**

Symptom	Possible Cause(s)	Corrective Action
Pump won't run	<ol style="list-style-type: none"> <li>1. Connections not secure</li> <li>2. Low or defective battery</li> <li>3. Float switch stuck</li> </ol> <ol style="list-style-type: none"> <li>4. Defective or blown fuse</li> </ol>	<ol style="list-style-type: none"> <li>1. Check all connections</li> <li>2. Check battery and replace if low or defective</li> <li>3. Make sure nothing is interfering with operation of switch</li> </ol> <ol style="list-style-type: none"> <li>4. Check internal fuse located inside the control box. Pull the charger from the wall outlet and remove. If the fuse is blown, replace it with a 20 amp automotive type fuse</li> </ol>
Motor hums but pump won't run	<ol style="list-style-type: none"> <li>1. Defective battery</li> <li>2. Impeller is locked</li> </ol>	<ol style="list-style-type: none"> <li>1. Check battery and replace if low or defective</li> <li>2. Unplug pump, remove screen, and check to see if impeller is free to turn. If impeller is locked, remove the 7 screws on the bottom of the pump to release the housing around the impeller. Remove the obstruction. Reassemble pump and reconnect</li> </ol>
Pump runs but pumps very little or no water	<ol style="list-style-type: none"> <li>1. Check valve missing or improperly installed</li> <li>2. Obstruction in discharge pipe</li> <li>3. Discharge pipe length and/or height exceeds capacity of pump</li> <li>4. Low or defective battery</li> </ol>	<ol style="list-style-type: none"> <li>1. Check to make sure check valves installed between primary pump discharge and Backup Sump Pump are functioning properly</li> <li>2. Check for obstruction and clear if necessary</li> <li>3. If discharge is too high, a separate line may be required with a lower discharge height</li> <li>4. Check battery and replace if low or defective</li> </ol>
Pump cycles too frequently	<ol style="list-style-type: none"> <li>1. Check valve problem</li> </ol>	<ol style="list-style-type: none"> <li>1. Check to make sure check valves installed between primary pump discharge and Backup Sump Pump are functioning properly</li> </ol>

**Instalación (Continuación)**

**Método 1 (se prefiere)**

1. Coloque la ESP25 sobre una superficie sólida y nivelada en el pozo del sumidero. No coloque la bomba sobre una superficie blanda o arenosa. Las piedritas o la arena pueden dañar la bomba, causando fallas potenciales de la bomba.
2. Esta bomba tiene una descarga de 1/2 pulg. NPT (3,8 cm). Si se desea utilizar tubería de descarga de 1/4 pulg. NPT (3,2 cm), será necesario instalar un adaptador (no incluido). Las tuberías de diámetro más pequeño reducirán el flujo, la velocidad y el rendimiento de la bomba.
3. Corte una sección de 4' de 3,18 cm (1 1/4") o de 3,81 cm (1 1/2") de diámetro de un tubo de PVC rígido. Pegue el tubo de 3,18 cm (1 1/4") con cemento a un accesorio de conexión roscada. Pegue el tubo de 3,18 cm (1 1/4") con cemento al acoplador de tuberías. Adjunte la sección de 3,81 cm (1 1/2") de la tubería al adaptador de descarga del ESP25.
4. Atornille a la descarga de la bomba.

**AVISO**

*Tenga cuidado de no pelar ni cruzar las conexiones plásticas roscadas ni las válvulas de retención. No se recomienda usar mangueras flexibles. Para una instalación permanente, se requieren tuberías de PVC rígido o de metal.*

5. Coloque la bomba con la sección de tubo de PVC de 4' sobre una superficie sólida y nivelada en el pozo del sumidero, en una superficie elevada.
6. Adjunte una válvula de retención de goma (que se vende por separado) al extremo superior de la tubería de descarga. Esto permitirá que la bomba o la válvula de retención se retiren con facilidad para repararlas.

**NOTA:** Las válvulas de retención pueden colocarse directamente en la descarga de la bomba si lo desea. Sin embargo, para desarmar más fácilmente, se recomienda que las válvulas de retención se coloquen por encima del sumidero, como se muestra en la Figura 1.

El resto de la instalación de la tubería de descarga variará dependiendo de las

circunstancias individuales. Dirija la tubería de descarga hacia una pared exterior, por el camino más corto, siguiendo las técnicas de instalación sanitaria más adecuadas. Mantenga al mínimo los acodamientos porque reducen la salida de flujo de la bomba. La tubería que sale de la estructura de la construcción debe estar en declive, para que el agua no se congele en la tubería. Cuando instale la tubería de descarga separada, perforo a través de la pared exterior con el equipo de perforación adecuado. Selle el agujero para evitar que entre el agua.

**Método 2**

Si no es posible lograr una descarga separada y dedicada como en el Método 1, la bomba ESP25 puede conectarse a la tubería de descarga de la bomba que funciona con CA, instalando un conector "Y". Se requerirán dos válvulas de retención.

1. Coloque la ESP25 sobre una superficie sólida y nivelada en el pozo del sumidero. No coloque la bomba sobre una superficie blanda o arenosa. Las piedritas o la arena

pueden dañar la bomba, causando fallas potenciales de la bomba.

2. Esta bomba tiene una descarga de 1/2 pulg. NPT (3,8 cm). Si se desea utilizar tubería de descarga de 1/4 pulg. NPT (3,2 cm), será necesario instalar un adaptador (no incluido). Las tuberías de diámetro más pequeño reducirán el flujo, la velocidad y el rendimiento de la bomba.
3. Es necesario colocar una válvula de retención tanto en la línea de descarga de la bomba de CA principal como en la de la bomba ESP25, para evitar la recirculación de agua hacia adentro del pozo del sumidero. El sistema no funcionará sin dos válvulas de retención.
4. Corte una sección de 4' de 3,2 cm (1 1/4") o de 3,81 cm (1 1/2") de diámetro de un tubo de PVC rígido. Pegue el tubo de 3,8 cm (1 1/2") con cemento a un accesorio de conexión roscada. Pegue el tubo de 3,2 cm (1 1/4") con cemento al acoplador de tuberías. Adjunte la sección de 3,2 cm (1 1/4") de la tubería al adaptador de descarga del ESP25.

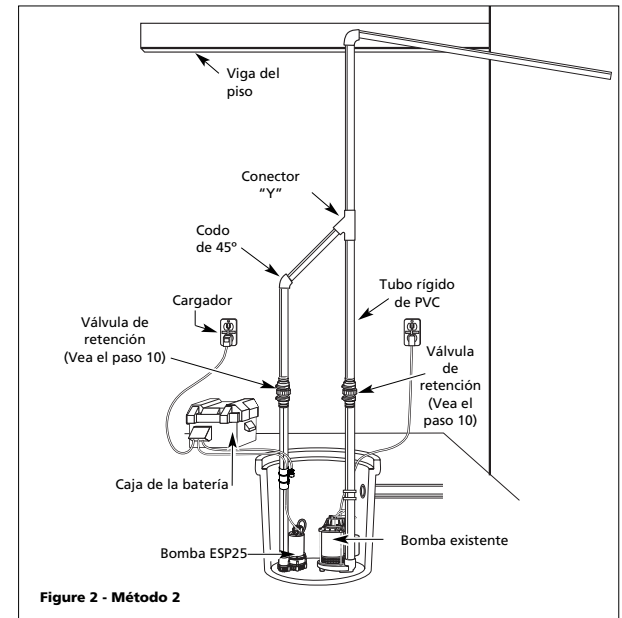


Figure 2 - Método 2

## Información sobre la batería (Continuación)

fabricantes de baterías selladas de plomo-ácido se encuentran Hawker, Panasonic, PowerSonic, Yuasa y Eagle Picher.

La caja de la batería, más grande que la batería (que se incluye), puede contener una batería SLA de 12 voltios o una batería marina de ciclo profundo de 12 voltios (hasta un tamaño de marco de 27).

Asegúrese de que el área alrededor de las baterías esté bien ventilada. Antes de reparar las baterías, aleje los gases abanicando las baterías con un trozo de cartón.

### ⚠ PELIGRO

Mientras se están cargando, las baterías pueden liberar gas hidrógeno peligroso. Las chispas pueden hacer que el gas entre en combustión en un espacio cerrado. Use gafas de seguridad cuando conecte las baterías. Las conexiones de baterías deben hacerse en un área con buena ventilación.

### ⚠ PELIGRO

Trabajar en las inmediaciones de baterías de plomo-ácido puede ser peligroso. Antes de hacer conexiones o reparar las baterías, lea y siga las instrucciones en todos los manuales de instrucciones aplicables. Para reducir el riesgo de explosión de la batería, siga las instrucciones de este manual, y aquellas publicadas por el fabricante de la batería, así como también las de cualquier otro equipo que se use en los alrededores.

Debe haber un asistente presente o lo suficientemente cerca para acudir en su ayuda en caso de emergencia. Tenga una fuente confiable de agua fresca y jabón cerca en caso de que el ácido de la batería entre en contacto con la vestimenta, la piel o los ojos.

Use protección en sus ojos y para la vestimenta cuando trabaje cerca de baterías de plomo-ácido.

Evite tocarse los ojos cuando esté trabajando cerca de baterías de plomo-ácido.

### ⚠ ADVERTENCIA

Si el ácido de la batería entra en contacto con los ojos, lave con agua corriente fría durante 10 minutos y procure atención médica de inmediato. Si el ácido entra en contacto con su piel o su vestimenta, lávese inmediatamente con agua y jabón.

### ⚠ ADVERTENCIA

Nunca fume ni deje que haya chispas ni llamas en el área próxima a la batería.

### ⚠ ADVERTENCIA

Evite dejar caer herramientas de metal sobre los bornes de la batería, porque pueden causar chispas o un cortocircuito en el sistema o en la batería, provocando una explosión.

## Instalación

### AVISO

La instalación de esta bomba podría tomarle varias horas. Antes de desconectar temporalmente la bomba principal, cerciórese de tener un plan para drenar el sumidero en caso de emergencia.

1. Desconecte la corriente que va a la bomba principal.
2. La bomba debe instalarse utilizando una tubería rígida de PVC de 3,2 cm (1 1/4") ó 3,8 cm (1 1/2").

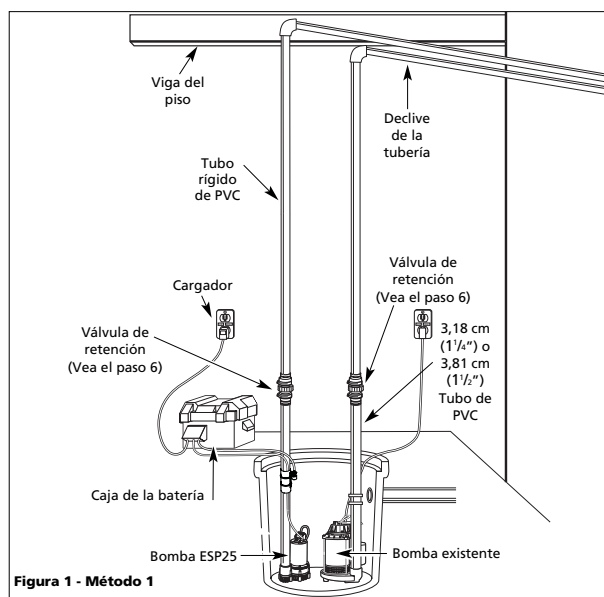
### Instalación de la bomba

La ESP25 puede instalarse como un sistema de respaldo con una línea de descarga dedicada separada (Método 1), o conjuntamente con una línea de bombeo de sumidero ya existente (Método 2, página 3 Sp).

### ⚠ PELIGRO

Desconecte la bomba de CA existente. Si no respeta esta advertencia puede provocar un choque eléctrico mortal.

1. Verifique que la bomba de CA existente esté funcionando bien. Si el estado de la bomba de CA es cuestionable, generalmente se recomienda reemplazar la unidad con una bomba de 1/3 ó 1/2 HP.
2. Retire todo sedimento o residuo acumulado del pozo del sumidero y los alrededores.



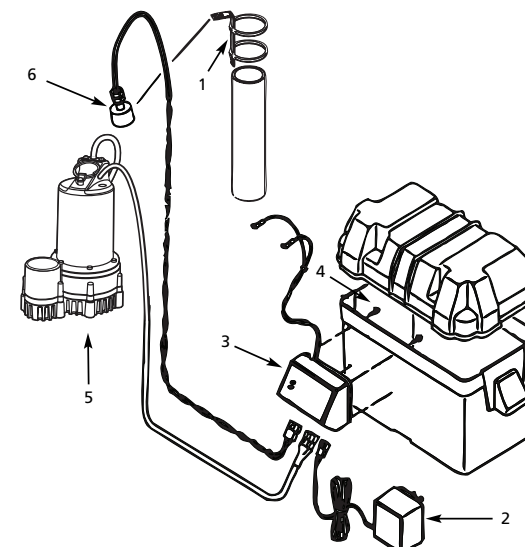
## For Replacement Parts, call 1-800-237-0987

Please provide following information:

- Model number
- Serial number (if any)
- Part descriptions and number as shown in parts list

Address parts correspondence to:

Wayne Water Systems  
101 Production Drive  
Harrison, OH 45030 U.S.A.



Ref. No.	Description	Part Number	Qty.
1	Bracket	46049-001	1
2	Charger	30221-001	1
3	Control box	30222-002	1
4	Screw - control box	16119-002	4
5	Pump	58324-001	1
6	Float switch	30033-001	1

### Limited Warranty

For two years from the date of purchase, Wayne Water Systems ("Wayne") will repair or replace, at its option, for the original purchaser any part or parts of its Sump Pumps or Water Pumps ("Product") found upon examination by Wayne to be defective in materials or workmanship. Please call Wayne (800-237-0987) for instructions or see your dealer. Be prepared to provide the model and serial number when exercising this warranty. All transportation charges on Products or parts submitted for repair or replacement must be paid by purchaser.

This Limited Warranty does not cover Products which have been damaged as a result of accident, abuse, misuse, neglect, improper installation, improper maintenance, or failure to operate in accordance with Wayne's written instructions.

**THERE IS NO OTHER EXPRESS WARRANTY. IMPLIED WARRANTIES, INCLUDING THOSE OF MERCHANTABILITY AND FITNESS FOR A PARTICULAR PURPOSE, ARE LIMITED TO TWO YEARS FROM THE DATE OF PURCHASE. THIS IS THE EXCLUSIVE REMEDY AND ANY LIABILITY FOR ANY AND ALL INDIRECT OR CONSEQUENTIAL DAMAGES OR EXPENSES WHATSOEVER IS EXCLUDED.**

Some states do not allow limitations on how long an implied warranty lasts, or do not allow the exclusions or limitations of incidental or consequential damages, so the above limitations might not apply to you. This limited warranty gives you specific legal rights, and you may also have other legal rights which vary from state to state.

In no event, whether as a result of breach of contract warranty, tort (including negligence) or otherwise, shall Wayne or its suppliers be liable for any special, consequential, incidental or penal damages including, but not limited to loss of profit or revenues, loss of use of the products or any associated equipment, damage to associated equipment, cost of capital, cost of substitute products, facilities, services or replacement power, downtime costs, or claims of buyer's customers for such damages.

You **MUST** retain your purchase receipt along with this form. In the event you need to exercise a warranty claim, you **MUST** send a **copy** of the purchase receipt along with the material or correspondence. Please call Wayne (800-237-0987) for return authorization and instructions.

**DO NOT MAIL THIS FORM TO WAYNE.** Use this form only to maintain your records.

MODEL NO. \_\_\_\_\_ SERIAL NO. \_\_\_\_\_ INSTALLATION DATE \_\_\_\_\_

**ATTACH YOUR RECEIPT HERE**

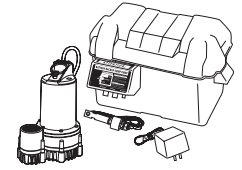
## Manual de Instrucciones de Operación y Piezas

ESP25

Sírvase leer y conservar estas instrucciones. Léalas con cuidado antes de intentar armar, instalar, operar o efectuar mantenimiento al producto descrito. Protéjase a sí mismo y a los demás observando la información de seguridad. El no cumplir con estas instrucciones podría provocar lesiones personales y/o daños materiales. Conserve estas instrucciones para futura referencia.



# Bomba de respaldo para sumideros



### Descripción

La ESP25 es una bomba auxiliar para sumideros que funciona con batería. No reemplaza a una bomba regular. Está diseñada para proporcionar protección en el caso de falla de energía eléctrica doméstica.

### Desempacar

Revise esta unidad antes de usarla. A veces, el producto puede sufrir daños durante el transporte. Si la bomba u otras piezas se han dañado, devuelva la unidad al lugar donde ha sido comprada para que la sustituyan. De no hacer eso, se pueden producir serios daños o la muerte.

### Medidas de Seguridad

Este manual contiene información que es muy importante conocer y comprender. Esta información se proporciona con fines de SEGURIDAD y para EVITAR PROBLEMAS CON EL EQUIPO. Para ayudarlo a reconocer esta información, observe los siguientes símbolos:

#### ⚠ PELIGRO

Esto le indica una situación de riesgo inminente la cual, si no se evita, puede ocasionar la muerte o graves lesiones.

#### ⚠ ADVERTENCIA

Esto le indica una situación potencialmente peligrosa, la cual, si no se evita, podría ocasionarle la muerte o lesiones graves.

#### ⚠ PRECAUCION

Esto le indica una situación potencialmente peligrosa, la cual, si

no se evita, podría provocarle lesiones menores o moderadas.

#### ⚠ AVISO

Esto le indica información importante la cual, si no se cumple, puede ocasionar daño al equipo.

### Informaciones Generales de Seguridad

#### ⚠ PELIGRO



No use la bomba para bombear fluidos inflamables o explosivos tales como gasolina, combustibles, keroseno, etc. No use el equipo en un ambiente inflamable y/o explosivo. La bomba debe usarse sólo para bombear agua limpia, de lo contrario, podría provocar lesiones fatales y/o daños materiales.

#### ⚠ PELIGRO



Si hay presencia de agua o humedad en el sótano, no camine sobre la superficie mojada hasta que haya desconectado toda la energía eléctrica. Si la caja de interruptores está situada en el sótano, llame a un electricista. Retire la bomba y repárela o reemplácela. Si no cumple con esta advertencia, podría provocar un choque eléctrico de consecuencias fatales.

#### ⚠ ADVERTENCIA

Todas las conexiones de cables deben ser realizadas por un electricista calificado.

#### ⚠ ADVERTENCIA



No exponga la batería al contacto de chispas o llamas ya que podría provocar una explosión o un incendio.

#### ⚠ ADVERTENCIA



El ácido de la batería es corrosivo. Evite derramarlo sobre la piel o ropa. Al manipular la batería, debe protegerse los ojos.

#### ⚠ ADVERTENCIA

Debe utilizar una válvula de chequeo en el orificio de descarga de la bomba principal para bombear.

#### ⚠ ADVERTENCIA

Se requiere un interruptor con dispositivo para desconexión automática en caso de fallas.

#### ⚠ AVISO

Esta bomba sólo debe usarse para bombear aguas limpias. Esta bomba no está diseñada para bombear efluentes, agua salada, salmuera, agua con detergentes o en ningún otro líquido que contenga químicos causticos y/o residuos y partículas. Esto le ocasionaría daños a la bomba y cancelar la garantía.

### Información sobre la batería

El sistema está diseñado para funcionar de la manera más eficiente con baterías selladas de plomo-ácido (SLA). También pueden usarse baterías marinas de ciclo profundo y de tipo automotriz.

Las baterías selladas de plomo-ácido cuestan un poco más, pero también duran más tiempo. Entre los

RECORDATORIO: ¡Guarde su comprobante de compra con fecha para fines de la garantía! Adjúntela a este manual o archívela en lugar seguro.

**Garantie Limitée**

Pendant deux ans à compter de la date d'achat Wayne Water Systems ("Wayne") va réparer ou remplacer, à sa discrétion, pour l'acheteur original toute pièce ou pièces, de ces Pompes De Puisard ou Pompes À Eau ("Produit") déterminées défectueuses, par Wayne, soit pour les matériaux ou la fabrication. Veuillez appeler Wayne (800-237-0987) pour des instructions ou contacter votre marchand. S'assurer d'avoir, à sa disposition, le numéro du modèle afin d'effectuer cette garantie. Les frais de transport des Produits ou pièces soumis pour leur réparation ou leur remplacement sont la responsabilité de l'acheteur.

Cette Garantie Limitée ne couvre pas les Produits qui se sont fait endommagés suite à un accident, une utilisation abusive, un mauvais usage, de la négligence, une mauvaise installation, un mauvais entretien, ou une utilisation non conforme aux instructions écrites de Wayne

**IL N'EXISTE AUCUNE AUTRE GARANTIE OU DÉCLARATION. LES GARANTIES EXPRESSES, Y COMPRIS CELLES DE COMMERCIALISABILITÉ ET D'ADAPTATION À UNE FONCTION PARTICULIÈRE, SONT LIMITÉES À DEUX ANS À COMPTER DE LA DATE D'ACHAT. CECI EST LE SEUL RECOURS EXCLUSIF ET TOUTE AUTRE RESPONSABILITÉ POUR TOUT AUTRE DOMMAGE QUELCONQUE INDIRECT OU DÉPENSES QUELCONQUES SONT EXCLUS.**

Certaines Provinces n'autorisent pas de limites de durée pour les garanties implicites, ni l'exclusion ni la limite des dommages fortuits ou indirects. Les limites précédentes peuvent donc ne pas s'appliquer. Cette garantie limitée donne à l'acheteur, des droits légaux précis, et vous pouvez avoir d'autres droits légaux qui varient d'une Province ou d'un État à l'autre.

En aucun cas, soit par suite d'une rupture de contrat de garantie, acte dommageable (y compris la négligence) ou autrement, ni Wayne ni ses fournisseurs ne seront tenus responsables pour aucun dommage spécial, indirect ou pénal, y compris, mais sans s'y limiter la perte de profits ou recettes, la perte d'usage des produits ou n'importe quel équipement associé, dommage à l'équipement associé, coût de capital, coût de produits remplaçants, aménagements, services ou capacité de remplacement, coût de temps que le produit n'est pas en service, ou réclamation des clients de l'acheteur pour ces dommages.

Vous **DEVEZ** garder votre reçu d'achat avec ce bulletin. Il est **NÉCESSAIRE** d'envoyer une **copie** du reçu d'achat avec le produit ou la correspondance afin d'effectuer une réclamation sous la garantie. Veuillez appeler Wayne (800-237-0987) pour l'autorisation et les instructions concernant le renvoi.

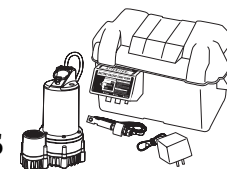
**NE PAS ENVOYER, PAR LA POSTE, CE BULLETIN À WAYNE.** Utiliser ce bulletin seulement pour vos archives.

N° DU MODÈLE \_\_\_\_\_ N° DE SÉRIE \_\_\_\_\_ DATE D'INSTALLATION \_\_\_\_\_  
FIXER VOTRE FACTURE ICI

*S'il vous plaît lire et conserver ces instructions. Lire attentivement avant de monter, installer, utiliser ou de procéder à l'entretien du produit décrit. Se protéger ainsi que les autres en observant toutes les instructions de sécurité, sinon, il y a risque de blessure et/ou dégâts matériels! Conserver ces instructions comme référence.*



## Pompe de vidange de secours 12 volts

**Description**

Le modèle ESP25 est une pompe de puisard de sauvegarde actionnée par piles. Elle ne remplace pas une pompe régulière. Elle est conçue pour fournir la protection contre les pannes d'électricité domestiques.

**Déballage**

Vérifier cette unité avant l'utilisation. Parfois, un produit peut être endommagé pendant le transport. Si la pompe ou d'autres pièces ont subi de dommages, retourner l'unité à l'endroit d'achat pour son remplacement. Sinon, cela pourrait mener à des blessures graves ou la mort.

**Directives de Sécurité**

Ce manuel contient de l'information très importante qui est fournie pour la SÉCURITÉ et pour ÉVITER LES PROBLÈMES D'ÉQUIPEMENT. Rechercher les symboles suivants pour cette information.

**⚠ DANGER**

*Danger indique une situation hasardeuse imminente qui résultera en perte de vie ou blessures graves.*

**⚠ AVERTISSEMENT**

*Avertissement indique une situation hasardeuse potentielle qui peut résulter en perte de vie ou blessures graves.*

**⚠ ATTENTION**

*Attention indique une situation hasardeuse potentielle qui peut résulter en blessures.*

**AVIS**

*Avis indique l'information importante pour éviter le dommage de l'équipement.*

**Généralités sur la Sécurité****⚠ DANGER**

*Ne pas pomper les fluides explosifs tels que l'essence, l'huile à chauffage, le kérosène etc. Ne pas utiliser dans un atmosphère inflammable et/ou explosif. La pompe devrait être utilisée pour le pompage de l'eau claire seulement, sinon, il y a risque de blessures personnelles et/ou dégâts matériels.*

**⚠ DANGER**

*Ne pas marcher sur un plancher de sous-sol trempé ou humide avant de couper l'électricité. Si la boîte de branchement est dans le sous-sol, contacter un électricien. Enlever la pompe et la réparer ou remplacer. Manque de suivre cet avertissement peut résulter en secousse électrique mortelle.*

**⚠ AVERTISSEMENT**

*Toute installation de fils doit être effectuée par un électricien qualifié.*

**⚠ AVERTISSEMENT**

*Ne pas exposer la pile à des étincelles ou des flammes. Une explosion ou un feu peut y résulter.*

**⚠ AVERTISSEMENT**

*L'acide de pile est corrosive. Ne pas le renverser sur la peau ni sur les vêtements. Porter de la protection oculaire lorsque vous manipulez la pile.*

**⚠ AVERTISSEMENT**

*Un clapet doit être utilisé sur le décharge de la pompe de puisard principale.*

**⚠ AVERTISSEMENT**

*Un interrupteur pour protéger contre un défaut de mise à la terre (DDFT) est exigé.*

**AVIS**

*Cette pompe est conçue pour le pompage de l'eau claire seulement. Cette pompe n'est pas conçue pour les substances qui contiennent les produits chimiques caustiques et/ou les matières étrangères tels que l'eau salée, la saumure, le décharge de buanderie. L'utilisation de ces produits pourra endommager la pompe et niera la garantie.*

**Information sur la batterie**

Le système est conçu pour fonctionner plus efficacement avec des batteries sans entretien. On peut aussi utiliser des batteries de styles automobiles ou marine à décharge poussée.

Les batteries sans entretien coûtent un peu plus, mais durent plus longtemps. Voici certains fabricants de batteries sans entretien : Hawker, Panasonic, PowerSonic, Yuasa et Eagle Picher.

Le boîtier de batterie surdimensionné (inclus) convient pour une batterie sans entretien de 12 volts ou une batterie

**MÉMENTO:** Gardez votre preuve datée d'achat à fin de la garantie!  
Joignez-la à ce manuel ou classez-la dans un dossier pour plus de sécurité.

## Information sur la batterie (Suite)

marine à décharge poussée de 12 volts (jusqu'à une taille de cadre 27). Il faut s'assurer que la section autour des batteries soit bien ventilée. Avant de faire l'entretien des batteries, souffler les gaz autour des batteries à l'aide d'un carton utilisé comme éventail.

### ⚠ DANGER

**Du gaz d'hydrogène peut être dégagé des batteries en chargeant. Des étincelles peuvent enflammer le gaz dans un espace restreint. Porter des lunettes de sécurité en connectant les batteries. Les connexions des batteries doivent être faites dans un endroit bien ventilé.**

### ⚠ DANGER

**Travailler près de batteries au plomb peut être dangereux. Avant de faire des connexions ou de réparer les batteries, lire et suivre les instructions de tous les manuels d'instructions applicables. Pour réduire les risques d'explosion de batteries, suivre les instructions contenues dans ce manuel et celles publiées par le fabricant de batteries en plus de ceux de tout autre équipement utilisé dans les environs.**

Un assistant devrait être présent ou assez prêt pour vous aider en cas d'urgence. Prévoir une source d'eau fraîche et de savon fiable à portée de la main en cas de contact de l'acide des batteries avec les vêtements, la peau ou les yeux.

Porter une protection pour les yeux et les vêtements en travaillant près de batteries au plomb.

Éviter de toucher vos yeux en travaillant autour de batteries au plomb.

### ⚠ AVERTISSEMENT

**Si l'acide des batteries entre en contact avec les yeux, rincer à l'eau froide pendant 10 minutes et consulter immédiatement un médecin. Si l'acide entre en contact avec la peau ou les vêtements, laver immédiatement avec de l'eau et du savon.**

### ⚠ AVERTISSEMENT

**Ne jamais fumer ou laisser une étincelle ou une flamme près de la batterie.**

### ⚠ AVERTISSEMENT

**Éviter de laisser tomber des outils de métal sur les bornes de batteries car cela pourrait provoquer une étincelle ou un court-circuit du système ou de la batterie provoquant une explosion.**

## Montage

### AVIS

**L'installation de ce modèle pourrait durer plusieurs heures. Vous devez d'avoir une méthode alternative fiable disponible pour vider le puisard après le démontage de la pompe principale.**

1. Couper la puissance à la pompe principale.
2. Installer la pompe en utilisant de la tuyauterie rigide CPV 1 1/4 po ou 1 1/2 po

### Installation de la pompe

Le ESP25 peut être installé comme système de secours avec une conduite de décharge distincte (Méthode 1) ou relié à une conduite de pompe de vidange (Méthode 2, page 3 fr).

### ⚠ DANGER

**Débrancher la pompe de c.a. actuelle. Ne pas suivre cet avertissement pourrait mener à un choc électrique mortel.**

1. Vérifier que la pompe de c.a. actuelle soit en bon état. Si la pompe de c.a. est dans un état douteux, il est recommandé normalement de la remplacer avec une pompe de 1/3 ou de 1/2 HP.
2. Retirer tout débris accumulé ou vase des environs et du puisard.

### Méthode 1 (de choix)

1. Placer la ESP25 sur une surface solide, à niveau dans le puisard. Ne pas placer la pompe sur une surface meuble ou de sable. De petites pierres ou le sable peuvent endommager la pompe menant à une défaillance de pompe possible.
2. Cette pompe a une décharge de 3,8 cm (1 1/4 po NPT). Pour utiliser un tuyau de décharge de 3,2 cm (1 1/4 po NPT), il faudra installer un

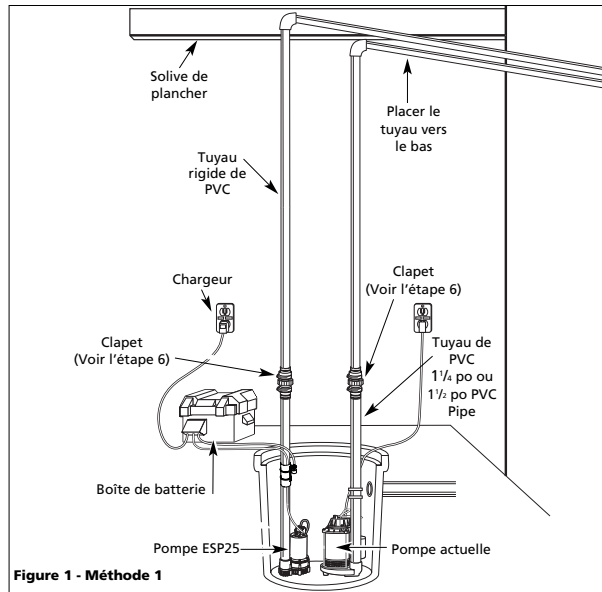


Figure 1 - Méthode 1

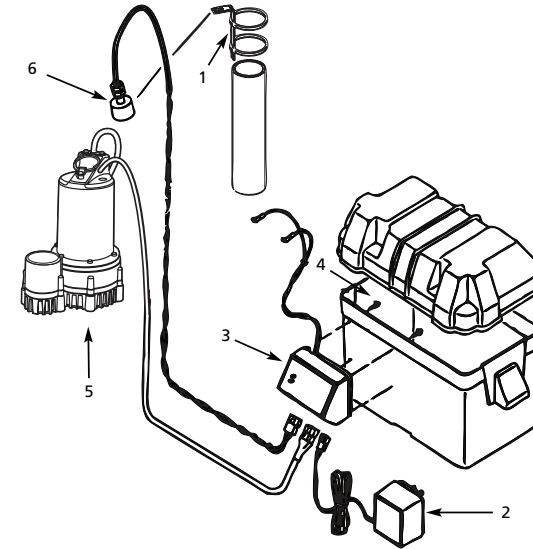
## Pour pièces de rechange, composer 1-800-237-0987

S'il vous plaît fournir l'information suivante:

- Numéro du Modèle
- Numéro de Série (si présent)
- Description et numéro de la pièce

Correspondance:

Wayne Water Systems  
101 Production Drive  
Harrison, OH 45030 U.S.A.



No. de Réf.	Description	Numéro de pièce	Qté
1	Sangle	46049-001	1
2	Chargeur	30221-001	1
3	Boîte de contrôle	30222-002	1
4	Vis - boîte de contrôle	16119-002	4
5	Pompe	58324-001	1
6	Interrupteur flotteur	30033-001	1

## Guide de Dépannage

Symptôme	Cause(s) Possible(s)	Mesures Correctives
Pompe ne fonctionne pas	1. Raccords ne sont pas sûrs 2. Batterie faible ou défectueuse 3. Interrupteur à flotteur coincé  4. Fusible défectueux ou sauté	1. Vérifier tous les raccords 2. Vérifier la batterie et la remplacer si faible ou défectueuse 3. S'assurer que rien n'enlève le fonctionnement de l'interrupteur.  4. Vérifier le fusible interne dans la boîte de contrôle. Débrancher le chargeur de la prise du mur et l'enlever. Si le fusible est sauté, le remplacer avec un fusible d'automobile de 20 A
Moteur ronron mais la pompe ne fonctionne pas	1. Batterie défectueuse 2. Turbine coincée	1. Vérifier la batterie et la remplacer si faible ou défectueuse 2. Débrancher la pompe, retirer le tamis et vérifier si la turbine fonctionne librement. Si la turbine est verrouillée, retirer les 7 vis au bas de la pompe pour dégager le boîtier autour de la turbine. Retirer l'obstruction. Remonter la pompe et rebrancher
La pompe fonctionne mais refoule peu ou pas d'eau	1. Clapet manquant ou mal-installé 2. Engorgement dans le tuyau de décharge 3. Longueur et/ou hauteur du tuyau de décharge dépasse la capacité de la pompe 4. Batterie faible ou défectueuse	1. Vérifier pour s'assurer que les clapets installés entre la décharge de pompe principale et la pompe de décharge fonctionnent correctement. 2. Vérifier pour un engorgement et l'enlever si nécessaire 3. Si le décharge est trop haut, une ligne séparée avec une hauteur de décharge plus basse peut être nécessaire 4. Vérifier la batterie et la remplacer si faible ou défectueuse
Pompe cycle à maintes reprises	1. Vérifier le problème de clapet	1. Vérifier pour s'assurer que les clapets installés entre la décharge de pompe principale et la pompe de décharge de secours fonctionnent correctement.

## Montage (Suite)

- adaptateur (non inclus). Un tuyau d'un plus petit diamètre réduira l'écoulement, le débit et la performance de la pompe.
- Couper une section de 1,2 m (4 pi) de tuyau rigide de PVC de 3,2 cm (1 1/4 po) ou 3,8 cm (1 1/2 po). Cimenter un tuyau de 3,8 cm (1 1/2 po) à un raccord fileté. Cimenter un tuyau de 3,2 cm (1 1/4 po) dans le raccord de tuyau. Fixer une section de 3,2 cm (1 1/4 po) de tuyau à l'adaptateur de décharge ESP25.
  - Visser sur la décharge de la pompe.

## AVIS

**Attention de ne pas dénuder ou fausser le filetage des raccords de plastique ou les clapets. Un boyau flexible n'est pas recommandé. Pour une installation permanente, il faut un tuyau de métal ou de PVC rigide.**

- Placer la pompe avec la section de 1,2 m (4 pi) de tuyau PVC sur une surface solide et à niveau dans le puisard sur une surface élevée.
- Fixer un clapet de caoutchouc (vendu séparément) sur le dessus du tuyau de décharge. Ceci permettra de retirer facilement la pompe ou le clapet pour l'entretien ou la réparation

**NOTE :** Vérifier que les soupapes peuvent être placées directement dans la décharge de la pompe s'il y a lieu. Il est toutefois recommandé pour faciliter le démontage de placer les clapets au-dessus du puisard tel qu'illustré dans la figure 1.

Le reste de l'installation de tuyau de décharge peut varier selon les circonstances individuelles. Acheminer le tuyau de décharge vers un mur extérieur en choisissant le parcours le plus court et en utilisant de solides pratiques de plomberie. Réduire les tournants au minimum car cela réduit l'écoulement de sortie de la pompe. Le tuyau qui sort de la structure de l'édifice devrait être en pente vers le bas pour que l'eau ne gèle pas dans le tuyau.

En installant le tuyau de décharge distinct, percer dans le mur extérieur avec l'équipement de perçage approprié. Sceller le trou pour éviter que l'eau n'y pénètre.

## Méthode 2

S'il n'est pas possible d'utiliser une décharge distincte réservée comme pour la méthode 1, la pompe ESP25 peut être attachée au tuyau de décharge de la pompe à c.a. en installant un raccord en "Y". Il faudra alors deux clapets.

- Placer la ESP25 sur une surface solide et à niveau dans le puisard. Ne pas placer la pompe sur une surface meuble ou de sable. De petites pierres ou le sable peuvent endommager la pompe menant à une défaillance de pompe possible.
- Cette pompe a une décharge de 3,8 cm (1 1/2 po NPT). Pour utiliser un tuyau de décharge de 3,2 cm (1 1/4 po NPT), il faudra installer un adaptateur (non inclus). Un tuyau d'un plus petit diamètre réduira l'écoulement, le débit et la performance de la pompe.

- Il faudra un clapet à LA FOIS dans la conduite de décharge de la pompe principale c.a. et dans la pompe ESP25 pour éviter la recirculation de l'eau dans le puisard. Le système ne fonctionnera pas dans deux clapets.
- Couper une section de 1,2 m (4 pi) de tuyau rigide de PVC de 3,2 cm (1 1/4 po) ou 3,8 cm (1 1/2 po). Cimenter un tuyau de 3,8 cm (1 1/2 po) à un raccord fileté. Cimenter un tuyau de 3,2 cm (1 1/4 po) dans le raccord de tuyau. Fixer une section de 3,2 cm (1 1/4 po) de tuyau à l'adaptateur de décharge ESP25.
- Visser sur la décharge de la pompe.

## AVIS

**Attention de ne pas dénuder ou fausser le filetage des raccords de plastique ou les clapets. Un boyau flexible n'est pas recommandé. Pour une installation permanente, il faut un tuyau de métal ou de PVC rigide.**

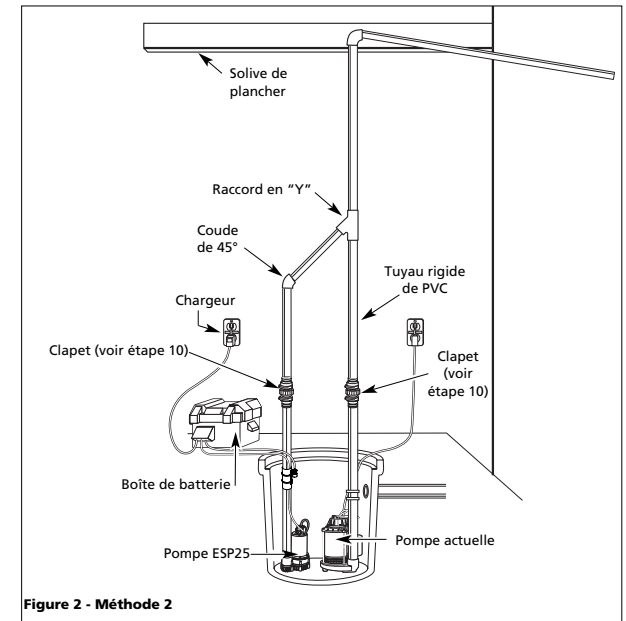


Figure 2 - Méthode 2

## Montage (Suite)

- Placer la pompe avec la section de 1,2 m (4 pi) de tuyau PVC sur le sol du puisard ou sur une surface élevée, au besoin.
- Fixer un clapet de caoutchouc (vendu séparément) sur le dessus du tuyau de décharge. Ceci permettra de retirer facilement la pompe ou le clapet pour l'entretien ou la réparation.
- Reproduire la configuration de la tuyauterie de décharge pour la pompe principale c.a. si la conduite actuelle doit être ajustée pour accommoder une seconde pompe.
- Coller un coude de 45° au tuyau court de la pompe ESP25. Coller un raccord en 'Y' au tuyau court sur la pompe actuelle, tel qu'indiqué dans l'illustration pour la méthode 2.
- Coller une petite pièce de tuyau de PVC entre le coude de 45° et le raccord en 'Y'.

**NOTE :** Vérifier que les soupapes peuvent être placées directement dans la décharge de la pompe s'il y a lieu. Il est toutefois recommandé pour faciliter le démontage de placer les clapets au-dessus du puisard tel qu'illustré dans la figure 2.

Le reste de l'installation de tuyau de décharge peut varier selon les circonstances individuelles. Acheminer le tuyau de décharge vers un mur extérieur en choisissant le parcours le plus court et en utilisant de solides pratiques de plomberie.

### Méthodes 1 et 2

Installer l'interrupteur à flotteur à au moins 10 po à 12 po (25 à 31 cm) au-dessus du bas du puisard pour que l'unité de secours se mette en marche plus élevé que le niveau normal "on" (MARCHE) pour la pompe principale. Utiliser les attaches métalliques fournies pour fixer l'interrupteur au tuyau de décharge. S'assurer que les fils d'alimentation n'entravent pas le fonctionnement de l'interrupteur à flotteur, l'entrée de la pompe ou la pompe principale. La pompe de secours ne doit pas fonctionner à sec.

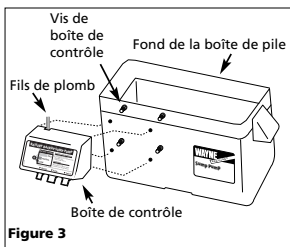


Figure 3

- Installation de la boîte de contrôle**
- Fixer la boîte de contrôle au côté de la boîte de batterie tel qu'indiqué dans la Figure 3. Placer la batterie dans la boîte, brancher le câble rouge à la borne positive de la pile et le câble noir à la borne négative. Mettre le couvercle sur la boîte.

### ATTENTION

**Si les câbles sont renversés, le dommage à la boîte de contrôle ou à la pile peut résulter et niera la garantie.**

- Placer la boîte de pile à moins de 1,83 m du puisard et d'une prise de courant de 115 V.c.a. (fusible séparé). La prise de courant doit être protégée d'un interrupteur qui protège contre un dérangement dû à une mise accidentelle à la terre (DDFT). L'endroit doit être propre, sec et bien aéré.
- Brancher l'interrupteur flotteur, la pompe, et le chargeur dans la boîte de contrôle. (Connexions indiquées sur la boîte).
- Faire l'essai de la pompe en remplissant le puisard d'eau pendant que la pompe principale est débranchée. Si la pompe fonctionne correctement, brancher le chargeur dans la prise de courant DDFT pour charger la batterie.
- Protéger le cordon d'alimentation contre les objets pointus, les surfaces chaudes, l'huile, et les produits chimiques. Éviter de tortiller le cordon et remplacer toutes les pièces endommagées immédiatement.

## Fonctionnement

### DANGER



**Toujours débrancher la source de puissance avant d'essayer d'installer, de réparer, de déplacer ou de procéder à l'entretien de la pompe. Ne jamais toucher le pompe de puisard, le moteur de la pompe, l'eau ni le tuyauterie de décharge lorsque la pompe est branchée à une source d'alimentation. Ne jamais manipuler une pompe ni un moteur de pompe avec les mains trempées, ni lorsque vous êtes debouts sur une surface humide ou trempé ni dans l'eau, sinon, vous risquez une secousse électrique mortelle.**

### DANGER



**Risque de secousse électrique! Utiliser une prise DDFT afin de réduire le risque de secousse électrique mortelle.**

**Couper le cordon niera la garantie et rendra la pompe inutile.**

- Après l'installation, la pompe de secours démarrera lorsque le niveau d'eau dépasse la profondeur de démarrage de la pompe principale.
- La boîte de contrôle a un chargeur à impulsions conçu pour raccourcir le temps nécessaire pour charger la batterie, et pour éviter de la surcharger. Aussi, la boîte de contrôle a un retardateur qui empêche les cycles courts répétés lorsqu'il s'arrête. Cette fonction de surcharge permet à la pompe de fonctionner 20-25 secondes après que l'interrupteur atteint la position d'arrêt.
- La boîte de contrôle a une lampe indicatrice multicolore. Quand le courant c.a. est présent, la lampe indique l'état de charge, mais pas la tension de batterie actuelle, particulièrement avec une batterie

## Fonctionnement (Suite)

défectueuse. Suivre les étapes "a" à "d" pour une indication précise.

### DANGER



**Débrancher la pompe c.a. principale et le chargeur. Risque de choc électrique !**

- Après avoir débranché la pompe c.a. principale et le chargeur, une tonalité d'alerte hors tension se fera entendre pendant 30 secondes.
- Soulever et dégager l'interrupteur à flotteur pour activer la pompe de secours
- Quand la pompe s'arrête, vérifier la lampe d'essai:

**Vert:** Batterie chargée.

**Jaune:** Tension est basse, batterie partiellement chargée.

**Rouge:** Batterie complètement déchargée ou défectueuse.

- Brancher le chargeur et la pompe principale c.a.

Si l'alimentation c.a. est coupée et la pompe fonctionne, la lampe indicatrice indiquera l'état de la batterie.

- Un son de pépiement de la boîte de contrôle accompagnera la lampe rouge ce qui indique une batterie qui requiert l'attention ou le remplacement. La tension est le seul indicateur de la condition de la batterie pourrait indiquer une condition fautive. Se référer à la section Entretien pour les instructions pour évaluer la condition de la batterie.
- Une tonalité de trente secondes sonnera lorsque l'alimentation au système soit interrompu. Le modèle se rajustera automatiquement quand l'alimentation soit rétabli. Une tonalité de trois secondes sonnera chaque fois que la pompe se démarre.

## Entretien

### DANGER



**Toujours débrancher la source d'électricité avant d'essayer d'installer, de déplacer ou de procéder à l'entretien. Si la source de puissance est hors vue, verrouiller et étiquetter dans la position ouverte (off) pour éviter l'alimentation inattendu. Manque de suivre ces directives peut résulter en secousse électrique mortelle. Seul un électricien qualifié devrait réparer ce modèle. La réparation incorrecte peut résulter en secousse électrique mortelle.**

### AVIS

Vérifier la condition de la batterie chaque mois. Pour vérifier l'état de la batterie, suivre les étapes ci-après :

- Débrancher le chargeur du mur.
- Vérifier le niveau d'électrolyte et remplir d'après les recommandations du fabricant des batteries dont le bouchon supérieur s'enlève. Vérifier la charge de chaque cellule avec un hydromètre. Une densité spécifique de 1.265 indiquerait que la batterie est complètement chargée. Si la densité spécifique de n'importe quelle cellule varie de plus de .050, remplacer la batterie.

- REMARQUE:** Un hydromètre peu coûteux est disponible chez votre marchand de pièces d'automobile.
- Inspecter les bornes et les colliers pour la corrosion et le serrage. Nettoyer et serrer au besoin.
  - Débrancher la pompe principale et remplir le puisard d'eau jusqu'à ce que la pompe de sauvegarde se met en marche. Répéter le procédé deux fois pour s'assurer que la pompe fonctionne normalement.
  - Si la pompe fonctionne normalement, brancher le chargeur dans la prise du mur, mettre la pompe principale en marche. Si la pompe ne fonctionne pas

normalement, voir le guide de dépannage et corriger le problème. Répéter l'étape 5.

## BATTERIES

### DANGER

**Du gaz d'hydrogène peut être dégagé des batteries en chargeant. Des étincelles peuvent enflammer le gaz dans un espace restreint. Porter des lunettes de sécurité en connectant les batteries. Les connexions de batteries doivent se faire dans un endroit bien ventilé.**

### DANGER

**Travailler près de batteries au plomb peut être dangereux. Avant de faire des connexions ou de réparer les batteries, lire et suivre les instructions de tous les manuels d'instructions applicables. Pour réduire les risques d'explosion de batteries, suivre les instructions contenues dans ce manuel et celles publiées par le fabricant de batteries en plus de ceux de tout autre équipement utilisé dans les environs.**

### AVERTISSEMENT

**Si l'acide des batteries entre en contact avec les yeux, rincer à l'eau froide pendant 10 minutes et consulter immédiatement un médecin. Si l'acide entre en contact avec la peau ou les vêtements, laver immédiatement avec de l'eau et du savon.**

### AVERTISSEMENT

**Ne jamais fumer ou laisser une étincelle ou une flamme près de la batterie**

### AVERTISSEMENT

**Éviter de laisser tomber des outils de métal sur les bornes de batteries car cela pourrait provoquer une étincelle ou un court-circuit du système ou de la batterie provoquant une explosion.**

Suivre toutes les procédures et tableaux de maintenance du fabricant de batteries. Il faut s'assurer que la section autour des batteries soit bien ventilée. Avant de faire l'entretien des batteries, souffler les gaz autour des batteries à l'aide d'un carton utilisé comme éventail.