

PF92260

Automatic Sump Pumps



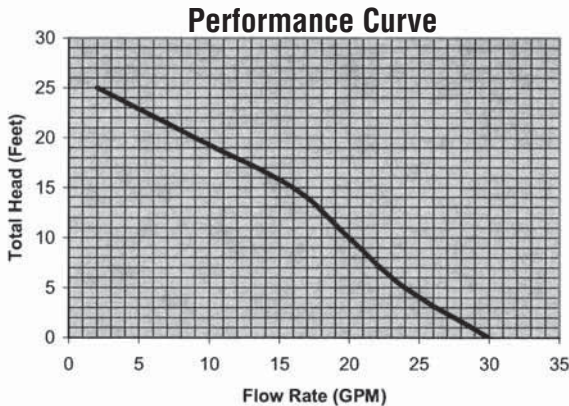
Product Features

- 1/4 HP thermoplastic automatic sump pump with vertical float
- Submersible sump pump for typical residential applications
- Comes with 10' power cord with piggyback plug (on switch cord)
- 3.8 amps, 370 watts
- Maximum head of 25 feet
- Maximum flow rate of 30 GPM
- 3450 RPM
- Permanent split capacitor motor
- SJE Rhombus vertical float switch
- Liquid temperature range 32°-120°F
- Discharge size 1-1/4" MNPT & 1-1/4" FNPT
- Handles 1/8" solids



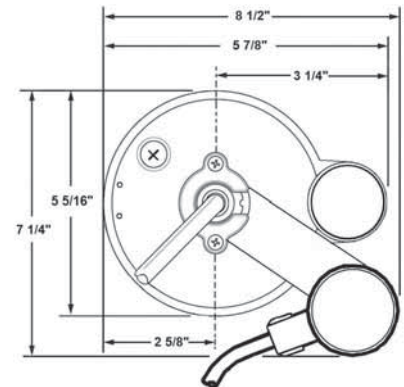
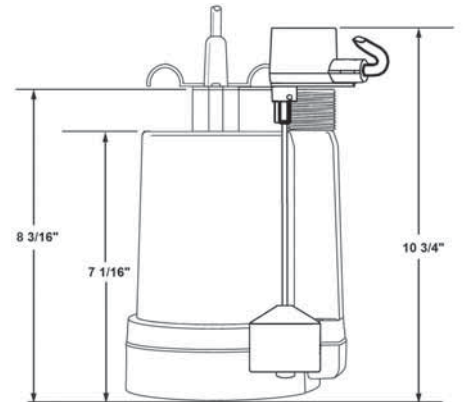
PF92260

Product Specifications



Performance Chart

Discharge Height	0'	5'	10'	15'	20'	25'
Gallons per Minute	30	22	20	16	9	2
Gallons per Hour	1800	1320	1200	960	540	120



Warranty and Codes

This product comes complete with installation, operating, care and maintenance instructions. This PROFLO pump carries a 3-year limited warranty. In an effort to continually improve our products, we will make design changes from time to time. We reserve the right to ship newly designed products to fill any order unless we agree in writing to do otherwise.

