

Product information presented here reflects conditions at time of publication. Consult factory regarding discrepancies or inconsistencies.

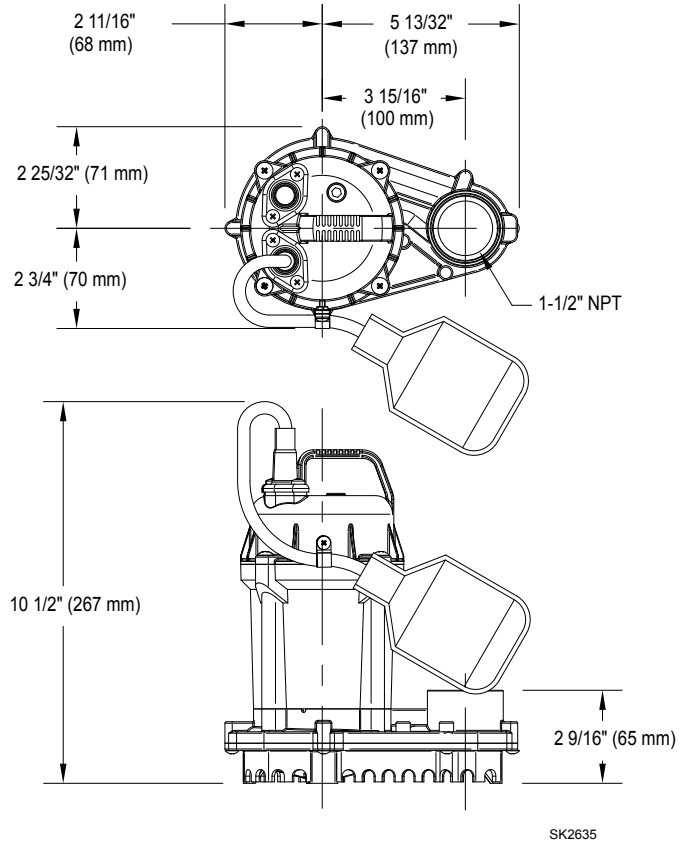
TECHNICAL DATA SHEET



Model 49 Cast Iron Submersible Sump Pump

PRODUCT SPECIFICATIONS

MOTOR	Horse Power	1/4
	Voltage	115
	Phase	1 Ph
	Hertz	60 Hz
	RPM	3450
	Type	Permanent split capacitor
	Insulation	Class B
	Amps	3.8
PUMP	Operation	Automatic
	Auto On/Off Points	11-1/4" / 4-1/8" (28.6 cm / 10.5 cm)
	Discharge Size	1-1/2" NPT
	Solids Handling	3/8" (9 mm) spherical solids
	Cord Length	9' (3 m) standard
	Cord Type	UL listed, 3-wire, grounded plug
	Max. Head	18' (5.5 m)
	Max. Flow Rate	32 GPM (121 LPM)
	Max. Operating Temp.	104° F (40° C)
	Cooling	Oil filled
	Motor Protection	Auto reset thermal overload
MATERIALS	Cap	Engineered plastic
	Motor Housing	Cast iron
	Pump Housing	Engineered plastic
	Base	Engineered plastic
	Upper Bearing	Ball bearing
	Lower Bearing	Ball bearing
	Mechanical Seals	Carbon and ceramic
	Impeller Type	Non-clogging vortex
	Impeller	Engineered plastic
	Hardware	Stainless steel
Gasket	NBR	



SK2635

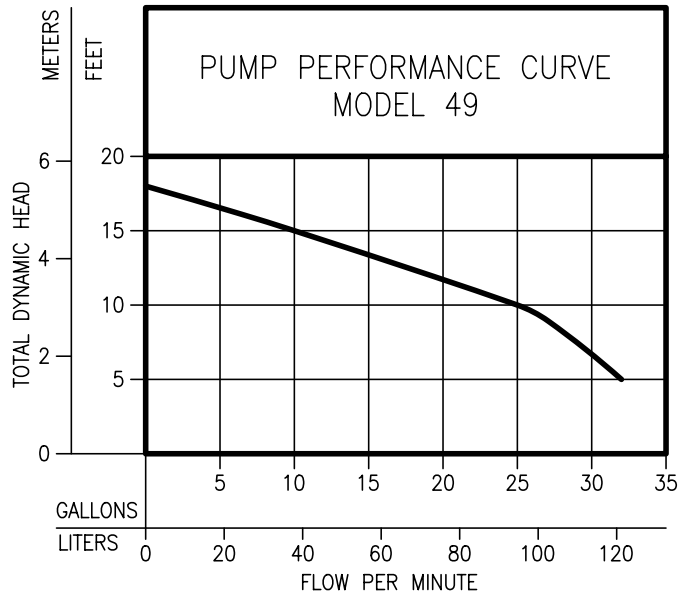
NOTE: See model comparison chart for specific details.



C 227875 US
Certified to CSA
Standard C22.2 No. 108

**TOTAL DYNAMIC HEAD
FLOW PER MINUTE**

MODEL		49	
Feet	Meters	Gal.	Liters
5	1.5	32	121
10	3.0	25	95
15	4.6	10	38
Shut-off Head:		18 ft. (5.5m)	

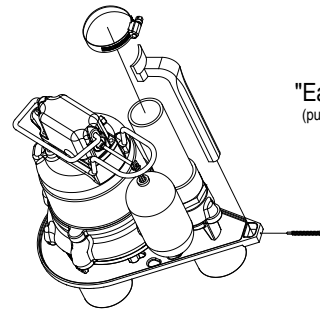


018141

Model	MODEL COMPARISON								
	Seal	Mode	Volts	Ph	Amps	HP	Hz	Lbs	Kg
WM49	Single	Auto	115	1	3.8	1/4	60	11	5

OPTIONAL PUMP STAND P/N 10-2421

- Reduces potential clogging by debris
 - Replaces rocks or bricks under the pump
 - Made of durable, noncorrosive ABS
 - Raises pump 2" (5 cm) off bottom of basin
 - Provides the ability to raise intake by adding sections of 1½" or 2" (DN40 or DN50) PVC piping
 - Attaches securely to pump
 - Accommodates sump, dewatering and effluent applications
- NOTE: Make sure float is free from obstruction.



"Easy assembly"
(pump & discharge pipe
not included.)