

Product information presented here reflects conditions at time of publication. Consult factory regarding discrepancies or inconsistencies.



PUMP COMPANY

Zoeller Family of Water Solutions™

MAIL TO: P.O. BOX 16347 • Louisville, KY 40256-0347
SHIP TO: 3649 Cane Run Road • Louisville, KY 40211-1961
(502) 778-2731 • 1 (800) 928-PUMP • FAX (502) 774-3624

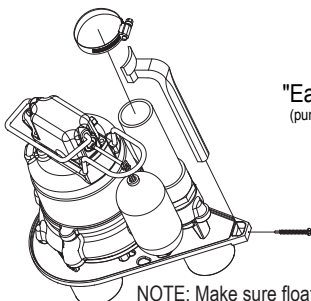
visit our web site:
www.zoeller.com

COMPARE THESE FEATURES

- 115V single phase/60 Hz, .3 HP, 3.1 Amps, 3400 RPM
- Thermal overload protection
- Non-corrosive engineered plastic motor housing, pump housing and base
- No steel sheet metal parts to rust or corrode
- All stainless steel screws, switch arm, and lower motor housing
- Oil-free
- 2-pole float operated mechanical switch
- Solid buoyant polypropylene float
- Engineered plastic impeller
- UL listed 9' cord with 3-prong plug
- Maximum temperature for dewatering 110°F (43°C).
- Passes 3/8" inch spherical solids
- 1½" NPT discharge
- Non-clogging vortex impeller
- On point— 7-3/8" • Off point— 3-5/8"
- Major width - 9-1/16" • Height - 11-13/16"

OPTIONAL PUMP STAND P/N 10-2421

- Reduces potential clogging by debris.
- Replaces rocks or bricks under the pump.
- Made of durable, noncorrosive ABS.
- Raises pump 2" off bottom of basin.
- Provides the ability to raise intake by adding sections of 1½" or 2" PVC piping.
- Attaches securely to pump.
- Accommodates sump, dewatering and effluent applications.



"Easy assembly"
(pump & discharge pipe
not included.)

NOTE: Make sure float is free from obstruction.

Model 72
(For Pump Prefix Identification
see News & Views 0052)

"AQUA-MATE"

SUBMERSIBLE PUMP

FOR

DEWATERING (SUMP)

PASSES 3/8" SPHERICAL SOLIDS

1½" NPT DISCHARGE



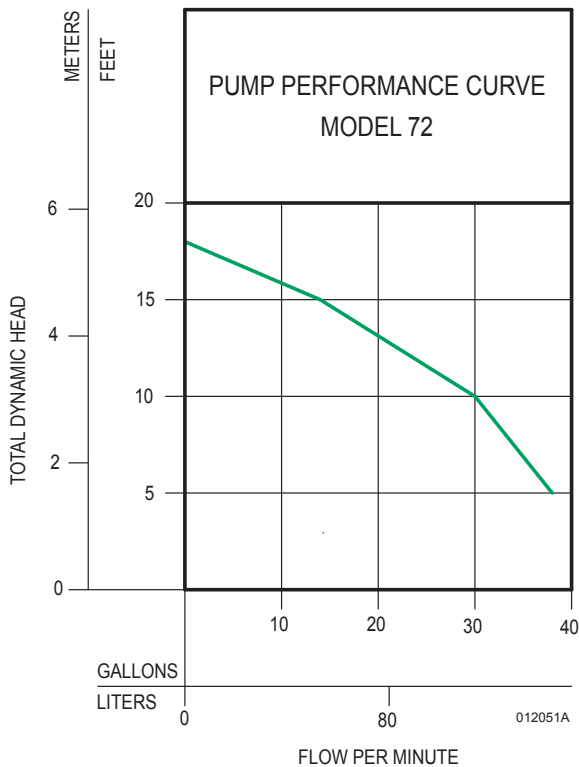
**AUTOMATIC
MODEL**



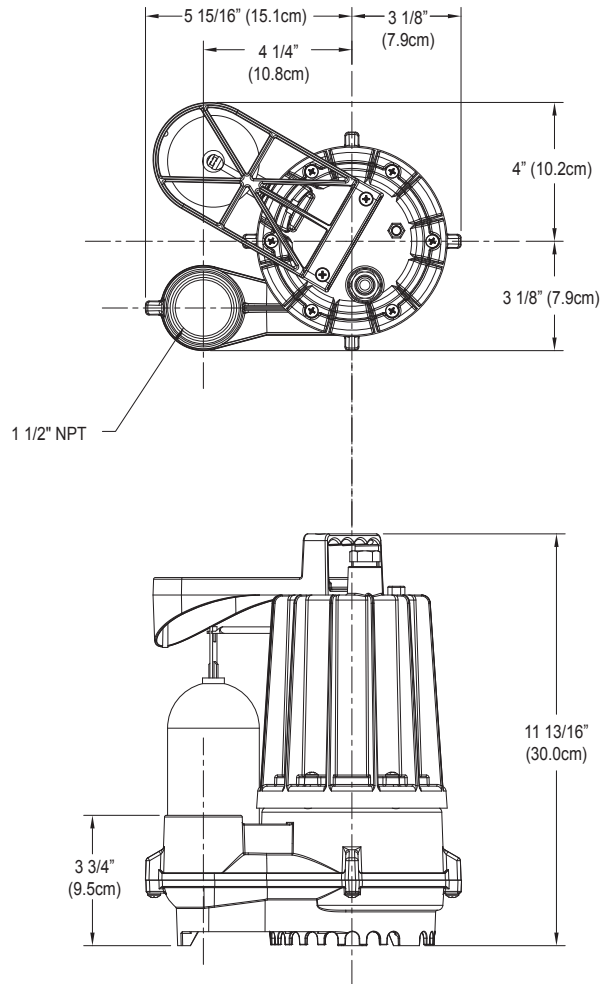
MODELS AVAILABLE

- Automatic or Nonautomatic





MODEL		72	
Feet	Meters	Gal.	Liters
5	1.5	38	144
10	3.0	30	114
15	4.6	14	53
Shut-off Head:		18 ft. (5.5 m)	



CONSULT FACTORY FOR SPECIAL APPLICATIONS

- Variable level float switches available
- Variable level long cycle systems available
- Alarm systems available
- Duplex systems available

Single Seal	Control Selection			
Model	Volts - Ph	Mode	Amps	Simplex
M72	115 1	Auto	3.1	1
N72	115 1	NonAuto	3.1	2
BN72	115 1	Auto	3.1	*

*Single piggyback switch included.

SELECTION GUIDE

1. Integral float operated mechanical switch, no external control required.
2. Single piggyback variable level float switch or double piggyback variable level float switch. Refer to FM0477

ALL MODELS ARE COMPLETELY SUBMERSIBLE HERMETICALLY SEALED

Watertight - dust tight

CAUTION

All installation of controls, protection devices and wiring should be done by a qualified licensed electrician. All electrical and safety codes should be followed including the most recent National Electrical Code (NEC) and the Occupational Safety and Health Act (OSHA).

For information on additional Zoeller products refer to catalog on Piggyback Variable Level Float Switches, FM0477; Electrical Alternator, FM0486; Mechanical Alternator, FM0495; Sump/Sewage Basins, FM0487; and Single Phase Simplex Pump Control/Alarm Systems, FM0732.

RESERVE POWERED DESIGN

For unusual conditions a reserve safety factor is engineered into the design of every Zoeller pump.