

LittleGIANT®





6EC-CIA-SFS
6EC-CIA-RF
6EC-CIM
10EC-CIA-SFS
10EC-CIA-RF
10EC-CIM
Installation Guide


Before Getting Started


Read and follow safety instructions. Refer to product data plate(s) for additional operating instructions and specifications.

This is the safety alert symbol. When you see this  symbol on your pump or in this manual, look for one of the following signal words and be alert to the potential for personal injury:

 DANGER warns about hazards that will cause serious personal injury, death or major property damage if ignored.

 WARNING warns about hazards that can cause serious personal injury, death or major property damage if ignored.

 CAUTION warns about hazards that will or can cause minor personal injury or major property damage if ignored.

 NOTICE indicates special instructions which are important but not related to hazards. Carefully read and follow all safety instructions in this manual and on pump.



WARNING

RISK OF ELECTRIC SHOCK - This pump is supplied with a grounding conductor and grounding-type attachment plug. To reduce risk of electric shock, be certain that it is connected only to a properly grounded, grounding-type receptacle. Disconnect power before servicing.

This equipment should be installed by technically qualified personnel. Failure to install it in compliance with national and local electrical codes and within Franklin Electric recommendations may result in electrical shock or fire hazard, unsatisfactory performance or equipment failure.

This equipment must not be used by children or persons with reduced physical, sensory or mental abilities, or lacking in experience and expertise, unless supervised or instructed. Children may not use the equipment, nor may they play with the equipment or in the immediate vicinity.

If the power cord is damaged, it must only be replaced by qualified personnel.

CAUTION

- Keep work area clean, well-lit, and uncluttered.
- Keep safety labels clean and in good condition.
- Wear safety glasses while installing or performing maintenance on pump.
- Do not run pump dry. Fill pump with water before starting or pump will be damaged.
- Make sure all ELECTRICAL POWER IS OFF before connecting any electrical wires.

Table of Contents

Before Getting Started	2
Getting Started	4
Typical Installation	5
Specifications	6
Pump Performance Curves	6
Electrical Connections	7
Operation	8
Testing Pump Operation	8
Service Instructions	9
Replacement Parts	10
Troubleshooting Information	12
Limited Warranty	13

6EC - 10EC Series

Getting Started

This instruction sheet provides you with the information required to safely own and operate your product. Retain these instructions for future reference.

The product you have purchased is of the highest quality workmanship and material, and has been engineered to give you long and reliable service.

This product has been carefully tested, inspected, and packaged to ensure safe delivery and operation.

Please examine your item(s) carefully to ensure that no damage occurred during shipment. If damage has occurred, please contact the place of purchase.

They will assist you in replacement or repair, if required.

READ THESE INSTRUCTIONS CAREFULLY BEFORE ATTEMPTING TO INSTALL, OPERATE, OR SERVICE YOUR PRODUCT. KNOW THE PRODUCT'S APPLICATION, LIMITATIONS, AND POTENTIAL HAZARDS. PROTECT YOURSELF AND OTHERS BY OBSERVING ALL SAFETY INFORMATION. FAILURE TO COMPLY WITH THESE INSTRUCTIONS COULD RESULT IN PERSONAL INJURY AND/OR PROPERTY DAMAGE!

Description

This is a submersible effluent pump for use in basins or lift stations, and is suitable for pumping sewage, effluent, wastewater, and other non-explosive, non-corrosive liquids with up to 1/2" spherical solids.

Safety Guidelines

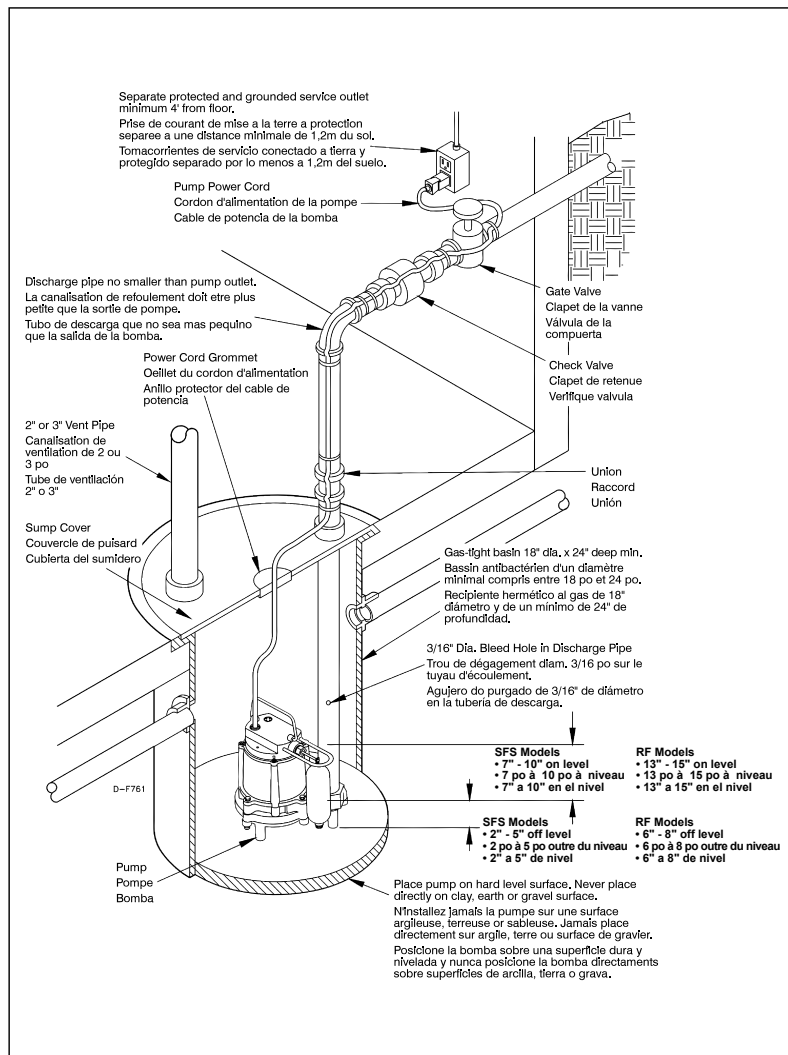


1. Make certain pump is disconnected from power source before attempting to service or remove any component.
2. Do not use to pump flammable or explosive fluids such as gasoline, fuel oil, kerosene, etc. DO NOT use in explosive atmospheres or hazardous locations as classified by NEC, ANSI/NFPAT. Pump should be used with liquids compatible with pump component materials.
3. Do not handle the pump with wet hands or when standing on a wet or damp surface or in water.
4. Do not pull the pump out of the water by the power cord when the pump is operating or connected to power source.
5. This pump is supplied with a grounding conductor and/or grounding type attachment plug. To reduce the risk of electrical shock, be certain that it is connected to a properly grounded grounding-type receptacle.

6. The National Electric Code requires a ground fault circuit interrupter (GFCI) be installed in the branch circuit supplying fountain equipment, pools, etc.
7. In any installation where property damage and/or personal injury might result from an inoperative or leaking pump due to power outages, discharge line blockage, or any other reason, a backup system(s) and/or alarm should be used.
8. Support pump and piping when assembling and when installed. Failure to do so may cause piping to break, pump to fail, motor bearing failures, etc.
9. This pump's motor housing is filled with a dielectric oil for motor heat transfer and lifetime lubrication of the bearings. This oil is non-toxic to aquatic life. However, suffocation can occur if oil is left on the water surface. If oil escapes the motor housing it can be removed from the surface quickly by placing newspapers on the water surface to soak up the oil.
10. The pump motor is equipped with an automatic resetting thermal protector and may restart unexpectedly. Protector tripping is an indication of motor overloading as a result of excessively high or low voltage, inadequate wiring, incorrect motor connections, or a defective motor or pump.

Typical Installation

Figure 1

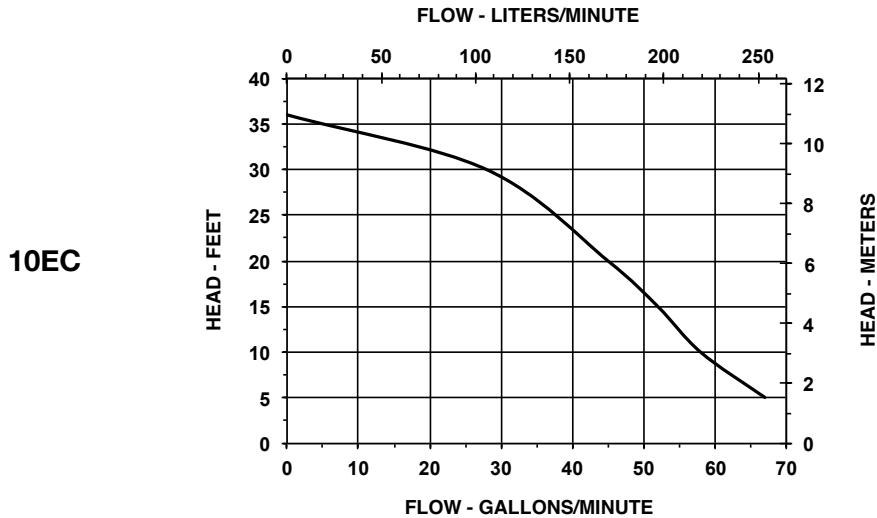
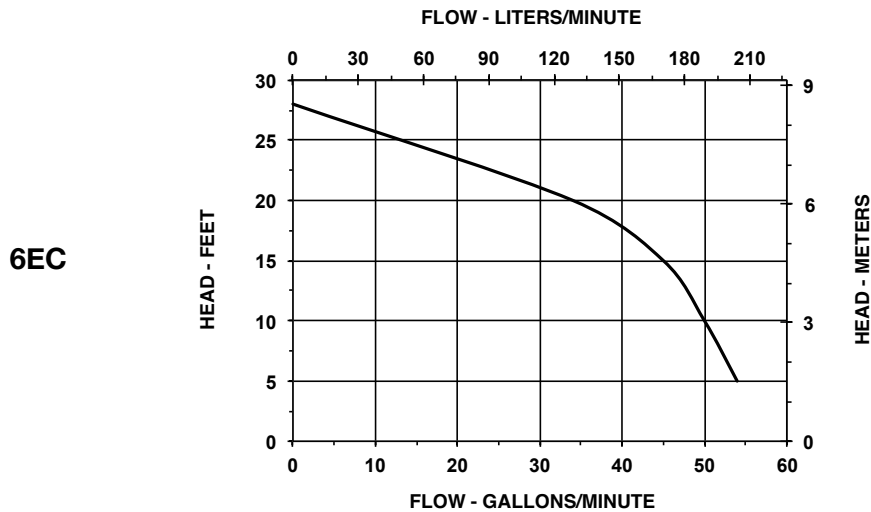


6EC - 10EC Series

Specifications

	GALLONS PER MINUTE, AT HEIGHT LITRES PAR MIUNTE Á LA HAUTEUR LITRES POR MINUTO, A UNA ALTURA					Shut-Off Descibexion Debit Nul
	5' 1.5 m	10' 3 m	15' 4.5 m	20' 6.1 m	30' 9.1 m	
6EC	53	50	42	34	-	28'
	201	189	159	129		8.5 m
10EC	67	57	47	42	24	36'
	254	216	178	159	91	11 m

Pump Performance Curves



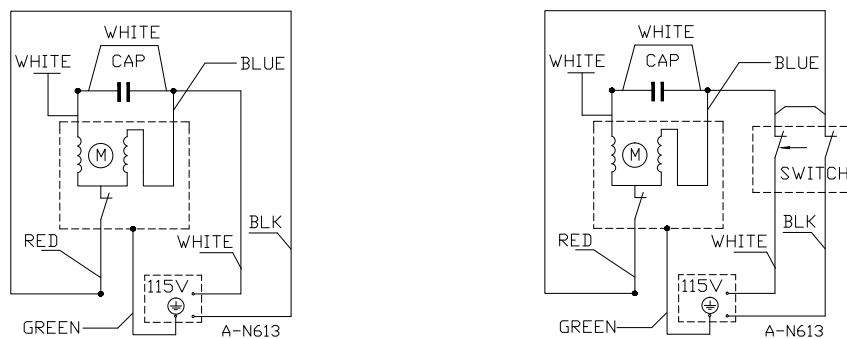
Electrical Connections



1. Check the pump label for proper voltage required. Do not connect to voltage other than that shown.
2. If pump is supplied with a 3-prong electrical plug, the third prong is to ground the pump to prevent possible electrical shock hazard. **DO NOT REMOVE** the third prong from the plug. A separate branch circuit is recommended.
Do not use an extension cord. Do not cut plug from the cord. If the plug is cut or the cord is shortened, then this action will void the warranty.
3. Check local electrical and building codes before installation. The installation must be in accordance with their regulations as well as the most recent National Electrical Code (NEC).
4. To conform to the National Electrical Code all pumps must be wired with 14 AWG or larger wire. For runs to 250', 14 AWG wire is sufficient. For longer runs, consult a qualified electrician or the factory.
5. Pump should be connected or wired to its own circuit with no other outlets or equipment in the circuit line. Fuses and circuit breaker should be of ample capacity in the electrical circuit.
6. The flexible PVC jacketed cord assembly mounted to the pump must not be modified in any way, with the exception of shortening the cord to fit into a control panel. Any splice between the pump and the control panel must be made within a junction box and mounted outside of the basin and comply with the National Electrical Code.
7. The 6EC-CIA-RF AND 10EC-CIA-RF pumps have automatic switches with piggyback plugs on the switch cords. Pump must be plugged into piggyback switch cord for automatic operation.

CONSULT INSTRUCTION SHEET ILLUSTRATIONS FOR PROPER ASSEMBLY AND DISASSEMBLY OF YOUR LITTLE GIANT PUMP.

Figure 2



MANUAL

AUTOMATIC

6EC - 10EC Series

Operation

1. Pump must be installed in a suitable gas tight basin which is at least 18" in diameter and 24" deep, and vented in accordance with local plumbing codes.
2. Pump features a 1-1/2" female NPT discharge.
3. Pump must be placed on a hard level surface. Never place pump directly on clay, earth or gravel surfaces.
4. A check valve must be used in the discharge line to prevent back flow of liquid into the basin. The check valve should be a free flow valve that will easily pass solids.

CAUTION: For best performance of check valves, when handling solids install in a horizontal position or at an angle of no more than 45°. Do not install check valve in a vertical position, as solids may settle in valve and prevent opening on start-up.

5. Do not attempt to restrict the intake side of these pumps. Restricting the intake may cause damage to the seal and may starve the pump. If you require reduced flow rates, then place a valve on the discharge side of the pump or if flexible vinyl tubing is used, a clamp can be used on the tubing to restrict the flow.
6. Do not let the unit run dry (without liquid). It is designed to be cooled by pumping fluid. You may damage the seal and the motor may fail if the pump is allowed to run dry.
7. If the unit is going to be idle for a period of time, follow the cleaning instructions outlined in the next section. Do not let the unit freeze in the wintertime. This may cause cracking or distortion that may destroy the unit.

Testing Pump Operation

CIA Series Effluent Pumps

1. These pumps are equipped with a float operated mechanical switch.
2. When these pumps are installed in a basin with a sealed cover, switch operation cannot be observed. The sump cover usually will have an additional opening that is plugged with a rubber plug. This plug can be removed and switch operation can be observed.
3. Plug power cord into a grounded receptacle with voltage consistent with pump voltage as indicated on pump nameplate.
4. Run water into pump until pump starts.
5. Be sure gate valve in discharge line is open.
6. Allow pump to operate through several on off cycles.

CIM Series Effluent Pumps

1. The pump cord for these pumps can be plugged directly into a properly grounded receptacle with voltage consistent with pump nameplate for continuous pump operation.

CAUTION: This type of operation should be used only for emergency use or when a large volume of water is to be pumped. Pump must not be allowed to run dry. If pump is run dry, it may damage pump and void the warranty.

Service Instructions



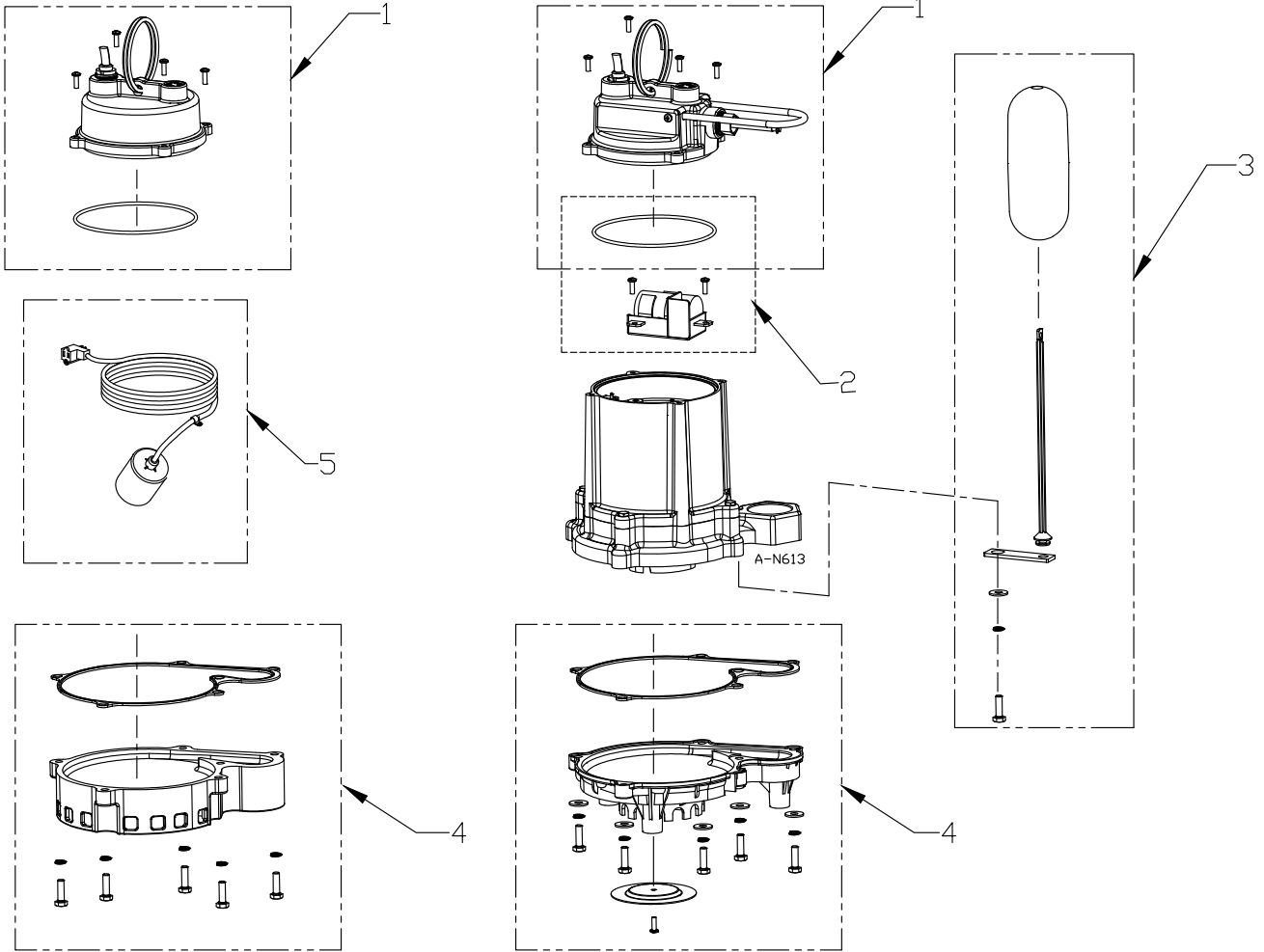
Instructions

MAKE CERTAIN THE UNIT IS DISCONNECTED FROM THE POWER SOURCE BEFORE ATTEMPTING TO SERVICE OR REMOVE ANY COMPONENT!

1. If pump does not operate properly, consult TROUBLESHOOTING section. If trouble still cannot be located, consult your pump dealer or take pump to a Little Giant authorized service center.
2. This unit is permanently lubricated. Oiling is not required. Do not, in any case, open the sealed portion of the unit or remove housing screws.
3. Periodic cleaning of the pump parts will prolong the LIFE and EFFICIENCY of the pump. Refer to the assembly and disassembly of the pumping head.
4. Remove screws that hold base to volute and clean impeller and volute passage. Do not use strong solvents on impeller.
5. Be sure impeller turns freely after cleaning.
6. **WARNING: DO NOT REMOVE IMPELLER. REMOVAL OF IMPELLER REQUIRES SPECIAL TOOLS AND IS TO BE DONE ONLY BY AN AUTHORIZED SERVICE CENTER. DO NOT REMOVE MOTOR HOUSING COVER. WARRANTY IS VOID IF MOTOR HOUSING COVER, IMPELLER OR SEALS HAVE BEEN REMOVED. ANY REPAIR ON MOTOR MUST BE DONE BY AN AUTHORIZED LITTLE GIANT SERVICE CENTER.**
7. Be certain power cord is in good condition and contains no nicks or cuts.

6EC - 10EC Series

Replacement Parts



Replacement Parts

Item #	Description	Balloon Number
110970102	Cover Assembly, 230 V, Automatic, with Switch, 20' Cord, • Assemblée de couverture, 230 V, automatiques, avec le commutateur, corde 20' • Montaje del tapizado, 230 V, automáticos, con el interruptor, cuerda 20'	1
110970103	Cover Assembly, 115 V, Manual, 20' Cord, • Assemblée de couverture, 115 V, manuel, corde 20', • Montaje del tapizado, 115 V, manual, cuerda 20'	1
110970104	Cover Assembly, 230 V, Manual, 20' Cord, • Assemblée de couverture, 230 V, manuel, corde 20', • Montaje del tapizado, 230 V, manual, cuerda 20'	1
110970201	Capacitor kit, 115 V, with Bracket, Seal Ring • Kit de condensateur, 115 V, avec la parenthèse, anneau du joint • Kit del condensador, 115 V, con el soporte, anillo de cierre	2
110970202	Capacitor kit, 230 V, with Bracket, Seal Ring • Kit de condensateur, 230 V, avec la parenthèse, anneau du joint • Kit del condensador, 230 V, con el soporte, anillo de cierre	2
110970301	Float Assembly with Stem strap • Assemblée de flotteur de tige courroie • Asamblea del flotador, con el vástago, correa	3
110970401	Volute Base, Plastic, with Gasket • Base Volute, plastique, avec la garniture • Base Volute, plástico, con la junta	4
110970402	Volute Base, Cast Iron, with Gasket • Base Volute, fer de fonte, avec la garniture • Base Volute, hierro fundido, con la junta	4
599118	Remote Float Switch, 10' Cord, 115/230 V • Le commutateur de flotteur à distance, 10' attachent, 115/230 V • El interruptor de flotador alejado, 10' Cord, 115/230 V	5
599210	Remote Float Switch, 20' Cord, 115/230 V • Le commutateur de flotteur à distance, 20' attachent, 115/230 V • El interruptor de flotador alejado, 20' Cord, 115/230 V	5

6EC - 10EC Series

Troubleshooting Information

PROBLEM • FONCTIONNEMENT DÉFECTUEUX • PROBLEMA	PROBABLE CAUSES • CAUSES PROBABLES • CAUSAS PROBABLES	CORRECTIVE ACTION • SOLUTIONS • SOLUCION
Pump does not turn on. • La pompe ne peut être mise sous tension. • La bomba no se activa.	Pump not plugged in. • La pompe n'est pas branchée. • La bomba no está enchufada.	Plug in pump. • Branchez le puisard. • Enchufar la bomba.
	Circuit breaker shut-off or fuse removed. • Disjoncteur coupé ou fusible enlevé. • Desactivación del disyuntor o se ha retirado el fusible.	Turn on circuit breaker or replace fuse. • Mettez le disjoncteur sous tension ou remplacez le fusible. • Active el disyuntor o reemplace el fusible.
	Accumulation of trash on float. • Accumulation de débris sur le flotteur. • Acumulación de desperdicios en el flotador.	Clean float. • Nettoyez le flotteur. • Limpie el flotador.
	Float obstruction. • Flotteur bloqué. • Obstrucción del flotador.	Check float path and provide clearance. • Vérifiez la voie de passage du flotteur et dégagez-la au besoin. • Verifique el flotador y proporcione espacio limpio.
	Defective switch. • Interrupteur défectueux. • Interruptor defectuoso.	Have pump serviced by authorized service center. • Faites réparer la pompe à un centre de service autorisé. • Lleve la bomba a un centro de servicio autorizado.
Pump will not shut-off. • Le moteur de la pompe ne s'arrête pas. • La bomba no se apaga.	Float or float rod obstruction. • Flotteur bloqué ou tige du flotteur bloquée. • Obstrucción del flotador o de la barra del flotador.	Check float and float rod path and provide clearance. • Vérifiez la voie de passage du flotteur et de la tige du flotteur et dégagez-les au besoin. • Verifique el flotador y el trayecto de la barra de flotación y proporcione espacio limpio.
	Pump is air locked. • Poche d'air dans la pompe. • Burbujas de aire en la bomba.	Shut power off for approximately 1 minute, then restart. Repeat several times to clear air from pump. • Couper le courant pendant 1 minute environ puis recommencer. Répéter cette opération plusieurs fois pour évacuer l'air de la pompe. • Desconecte la electricidad durante un minuto, aproximadamente. Luego, vuélvala a conectar. Repita varias veces, para purgar el aire de la bomba.
	Liquid inflow matches pump capacity. • Afflux de liquide correspondant au volume de la pompe. • El caudal que entra es igual a la capacidad de la bomba.	Larger pump required. • Une pompe plus puissante est nécessaire. • Se requiere una bomba mayor.
	Defective switch. • Commutateur défectueux. • Interruptor defectuoso	Disconnect switch, check w/ohmmeter, open-infinite resistance, closed-zero. • Débrancher le commutateur, vérifier avec un ohmmètre. Ouvert-résistance infinie, fermé-zéro. • Desconecte el interruptor e inspecciónelo con el ohmímetro; abierto, resistencia infinita; cerrado, cero.
Pump runs but does not discharge liquid. • La pompe fonctionne mais il n'y a pas d'écoulement de liquide. • La bomba funciona, pero no descarga líquido.	Check valve installed backwards. • Montage à l'envers de la soupape d'arrêt • Válvula de retención montada al revés	Check flow indicating arrow on check valve body to ensure it is installed properly. • Vérifier la flèche indiquant l'écoulement pour s'assurer que la soupape d'arrêt est bien montée. • Inspeccione la flecha indicadora del flujo en el cuerpo de la válvula de retención, para cerciorarse de que se encuentre instalada correctamente.
	Check valve stuck or plugged. • Soupape d'arrêt bloquée ou obstruée. • Válvula de retención atorada u ocluida.	Remove check valve and inspect for proper operation. • Démonter et vérifier la soupape d'arrêt pour un bon fonctionnement. • Quite la válvula de retención, y verifique que funcione debidamente.
	Lift too high for pump. • Aspiration trop puissante pour la pompe. • Altura de impulsión excesiva para la bomba.	Check rating table. • Vérifier le tableau d'évaluation. • Estudie la tabla de capacidad.
	Inlet to impeller plugged. • Arrivée de la roue à aubes obstruée. • Toma de la rueda móvil conectada.	Pull pump and clean. • Tirer la pompe pour la nettoyer. • Saque la bomba y límpiela.
	Pump is air locked. • Présence d'une poche d'air dans la pompe. • La bomba está llena de burbujas de aire.	(See corrective action above.) • (Voir ci-dessus la solution.) • (Remítase a la solución anterior.)
Pump does not deliver rated capacity. • La pompe ne pompe pas le volume normal. • La bomba no impele a su capacidad normal.	Lift too high for pump. • Aspiration trop puissante pour la pompe. • Altura de impulsión excesiva para la bomba.	Check rated pump performance. • Vérifier les caractéristiques techniques de la pompe. • Verifique el rendimiento normal de la bomba.
	Low voltage, speed too slow. • Voltage et vitesse pas assez puissants. • Voltaje demasiado bajo, velocidad demasiado baja.	Check for proper supply voltage to make certain it corresponds to nameplate voltage. • S'assurer que le voltage correspond bien à celui mentionné sur la plaque. • Verifique que el suministro de electricidad sea adecuado, para cerciorarse de que corresponde al voltaje indicado en la placa del fabricante.
	Impeller or discharge pipe is clogged. • Obstruction de la roue à aubes ou du tuyau d'écoulement. • La rueda móvil en el tubo de descarga está ocluida.	Pull pump and clean. Check pipe for scale or corrosion. • Tirer la pompe pour la nettoyer. Vérifier la présence de dépôts ou de corrosion dans les tuyaux. • Saque la bomba y límpiela. Inspeccione el tubo, en busca de capas de óxido o corrosión.
	Impeller wear due to abrasives. • Usure de la roue à aubes due aux abrasifs. • Desgaste de la rueda móvil, debido a abrasivos.	Replace worn impeller. • Remplacer la roue à aubes usée. • Cambie la rueda móvil gastada.
Pump cycles continually. • La pompe recommence son cycle sans s'arrêter. • La bomba se enciende y apaga continuamente	No check valve in long discharge pipe allowing liquid to drain back into sump. • Absence de soupape d'arrêt dans le grand tuyau d'écoulement ainsi permettant l'écoulement du liquide dans le puisard de réception. • Falta la válvula de retención en el tubo de descarga largo, lo cual permite que el líquido refluya a la sumidero.	Install a check valve in discharge line. • Installer une soupape d'arrêt sur le tuyau d'écoulement. • Instale una válvula de retención en la tubería de descarga.
	Check valve leaking. • Fuite à la soupape d'arrêt. • Escape en la válvula de retención.	Inspect check valve for correct operation. • Vérifier la soupape d'arrêt pour obtenir un bon fonctionnement. • Verifique que la válvula de retención funcione correctamente.
	Basin too small for inflow. • Bassin de réception trop petit pour l'afflux. • El fondo del sumidero es muy pequeño o está inundado.	Install larger basin. • Installer une bassin de réception plus grand. • Instale un sumidero con un fondo mayor.

SEWAGE & EFFLUENT 2 YEAR WARRANTY STATEMENT

LIMITED WARRANTY

THIS WARRANTY SETS FORTH THE COMPANY'S SOLE OBLIGATION AND PURCHASER'S EXCLUSIVE REMEDY FOR DEFECTIVE PRODUCT.

Franklin Electric Company, Inc. and its subsidiaries (hereafter "the Company") warrants that the products accompanied by this warranty are free from defects in materials or workmanship of the Company that exist at the time of sale by the Company and which occur or exist within the applicable warranty period. Any distributor, sub-distributor, recipient, end-user and/or consumer agrees that by accepting the receipt of the products, the distributor, sub-distributor, recipient, end user and/or consumer expressly agrees to be bound by the terms of the warranty set forth herein.

I. Applicable Warranty Period

The products accompanied by this warranty shall be covered by this Limited Warranty for a period of 24 months from the date of original purchase by the consumer. In the absence of suitable proof of purchase date, the warranty period of this product will begin to run on the product's date of manufacture.

II. Instructions Applicable to this Limited Warranty

1. Consumers wishing to submit a warranty claim must return the products accompanied by this warranty to the point of purchase for warranty consideration.
2. Upon discovery of a defect, any personal injury, property damage or any other type of resulting damage, if applicable, shall be reasonably mitigated to the extent possible.
3. At its discretion, the Company may inspect products either at its facilities or in the field, and after determination of a warranty claim, will, at its option, repair or replace defective parts. Repaired or replaced parts will be returned freight prepaid by the Company.
4. This warranty policy does not cover any labor or shipping charges. The Company shall not be liable for any costs or charges attributable to any product testing, maintenance, installation, repair or removal, or for any tools, supplies, or equipment needed to install, repair, or remove any product.

III. Limitations Applicable to this Limited Warranty

THIS WARRANTY DOES NOT APPLY TO ANY OF THE FOLLOWING:

1. Brushes, impeller or cam on models with brush-type motors and/or flex-vane impellers.
2. Any product that is not installed, applied, maintained, and used in accordance with the Company's published instructions, applicable codes, applicable ordinances and/or with generally accepted industry standards.
3. Any product that has been subject to misuse, misapplication, neglect, alteration, accident, abuse, tampering, acts of God (including lightning), acts of terrorism, acts of war, fire, improper storage or installation, improper use, improper maintenance or repair, damage or casualty, or to an excess of the recommended maximums as set forth in the product instructions.
4. Any product that is operated with any accessory, equipment, component, or part not specifically approved by the Company.
5. Use of replacement parts not sold by the Company, the unauthorized addition of non-Company products to other Company products, and the unauthorized alteration of Company products.
6. Products damaged by normal wear and tear, normal maintenance services and the parts used in connection with such service, or any other conditions beyond the control of the Company.
7. Any product that has been used for purposes other than those for which it was designed and manufactured.
8. Any use of the product where installation instructions and/or instructions for use were not followed.
9. Products connected to voltage other than indicated on nameplate.
10. Products where the pump was exposed to any of the following: sand, gravel, cement, grease, plaster, mud, tar, hydrocarbons, hydrocarbon derivatives (oil, gasoline, solvents, etc.) or other abrasive or corrosive substances.
11. Products in which the pump has been used for pumping of liquids above 140 °F.
12. Products in which the pump was allowed to operate dry (fluid supply cut off).
13. Products in which the sealed motor housing has been opened or the product has been otherwise dismantled by customer.
14. Products in which the cord has been cut to a length of less than three feet.

The Company reserves the right at any time, and from time to time, to make changes in the design and/or improvements upon its product without thereby imposing any obligation upon itself to make corresponding changes or improvements in or upon its products already manufactured and/or previously sold. The Company further reserves the right to substitute parts or components of substantially equal quality in any warranty service required by operation of this Limited Warranty.

This written Limited Warranty is the entire warranty authorized and offered by the Company. There are no warranties or representations beyond those expressed in this document.

THIS WARRANTY AND REMEDY IS IN LIEU OF ALL OTHER WARRANTIES AND REMEDIES INCLUDING WITHOUT LIMITATION, WARRANTIES OF MERCHANTABILITY AND/OR FITNESS FOR A PARTICULAR PURPOSE, WHICH ARE HEREBY SPECIFICALLY DISCLAIMED AND EXPRESSLY EXCLUDED. CORRECTION OF NON-CONFORMITIES, IN THE MANNER AND FOR THE PERIOD OF TIME AS SET FORTH ABOVE, SHALL CONSTITUTE FULFILLMENT OF ALL LIABILITY OF THE COMPANY TO THE PURCHASER WHETHER BASED ON CONTRACT, NEGLIGENCE, OR OTHERWISE.

THE COMPANY SHALL NOT BE LIABLE FOR INCIDENTAL, CONSEQUENTIAL OR SPECIAL DAMAGES SUCH AS, BUT NOT LIMITED TO:

DAMAGE TO OR LOSS OF OTHER PROPERTY OR EQUIPMENT, LOSS OF USE OF EQUIPMENT, FACILITIES OR SERVICE, LOSS OF PROFIT OR SALES, COST OF PURCHASES OR REPLACEMENT GOODS, CLAIMS OF CUSTOMERS OF THE PURCHASER, FAILURE TO WARN AND/OR INSTRUCT, LOSS OF OTHER PRODUCTS, OR COSTS OF ENVIRONMENTAL REMEDIATION, OR DIMINUTION IN PROPERTY VALUE. THE REMEDIES OF THE PURCHASER SET FORTH HEREIN ARE EXCLUSIVE, AND THE LIABILITY OF THE COMPANY SHALL NOT, EXCEPT AS EXPRESSLY PROVIDED HEREIN, EXCEED THE PRICE OF THE PRODUCTS UPON WHICH SUCH LIABILITY IS BASED. DAMAGES AS SET FORTH IN THIS PARAGRAPH SHALL BE REASONABLY MITIGATED TO THE EXTENT POSSIBLE. THIS PARAGRAPH SHALL ALSO APPLY TO ALL DAMAGES RESULTING FROM CONDITIONS SET FORTH IN SECTION III ABOVE AND (1) DEFECTS IN PRODUCT PROTOTYPES OR REPLACEMENT PART PROTOTYPES THAT HAVE NOT BEEN PUT INTO PRODUCTION, CIRCULATED AND SOLD BY THE COMPANY, AND/OR (2) DEFECTS THAT WERE NOT FOUND AT THE TIME OF SALE DUE TO SCIENTIFIC AND TECHNOLOGICAL REASONS.

This Limited Warranty gives you specific legal rights. You may have other rights, which vary according to the applicable laws and regulations. Where any term of this warranty is prohibited by such laws, it shall be null and void, but the remainder of this warranty shall remain in full force and effect.

DISCLAIMER: Any oral statements about the product made by the seller, the Company, the representatives or any other parties, do not constitute warranties, shall not be relied upon by the user, and are not part of the contract for sale. Seller's and the Company's only obligation, and buyer's only remedy, shall be the replacement and/or repair by the Company of the product as described above. Before using, the user shall determine the suitability of the product for his intended use, and user assumes all risk and liability whatsoever in connection therewith.

LittleGIANT®





6EC-CIA-SFS
6EC-CIA-RF
6EC-CIM
10EC-CIA-SFS
10EC-CIA-RF
10EC-CIM


Manual du Propriétaire


Avant de commencer


Consultez et respectez toutes les directives de sécurité. Consultez les plaques signalétiques du produit pour obtenir des directives d'utilisation et des spécifications supplémentaires.

Ce triangle est le symbole d'alerte de sécurité. Lorsque vous voyez ce  symbole sur votre pompe ou dans ce manuel, recherchez l'un des mots de signal suivants et soyez à l'affût du potentiel de blessures :

 DANGER informe des dangers qui entraîneront des blessures graves, la mort ou des dommages matériels importants s'il est ignoré.

 AVERTISSEMENT informe des dangers qui peuvent entraîner des blessures graves, la mort ou des dommages matériels importants s'il est ignoré.

 PRUDENCE informe des dangers qui entraîneront ou risquent d'entraîner des blessures mineures ou des dommages matériels importants s'il est ignoré.

 REMARQUE indique des instructions spéciales importantes, qui ne sont cependant pas liées à des dangers. Consultez et respectez attentivement toutes les directives de sécurité qui figurent dans ce manuel et sur la pompe.



AVERTISSEMENT

RISQUE DE DÉCHARGE ÉLECTRIQUE – Cette pompe est fournie avec un conducteur de mise à la terre et une fiche munie d'une attache de mise à la terre. Pour réduire le risque de décharge électrique, assurez-vous de seulement brancher la pompe à une prise électrique correctement mise à la terre. Débranchez l'alimentation avant de travailler sur ou autour du système Inline. N'utilisez pas le système Inline dans les zones de baignade.

Cet équipement doit être installé par une personne qualifiée du point de vue technique. Une installation ne respectant pas les codes de l'électricité nationaux et locaux et les recommandations de Franklin Electric peut entraîner une décharge électrique, un incendie, un rendement insatisfaisant ou une défaillance de l'appareil. De l'information sur l'installation est disponible auprès des fabricants et des distributeurs de pompes, ou directement auprès de Franklin Electric au moyen de notre numéro sans frais, 1-800-348-2420.

Cet équipement ne doit pas être utilisé par des enfants ou des personnes ayant des capacités physiques, sensorielles ou mentales réduites, ou qui manquent d'expérience ou d'expertise, à moins d'être supervisés ou dirigés. Des enfants ne doivent pas utiliser l'équipement ou jouer avec celui-ci ou dans son entourage immédiat.

Si le cordon d'alimentation est endommagé, il doit être remplacé uniquement par une personne compétente.

PRUDENCE

- L'aire de travail doit être propre, bien éclairée et dégagée.
- Gardez les étiquettes de sécurité propres et en bon état.
- Portez des lunettes de protection pendant les travaux d'installation ou de maintenance de la pompe.
- La pompe ne doit pas fonctionner à vide. Remplissez-la d'eau avant le démarrage afin d'éviter de l'endommager.
- Assurez-vous que TOUTE L'ALIMENTATION ÉLECTRIQUE EST COUPÉE avant de brancher des fils électriques. Câblez le système de surpression Inline en respectant le voltage approprié. Respectez toutes les directives énoncées dans la section « Câblage » du présent manuel relativement au câblage de la pompe.

Table des Matières

Avant de Commencer	18
Installation Typique	19
Caractéristiques	21
Courbes de Performance de La Pompe.....	21
Connexions Électriques	22
Fonctionnement	23
Vérification du Fonctionnement de La Pompe	23
Directives D'Entretien	24
Pièces de Rechange	25
Information Sur La Relève des Dérangements	27
Garantie Limitée	28

Antesde Empezar

Cette feuille d'instructions vous fournit les informations nécessaires pour entretenir et faire fonctionner votre produit. Conserver ces directives afin de pouvoir les consulter plus tard.

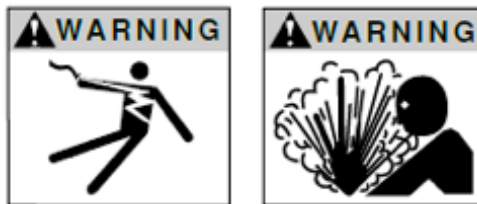
Le produit que vous avez acheté a été soigneusement fabriqué avec des matériaux de la plus haute qualité et a été conçu pour durer longtemps et offrir un service fiable. Les produits sont soigneusement testés, inspectés et emballés afin d'en assurer la sécurité de fonctionnement et une livraison en bonne condition. Vérifier attentivement le produit afin de vous assurer qu'il n'a pas été endommagé pendant le transport. S'il est endommagé, veuillez contacter l'entreprise qui vous l'a vendu. Si une réparation ou un remplacement est requis, elle vous prêtera assistance.

LIRE ATTENTIVEMENT CES DIRECTIVES AVANT DE PROCÉDER À L'INSTALLATION, À L'UTILISATION OU À L'ENTRETIEN DU PRODUIT. SE FAMILIARISER AVEC LES APPLICATIONS, LES LIMITES ET LES RISQUES POTENTIELS DU PRODUIT. ASSURER SA PROPRE PROTECTION ET CELLE DES AUTRES EN SUIVANT TOUTES LES RÈGLES DE SÉCURITÉ. LE NON-RESPECT DE CES DIRECTIVES PEUT ENTRAÎNER DES BLESSURES ET/OU DES DOMMAGES MATÉRIELS!

Description

Vous avez acheté une pompe pour effluent submersible pouvant être utilisée dans des bassins ou dans des stations de pompage des eaux usées. Elle permet de pomper les eaux d'égout, l'effluent, les eaux usées et d'autres liquides non explosifs et non corrosifs pouvant contenir des solides d'un diamètre de 1/2 po.

Directives de Sécurité



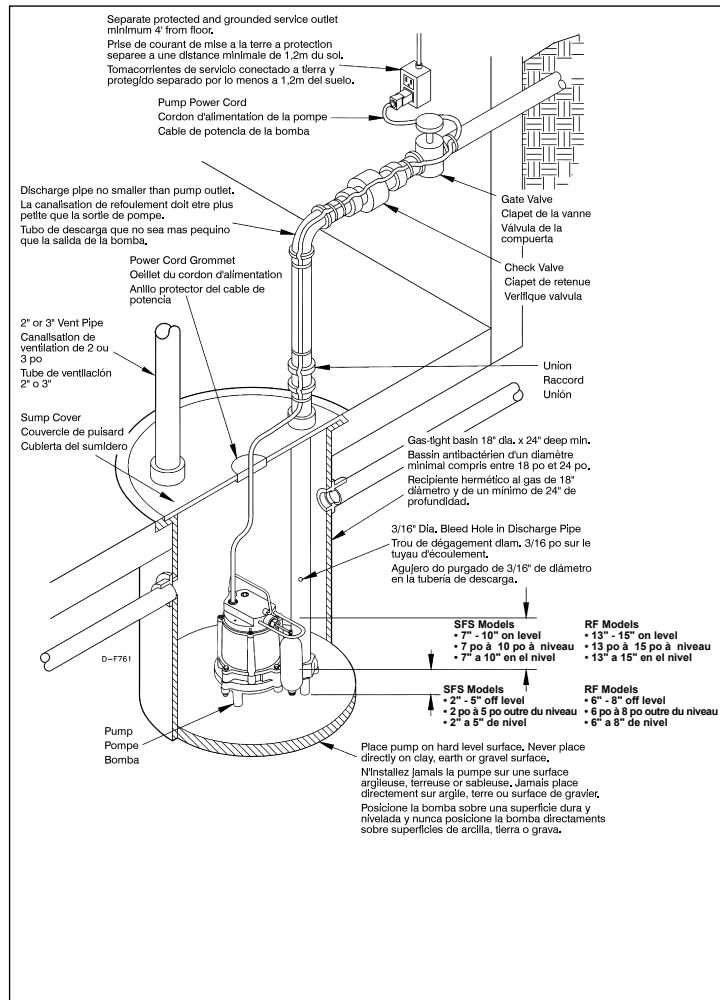
1. Veiller à débrancher l'appareil de sa source d'alimentation électrique avant l'entretien ou la dépose d'une ou de plusieurs pièces.
2. Ne pas utiliser pour pomper des liquides explosifs ou inflammables (essence, huile, kérosène, etc.) NE PAS utiliser dans des environnements explosifs ou des lieux considérés comme dangereux (voir Code nat. de l'Élect., ANSI/NFPAT). Ne pas utiliser dans un environnement propice aux explosions. Utiliser avec des liquides compatibles avec les matériaux de la pompe.
3. Ne pas manipuler la pompe les mains humides, les pieds posés sur une surface mouillée ou humide, ou les pieds dans l'eau.
4. N'utilisez pas le cordon d'alimentation pour sortir la pompe de l'eau alors que la pompe fonctionne ou qu'elle est reliée à une source d'alimentation.
5. Votre pompe vient avec un fil de mise à la terre et/ou une prise à trois branches. Afin de réduire le risque de choc électrique, s'assurer que la pompe est branchée à une prise correctement mise à la terre.
6. Le Code national de l'Électricité exige qu'un interrupteur de mise à la terre (GFI) soit installé sur le circuit d'installation d'une fontaine, d'une piscine, etc.

6EC - 10EC Series

7. L'utilisation d'un ou de plusieurs systèmes auxiliaires et/ou d'un système d'alarme est recommandée pour toute installation potentiellement dangereuse (fuite ou défectuosité causées par une coupure de courant, un blocage du circuit de refoulement ou pour toute autre raison) pour les personnes ou la propriété.
8. Immobiliser la pompe et les tuyaux lors de l'installation et de l'utilisation afin d'éviter tout risque de dommages aux tuyaux, à la pompe aux roulements à bille du moteur, etc.
9. Le boîtier du moteur de cette pompe est rempli d'une huile diélectrique, pour un transfert de chaleur optimal et une lubrification durable des paliers. Cette huile n'est d'aucun danger pour la vie aquatique. Il y a toutefois risque de suffocation si l'huile reste à la surface de l'eau. S'il devait y avoir fuite, retirer l'huile de la surface en plaçant du papier journal sur l'eau afin d'absorber l'huile.
10. Le moteur de la pompe est pourvu d'un dispositif de protection thermique à démarrage automatique; elle peut redémarrer à tout moment. Le déclenchement du dispositif de protection indique une surchauffe du moteur provoquée par un voltage excessif ou insuffisant, un câblage non approprié, des erreurs de raccordement du moteur, une défaillance du moteur ou une défaillance de la pompe.

Installation Typique

Figure 1

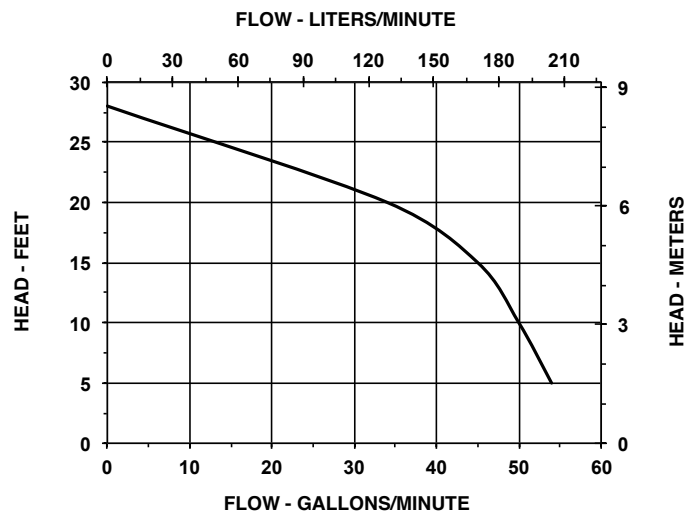


Caractéristiques

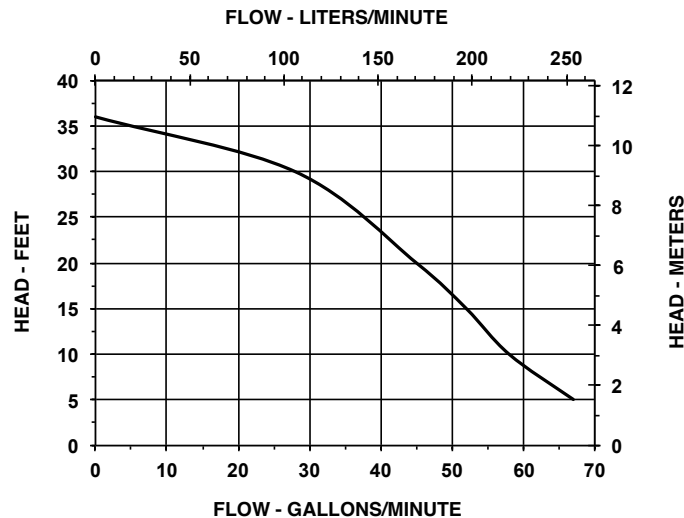
	GALLONS PER MINUTE, AT HEIGHT LITRES PAR MIUNTE À LA HAUTEUR LITRES POR MINUTO, A UNA ALTURA					Shut Off Descibexion Debit Nul
	5' 1.5 m	10' 3 m	15' 4.5 m	20' 6.1 m	30' 9.1 m	
6EC	53	50	42	34	-	28'
	201	189	159	129		8.5 m
10EC	67	57	47	42	24	36'
	254	216	178	159	91	11 m

Courbes de Performance de La Pompe

6EC



10EC



6EC - 10EC Series

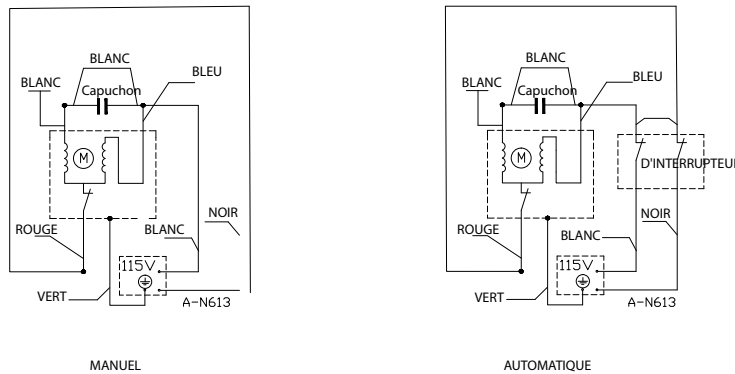
Connexions Électriques



1. Consulter l'étiquette de la pompe pour connaître la tension appropriée. Ne pas raccorder à une source autre que la tension spécifiée.
ATTENTION: Le fonctionnement en continu ne devrait être utilisé qu'en cas d'urgence ou lorsque qu'une grande quantité de liquide doit être évacuée. Ne faites pas fonctionner la pompe à sec. Le fonctionnement à sec peut endommager la pompe et causer l'annulation de la garantie.
2. Si la pompe est équipée d'une fiche d'alimentation électrique à trois broches, la troisième est destinée à raccorder la pompe à la terre pour éliminer les risques d'électrocution. **NE PAS ENLEVER** cette troisième broche du cordon d'alimentation. Un circuit de branche séparé est recommandé. Ne pas utiliser un prolongateur. Ne pas couper la fiche du cordon. Couper la fiche ou raccourcir le cordon entraînera l'annulation de la garantie.
Do not use an extension cord. Do not cut plug from the cord. If the plug is cut or the cord is shortened, then this action will void the warranty.
3. Vérifiez la réglementation locale en matière d'électricité et de bâtiment avant de procéder à l'installation. L'installation doit respecter cette réglementation ainsi que le Code national de l'électricité le plus récent.
4. En conformité avec le Code national de l'électricité, toutes les pompes doivent être raccordées à l'aide de fils AWG 14 ou plus. Pour un parcours de 250 pieds, les fils AWG 14 sont suffisants. Pour un parcours plus long, consultez un électricien professionnel ou l'usine.
5. La pompe doit être connectée ou reliée à son propre circuit, lequel ne doit inclure aucune autre prise de courant ni d'autre équipement. Les fusibles et les disjoncteurs doivent être dotés d'une capacité suffisante pour le circuit électrique.
6. L'ensemble du cordon à gaine en PVC souple monté à la pompe ne doit être modifié en aucune façon. Il peut au plus être raccourci pour pouvoir pénétrer dans le panneau de contrôle. Tout raccord entre la pompe et le panneau de contrôle doit être réalisé dans une boîte de jonction et monté à l'extérieur du bassin ; il doit également être conforme à la réglementation du Code national de l'électricité.
7. Les pompes 6EC-CIA-RF and 10EC-CIA-RF sont équipées d'interrupteurs automatiques avec fiches de courant jumelles sur les cordons d'alimentation de l'interrupteur. La pompe doit être branchée au cordon d'alimentation avec fiche de courant jumelle pour fonctionner automatiquement.

LIRE ATTENTIVEMENT LE MODE D'EMPLOI AVANT LE MONTAGE OU LE DEMONTAGE DE LA POMPE LITTLE GIANT.

Figure 2



6EC/10EC SÉRIE

Fonctionnement

1. La pompe doit être installée dans un bassin antibactérien d'un diamètre d'au moins 18 po et d'une profondeur d'au moins 24 po. Le filtrage bactérien du bassin doit être conforme aux codes de plomberie locaux.
2. La pompe est dotée d'un raccord de refoulement NPT femelle de 1 po 1/2.
3. La pompe doit être installée sur une surface dure. N'installez jamais la pompe sur une surface argileuse, terreuse ou sableuse.
4. Vous devez installer un clapet de retenue dans la canalisation de refoulement afin de prévenir le retour du liquide dans le bassin. Le clapet de retenue doit permettre le libre écoulement de façon à laisser passer facilement les solides.

ATTENTION: Installez le clapet de retenue à l'horizontale ou selon un angle d'au plus 45° afin de permettre un meilleur passage des solides et, par conséquent, un meilleur rendement du clapet. N'installez pas le clapet de retenue à la verticale ; cette position pourrait provoquer le blocage des solides dans le clapet et son ouverture au démarrage.

5. Ne pas laisser fonctionner la pompe à sec, ce qui pourrait endommager le joint et provoquer une panne de moteur car elle est conçue pour être refroidie par le liquide pompé.
6. Ne laissez pas l'appareil fonctionner à sec (sans liquide). Il est conçu pour se refroidir en pompant un liquide. Vous pouvez endommager le joint et le moteur peut tomber en panne si vous laissez la pompe tourner à vide.
7. Si l'appareil doit rester inutilisé pendant un certain temps, suivez les instructions de nettoyage ci-dessous. Ne laissez pas l'appareil geler. Cela peut entraîner des fêlures ou des déformations qui détruiraient l'appareil.

Vérification du Fonctionnement de La Pompe

Pompes Pour Effluent de La Série CIA

1. Ces pompes sont munies d'un interrupteur mécanique actionné par flotteur.
2. Lorsqu'une pompe de ce type est installée dans un bassin pourvu d'un couvercle étanche, il est impossible d'observer le fonctionnement de l'interrupteur. Le couvercle du puisard est habituellement pourvu d'une ouverture supplémentaire fermée à l'aide d'un bouchon de caoutchouc. Il est possible d'enlever ce bouchon et d'observer le fonctionnement de l'interrupteur.

6EC - 10EC Series

3. Branchez le cordon d'alimentation dans une prise bipolaire avec borne de terre dont le voltage convient à celui de la pompe. Le voltage de la pompe est indiqué sur la plaque signalétique.
4. Faites couler de l'eau dans la pompe jusqu'à ce que celle-ci démarre.
5. Assurez-vous que le clapet de la vanne l'intérieur de la canalisation de refoulement est ouvert.
6. Faites fonctionner la pompe pendant plusieurs cycles démarrage-arrêt.

Pompes Pour Effluent de La Série CIM

1. Le cordon de ces pompes peut être branché directement dans une prise bipolaire avec borne de terre appropriée pourvue dont le voltage convient à celui qui est indiqué sur la plaque signalétique de la pompe. Cette dernière peut alors fonctionner en continu.

ATTENTION: Le fonctionnement en continu ne devrait être utilisé qu'en cas d'urgence ou lorsque qu'une grande quantité de liquide doit être évacuée. Ne faites pas fonctionner la pompe à sec. Le fonctionnement à sec peut endommager la pompe et causer l'annulation de la garantie.

Directives D'Entretien

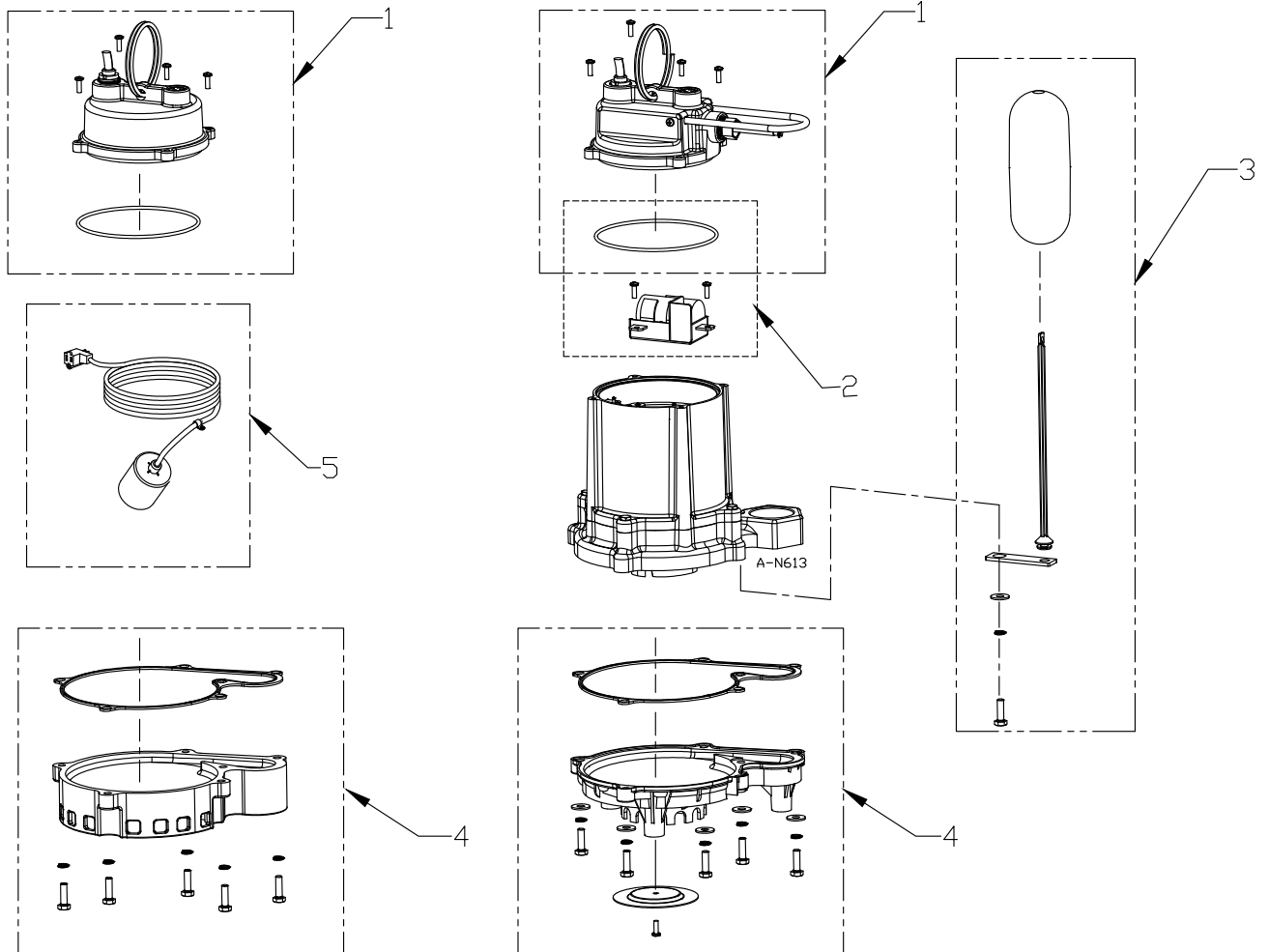


Instructions

AVERTISSEMENT VOTRE POMPE DEMANDERA TRÈS PEU D'ENTRETIEN. SI, POUR UNE RAISON QUELCONQUE, ELLE NE PEUT PAS FONCTIONNER, SUIVEZ LES INSTRUCTIONS CI-DESSOUS!

1. Si la pompe ne fonctionne pas convenablement, consultez le tableau de relève des dérangements. Si vous pouvez identifier le problème en suivant les étapes indiquées, consultez le fournisseur de votre pompe ou rapportez la pompe à un centre de service autorisé Little Giant.
2. Cette unité est lubrifiée en permanence. Il n'est pas nécessaire de la graisser. N'ouvrez jamais la partie scellée de l'unité et n'enlevez jamais les vis du boîtier.
3. Le nettoyage périodique de la pompe augmentera sa DURÉE DE VIE et son EFFICACITÉ. Consultez le savoir comment assembler et démonter la tête de pompage.
4. Retirez les vis qui relient la base à la volute, puis nettoyez la turbine et le passage de la volute. N'utilisez aucun solvant puissant sur la turbine.
5. Veillez à ce que la turbine tourne librement une fois le nettoyage terminé.
6. **AVERTISSEMENT:** LAISSEZ LA TURBINE EN PLACE. LE RETRAIT DE LA TURBINE NÉCESSITE DES OUTILS SPÉCIAUX ET NE PEUT ÊTRE EFFECTUÉ QU'À UN CENTRE DE SERVICE AUTORISÉ. LAISSER LE COUVERCLE DU BOÎTIER DU MOTEUR EN PLACE. LE RETRAIT DU COUVERCLE DU BOÎTIER DU MOTEUR, DE LA TURBINE OU DES JOINTS ANNULE LA GARANTIE. TOUTE RÉPARATION DU MOTEUR DOIT ÊTRE EFFECTUÉE À UN CENTRE DE SERVICE AUTORISÉ LITTLE GIANT.
7. Assurez-vous que le cordon d'alimentation est en bon état et ne présente ni entaille ni coupure.

Pièces de Rechange



6EC - 10EC Series

Pièces de Rechange

Item #	Description	Balloon Number
110970102	Cover Assembly, 230 V, Automatic, with Switch, 20' Cord, • Assemblée de couverture, 230 V, automatiques, avec le commutateur, corde 20' • Montaje del tapizado, 230 V, automáticos, con el interruptor, cuerda 20'	1
110970103	Cover Assembly, 115 V, Manual, 20' Cord, • Assemblée de couverture, 115 V, manuel, corde 20', • Montaje del tapizado, 115 V, manual, cuerda 20'	1
110970104	Cover Assembly, 230 V, Manual, 20' Cord, • Assemblée de couverture, 230 V, manuel, corde 20', • Montaje del tapizado, 230 V, manual, cuerda 20'	1
110970201	Capacitor kit, 115 V, with Bracket, Seal Ring • Kit de condensateur, 115 V, avec la parenthèse, anneau du joint • Kit del condensador, 115 V, con el soporte, anillo de cierre	2
110970202	Capacitor kit, 230 V, with Bracket, Seal Ring • Kit de condensateur, 230 V, avec la parenthèse, anneau du joint • Kit del condensador, 230 V, con el soporte, anillo de cierre	2
110970301	Float Assembly with Stem strap • Assemblée de flotteur de tige courroie • Asamblea del flotador, con el vástago, correa	3
110970401	Volute Base, Plastic, with Gasket • Base Volute, plastique, avec la garniture • Base Volute, plástico, con la junta	4
110970402	Volute Base, Cast Iron, with Gasket • Base Volute, fer de fonte, avec la garniture • Base Volute, hierro fundido, con la junta	4
599118	Remote Float Switch, 10' Cord, 115/230 V • Le commutateur de flotteur à distance, 10' attachent, 115/230 V • El interruptor de flotador alejado, 10' Cord, 115/230 V	5
599210	Remote Float Switch, 20' Cord, 115/230 V • Le commutateur de flotteur à distance, 20' attachent, 115/230 V • El interruptor de flotador alejado, 20' Cord, 115/230 V	5

Information Sur La Relève des Dérangements

PROBLEM • FONCTIONNEMENT DÉFECTUEUX • PROBLEMA	PROBABLE CAUSES • CAUSES PROBABLES • CAUSAS PROBABLES	CORRECTIVE ACTION • SOLUTIONS • SOLUCION
<p>Pump does not turn on. • La pompe ne peut être mise sous tension. • La bomba no se activa.</p>	<p>Pump not plugged in. • La pompe n'est pas branchée. • La bomba no está enchufada.</p> <p>Circuit breaker shut-off or fuse removed. • Disjoncteur coupé ou fusible enlevé. • Desactivación del disyuntor o se ha retirado el fusible.</p> <p>Accumulation of trash on float. • Accumulation of debris sur le flotteur. • Acumulación de desperdicios en el flotador.</p> <p>Float obstruction. • Flotteur bloqué. • Obstrucción del flotador.</p> <p>Defective switch. • Interrupteur défectueux. • Interruptor defectuoso.</p> <p>Defective motor. • Moteur défectueux. • Motor defectuoso.</p>	<p>Plug in pump. • Branchez le puisard. • Enchufar la bomba.</p> <p>Turn on circuit breaker or replace fuse. • Mettez le disjoncteur sous tension ou remplacez le fusible. • Active el disyuntor o reemplace el fusible.</p> <p>Clean float. • Nettoyez le flotteur. • Limpie el flotador.</p> <p>Check float path and provide clearance. • Vérifiez la voie de passage du flotteur et dégagez-la au besoin. • Verifique el flotador y proporcione espacio limpio.</p> <p>Have pump serviced by authorized service center. • Faites réparer la pompe à un centre de service autorisé. • Lleve la bomba a un centro de servicio autorizado.</p> <p>Have pump serviced by authorized service center. • Faites réparer la pompe à un centre de service autorisé. • Lleve la bomba a un centro de servicio autorizado.</p>
<p>Pump will not shut-off. • Le moteur de la pompe ne s'arrête pas. • La bomba no se apaga.</p>	<p>Float or float rod obstruction. • Flotteur bloqué ou tige du flotteur bloquée. • Obstrucción del flotador o de la barra del flotador.</p> <p>Pump is air locked. • Poche d'air dans la pompe. • Burbujas de aire en la bomba.</p> <p>Liquid inflow matches pump capacity. • Afflux de liquide correspondant au volume de la pompe. • El caudal que entra es igual a la capacidad de la bomba.</p> <p>Defective switch. • Commutateur défectueux. • Interruptor defectuoso</p>	<p>Check float and float rod path and provide clearance. • Vérifiez la voie de passage du flotteur et de la tige du flotteur et dégagez-les au besoin. • Verifique el flotador y el trayecto de la barra de flotación y proporcione espacio limpio.</p> <p>Shut power off for approximately 1 minute, then restart. Repeat several times to clear air from pump. • Couper le courant pendant 1 minute environ puis recommencer. Répéter cette opération plusieurs fois pour évacuer l'air de la pompe. • Desconecte la electricidad durante un minuto, aproximadamente. Luego, vuélvala a conectar. Repita varias veces, para purgar el aire de la bomba.</p> <p>Larger pump required. • Une pompe plus puissante est nécessaire. • Se requiere una bomba mayor.</p> <p>Disconnect switch, check w/ohmmeter, open-infinite resistance, closed-zero. • Débrancher le commutateur, vérifier avec un ohmmètre. Ouvert-résistance infinie, fermé-zéro. • Desconecte el interruptor e inspecciónelo con el ohmmetro; abierto, resistencia infinita; cerrado, cero.</p>
<p>Pump runs but does not discharge liquid. • La pompe fonctionne mais il n'y a pas d'écoulement de liquide. • La bomba funciona, pero no descarga líquido.</p>	<p>Check valve installed backwards. • Montage à l'envers de la soupape d'arrêt • Válvula de retención montada al revés</p> <p>Check valve stuck or plugged. • Soupape d'arrêt bloquée ou obstruée. • Válvula de retención atorada u ocluida.</p> <p>Lift too high for pump. • Aspiration trop puissante pour la pompe. • Altura de impulsión excesiva para la bomba.</p> <p>Inlet to impeller plugged. • Arrivée de la roue à aubes obstruée. • Toma de la rueda móvil conectada.</p> <p>Pump is air locked. • Présence d'une poche d'air dans la pompe. • La bomba está llena de burbujas de aire.</p>	<p>Check flow indicating arrow on check valve body to ensure it is installed properly. • Vérifier la flèche indiquant l'écoulement pour s'assurer que la soupape d'arrêt est bien montée. • Inspeccione la flecha indicadora del flujo en el cuerpo de la válvula de retención, para cerciorarse de que se encuentre instalada correctamente.</p> <p>Remove check valve and inspect for proper operation. • Démonter et vérifier la soupape d'arrêt pour un bon fonctionnement. • Quite la válvula de retención, y verifique que funcione debidamente.</p> <p>Check rating table. • Vérifier le tableau d'évaluation. • Estudie la tabla de capacidad.</p> <p>Pull pump and clean. • Tirer la pompe pour la nettoyer. • Saque la bomba y límpiela.</p> <p>(See corrective action above.) • (Voir ci-dessus la solution.) • (Remítase a la solución anterior.)</p>
<p>Pump does not deliver rated capacity. • La pompe ne pompe pas le volume normal. • La bomba no impele a su capacidad normal.</p>	<p>Lift too high for pump. • Aspiration trop puissante pour la pompe. • Altura de impulsión excesiva para la bomba.</p> <p>Low voltage, speed too slow. • Voltage et vitesse pas assez puissants. • Voltaje demasiado bajo, velocidad demasiado baja.</p> <p>Impeller or discharge pipe is clogged. • Obstruction de la roue à aubes ou du tuyau d'écoulement. • La rueda móvil en el tubo de descarga está ocluida.</p> <p>Impeller wear due to abrasives. • Usure de la roue à aubes due aux abrasifs. • Desgaste de la rueda móvil, debido a abrasivos.</p>	<p>Check rated pump performance. • Vérifier les caractéristiques techniques de la pompe. • Verifique el rendimiento normal de la bomba.</p> <p>Check for proper supply voltage to make certain it corresponds to nameplate voltage. • S'assurer que le voltage correspond bien à celui mentionné sur la plaque. • Verifique que el suministro de electricidad sea adecuado, para cerciorarse de que corresponde al voltaje indicado en la placa del fabricante.</p> <p>Pull pump and clean. Check pipe for scale or corrosion. • Tirer la pompe pour la nettoyer. Vérifier la présence de dépôts ou de corrosion dans les tuyaux. • Saque la bomba y límpiela. Inspeccione el tubo, en busca de capas de óxido o corrosión.</p> <p>Replace worn impeller. • Remplacer la roue à aubes usée. • Cambie la rueda móvil gastada.</p>
<p>Pump cycles continually. • La pompe recommence son cycle sans s'arrêter. • La bomba se enciende y apaga continuamente</p>	<p>No check valve in long discharge pipe allowing liquid to drain back into sump. • Absence de soupape d'arrêt dans le grand tuyau d'écoulement ainsi permettant l'écoulement du liquide dans le puisard de réception. • Falta la válvula de retención en el tubo de descarga largo, lo cual permite que el líquido refluya a la sumidero.</p> <p>Check valve leaking. • Fuite à la soupape d'arrêt. • Escape en la válvula de retención.</p> <p>Basin too small for inflow. • Bassin de réception trop petit pour l'afflux. • El fondo del sumidero es muy pequeño o está inundado.</p>	<p>Install a check valve in discharge line. • Installer une soupape d'arrêt sur le tuyau d'écoulement. • Instale una válvula de retención en la tubería de descarga.</p> <p>Inspect check valve for correct operation. • Vérifier la soupape d'arrêt pour obtenir un bon fonctionnement. • Verifique que la válvula de retención funcione correctamente.</p> <p>Install larger basin. • Installer une bassin de réception plus grand. • Instale un sumidero con un fondo mayor.</p>

DECLARATION DE GARANTIE DE 2 ANS POUR EAUX D'EGOUT ET EFFLUENTS

GARANTIE LIMITÉE

LA PRÉSENTE GARANTIE ÉNONCE LA SEULE OBLIGATION DE LA SOCIÉTÉ ET LE RECOURS EXCLUSIF DE L'ACHETEUR POUR UN PRODUIT DÉFECTUEUX.

Franklin Electric Company, Inc et ses filiales (ci-après « la Société ») garantit que les produits accompagnés de cette garantie sont exempts de défauts de matériaux ou de fabrication de la Société existant au moment de la vente par la Société et qui se produisent ou existent pendant la période de garantie applicable. Tout distributeur, sous-distributeur, destinataire, utilisateur final et/ou consommateur, en acceptant la réception des produits, convient que le distributeur, sous-distributeur, destinataire, utilisateur final et/ou consommateur accepte expressément d'être lié par les termes de la garantie qui y sont énoncés.

I. Période de Garantie Applicable

Les produits accompagnés par cette garantie doivent être couverts par cette Garantie Limitée pour une période de 24 mois à compter de la date d'achat originale par le consommateur. En l'absence de preuves concrètes de la date d'achat, la période de garantie de ce produit commencera à partir de la date de fabrication du produit.

II. Instructions Applicables à cette Garantie Limitée

1. Les consommateurs qui souhaitent soumettre une réclamation de garantie doivent retourner les produits avec cette garantie au point de vente pour considération de garantie.
2. En cas de découverte d'un défaut, une lésion corporelle, un dommage matériel ou tout autre type de dommages en résultant, le cas échéant, doivent être raisonnablement atténués dans la mesure du possible.
3. À sa discrétion, la Société peut inspecter les produits, soit à ses installations, soit au site, et après détermination d'une réclamation de garantie, à sa discrétion, fera réparer ou remplacer les pièces défectueuses. Les pièces réparées ou remplacées seront retournées avec frais de transport prépayés par la Société.
4. Cette politique de garantie ne couvre pas les frais de main d'oeuvre ou d'expédition. La Société ne sera pas responsable des coûts ou des frais imputables à tout essai, entretien, installation, réparation ou enlèvement de produit, ou pour tout outil, fourniture, ou équipement nécessaire pour installer, réparer ou enlever tout produit.

III. Limitations Applicables à cette Garantie Limitée

CETTE GARANTIE NE S'APPLIQUE PAS AUX SUIVANTS:

1. Balais, impulseur ou came sur des modèles avec des moteurs de type balais et/ou des impulseurs flex-vane (à palette flex).
2. Tout produit qui n'est pas installé, appliqué, entretenu et utilisé conformément aux instructions publiées par la Société, aux codes et règlements applicables en vigueur et/ou aux normes généralement acceptées de l'industrie.
3. Tout produit qui a fait l'objet d'une utilisation anormale, d'une mauvaise application, de négligence, d'altération, d'accident, d'abus, de modification, d'actes de Dieu (y compris la foudre), d'actes de terrorisme, d'actes de guerre, d'incendie, d'un mauvais entreposage ou installation, d'une mauvaise utilisation, d'un mauvais entretien ou d'une mauvaise réparation, de dommages ou pertes, ou d'une utilisation au-delà des maximums recommandés, comme énoncés dans les instructions du produit.
4. Tout produit qui est utilisé avec un accessoire, matériel, composant, ou pièce non expressément agréés par la Société.
5. L'utilisation de pièces de rechange non vendues par la Société, l'addition non autorisée de produits ne provenant pas de la Société à d'autres produits de la Société, et la modification non autorisée des produits de la Société.
6. Les produits endommagés par l'usure normale, les services habituels d'entretien et les pièces utilisées dans le cadre de ces services, ou toute autre condition hors du contrôle de la Société.
7. N'importe quel produit qui a été utilisé à des fins autres que celles pour lesquelles il a été conçu et fabriqué.
8. Toute utilisation du produit pour laquelle les instructions d'installation et/ou les instructions d'utilisation n'ont pas été suivies.
9. Les produits branchés à une tension autre que celle indiquée sur la plaque signalétique.
10. Les produits dont la pompe a été exposée à l'un des suivants : sable, gravier, ciment, graisse, plâtre, boue, goudron, hydrocarbures, dérivés d'hydrocarbures (huile, essence, solvants, etc) ou d'autres substances abrasives ou corrosives.
11. Les produits dans lesquels la pompe a été utilisée pour le pompage de liquides au-dessus de 140°F.
12. Des produits dans lesquels la pompe a été autorisée à fonctionner à sec (alimentation en liquide coupée).

13. Les produits dans lesquels la carcasse de moteur scellée a été ouverte ou le produit a été autrement démonté par le client.
14. Les produits dans lesquels le cordon a été coupé à une longueur de moins de trois pieds.

La Société se réserve le droit, à tout moment, et de temps à autre, d'apporter des changements à la conception et/ou des améliorations à ses produits sans pour autant imposer une quelconque obligation sur elle-même d'apporter des modifications ou des améliorations correspondantes dans ou sur ses produits déjà fabriqués et/ou déjà vendus. La Société se réserve également le droit de remplacer des pièces ou des composants d'une qualité sensiblement égale dans tout service de garantie exigé par l'exécution de cette Garantie Limitée.

Cette Garantie Limitée écrite est l'entière garantie autorisée et offerte par la Société. Il n'existe aucune garantie ou représentations autres que celles exprimées dans ce document.

CETTE GARANTIE ET CE RECOURS SONT EN LIEU ET PLACE DE TOUTES LES AUTRES GARANTIES ET RECOURS Y COMPRIS, SANS S'Y LIMITER, AUX GARANTIES DE VALEUR MARCHANDE ET/OU D'ADAPTATION À UN USAGE PARTICULIER, QUI SONT ICI SPECIFIQUEMENT REJETES ET EXPRESSEMENT EXCLUS. LA CORRECTION DES NON-CONFORMITÉS, DE LA FACON ET POUR LA PÉRIODE DE TEMPS COMME ENONCÉES CI-DESSUS, CONSTITUE LA RÉALISATION DE TOUTE LA RESPONSABILITÉ DE LA SOCIÉTÉ ENVERS L'ACHETEUR QUE CELA SOIT SUR LA BASE D'UN CONTRAT, D'UNE NÉGLIGENCE OU AUTRE.

LA SOCIETE NE SERA PAS RESPONSABLE DES DOMMAGES DIRECTS, INDIRECTS OU SPÉCIAUX COMME, MAIS SANS S'Y LIMITER :

DOMMAGES A OU PERTES D'AUTRES BIENS OU EQUIPEMENTS, PERTE D'UTILISATION D'EQUIPEMENT, INSTALLATIONS OU SERVICES, PERTE DE BÉNÉFICES OU DE VENTES, COUT D'ACHATS OU DE PRODUITS DE RECHANGE, RECLAMATIONS DES CLIENTS DE L'ACHETEUR, OMISSION D'AVERTIR ET/OU DE NOTIFIER, PERTE D'AUTRES PRODUITS, OU COUTS D'ASSAINISSEMENT DE L'ENVIRONNEMENT, OU DIMINUTION DE LA VALEUR DE LA PROPRIETE. LE RECOURS DE L'ACHETEUR ENONCE DANS LE PRESENT DOCUMENT EST EXCLUSIF ET LA RESPONSABILITÉ DE LA SOCIETE NE PEUT EXCEDER, SAUF STIPULATION CONTRAIRE EXPRESSE, LE PRIX DES PRODUITS SUR LESQUELS CETTE RESPONSABILITE REPOSE. LES DOMMAGES COMME ENONCES DANS CE PARAGRAPHE DOIVENT ETRE RAISONNABLEMENT ATTENUÉS DANS LA MESURE DU POSSIBLE. CE PARAGRAPHE S'APPLIQUERA EGALEMENT A TOUS LES DOMMAGES RESULTANT DES CONDITIONS ENONCEES DANS LA SECTION III CI-DESSUS ET (1) AUX DEFAUTS DANS LES PROTOTYPES DE PRODUIT OU LES PROTOTYPES DE PIECE DE RECHANGE QUI N'ONT PAS ETE MIS EN PRODUCTION, DISTRIBUES ET VENDUS PAR LA SOCIETE, ET / OU (2) AUX DEFAUTS QUI N'ONT PAS ÉTÉ TROUVÉS AU MOMENT DE LA VENTE POUR DES RAISONS SCIENTIFIQUES ET TECHNOLOGIQUES.

Cette Garantie Limitée vous donne des droits légaux spécifiques. Vous pouvez avoir d'autres droits, qui varient selon les lois et règlements applicables. Si toute stipulation de cette garantie est interdite par ces lois, elle sera nulle et sans effet, mais le reste de la présente garantie demeurera en vigueur.

AVIS DE NON-RESPONSABILITE : Les déclarations orales concernant le produit effectuées par le vendeur, la Société, les représentants ou toutes autres parties, ne constituent pas une garantie. L'utilisateur ne doit pas s'y fier, et elles ne font pas partie du contrat de vente. La seule obligation du vendeur et de la Société, et l'unique recours de l'acheteur, est le remplacement et/ou la réparation du produit par la Société selon les modalités décrites précédemment. Avant l'utilisation, l'utilisateur doit déterminer l'aptitude du produit pour son utilisation prévue, et l'utilisateur assume tous les risques et la responsabilité dans n'importe quel cadre avec lequel le produit sera associé.

LittleGIANT®





**6EC-CIA-SFS
6EC-CIA-RF
6EC-CIM
10EC-CIA-SFS
10EC-CIA-RF
10EC-CIM**


Manual del Usuario


Antes de empezar


Lea y siga las instrucciones de seguridad. Vea las placas de datos del producto para obtener instrucciones de operación y especificaciones adicionales.

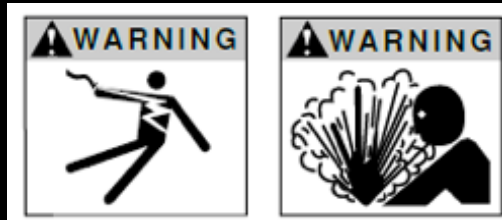
Este es un símbolo de alerta de seguridad. Cuando vea este símbolo  en su bomba o en este manual, busque alguna de las siguientes palabras de señalización y esté alerta a la posibilidad de lesiones personales:

 PELIGRO Este símbolo advierte sobre peligros que ocasionarán lesiones personales graves, muerte o daños mayores a la propiedad si son ignorados.

 ADVERTENCIA Este símbolo advierte sobre peligros que pueden ocasionar lesiones personales graves, muerte o daños mayores a la propiedad si son ignorados.

 PRECAUCIÓN Este símbolo advierte sobre peligros que ocasionarán o podrán ocasionar lesiones personales menores o daños mayores a la propiedad si son ignorados.

 AVISO indica instrucciones especiales que son importantes pero no están relacionadas a los peligros. Lea cuidadosamente y cumpla todas las instrucciones de seguridad en este manual y en la bomba.



ADVERTENCIA

RIESGO DE DESCARGA ELÉCTRICA - Esta bomba viene equipada con un conductor a tierra y un enchufe del tipo con conexión a tierra. Para reducir el riesgo de descarga eléctrica, asegúrese que se conecte solo a un receptáculo del tipo con conexión a tierra que esté conectado apropiadamente a tierra. Desconecte la alimentación antes de trabajar en el sistema Inline o cerca de él. No use el sistema Inline en áreas donde se practique natación.

Este equipo debe ser instalado por personal técnicamente calificado. El incumplimiento de las regulaciones locales y nacionales, así como de las recomendaciones de Franklin Electric, puede resultar en descargas eléctricas, riesgo de incendio, desempeño insatisfactorio o fallas en el equipo. Puede obtener la información para la instalación de los fabricantes o distribuidores de la bomba, o llamando directamente a Franklin Electric a nuestra línea gratuita, 1-800-348-2420.

Los niños o personas con habilidades físicas, sensoriales o mentales reducidas o sin experiencia, no deben usar este equipo a menos que estén supervisados o se les den instrucciones. Los niños no deben usar el equipo y no deben jugar con el equipo o en sus cercanías.

Si el cable de alimentación está dañado, solo debe ser reemplazado por personal calificado.

PRECAUCIÓN

- Mantenga limpia, bien iluminada y despejada el área de trabajo.
- Mantenga las etiquetas de seguridad limpias y en buenas condiciones.
- Use gafas de seguridad mientras está instalando o dando mantenimiento a la bomba.
- No opere la bomba en seco. Llene la bomba con agua antes de arrancarla o se dañará la bomba.
- Asegúrese de que toda la ALIMENTACIÓN ELÉCTRICA ESTÁ APAGADA antes de conectar cualquier cable eléctrico. Cablear el Sistema de presurización Inline al voltaje correcto. Siga todas las instrucciones de cableado de la bomba que se proporcionan en la sección "Cableado" de este manual.

Índice

Antes de empezar	34
Instalacion Típica	35
Especificaciones	36
Curvas del Funcionamiento de La Bomba.....	36
Conexiones Electricas	37
Funcionamiento.....	38
Prueba del Funcionamiento de la Bomba	38
Instrucciones de Servicio	39
Lista de Partes.....	40
Informacion de Investigacio de Averias	42
Garantia Limitada	43

6EC - 10EC Series

Empezar

Esta hoja de instrucciones le proporciona la información requerida para tener y operar de forma segura su producto. Guarde las instrucciones para referencia futura.

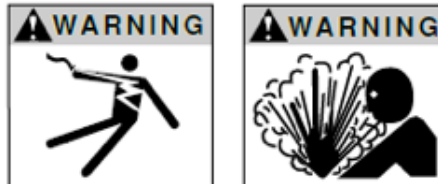
El producto que ha adquirido se fabrica utilizando mano de obra y materiales de la más alta calidad y ha sido diseñado para prestarle un servicio duradero y confiable. Los productos son cuidadosamente probados, inspeccionados y empacados para garantizarle una entrega y operación seguras. Examine su unidad cuidadosamente para asegurarse de que no haya ocurrido ningún daño durante el transporte. Si se ha presentado algún daño, comuníquese con el lugar de compra. Deberán darle asistencia para obtener la reparación o reemplazo, si se requiere.

LEA ESTAS INSTRUCCIONES CUIDADOSAMENTE ANTES DE INTENTAR INSTALAR, HACER FUNCIONAR O PRESTAR SERVICIO TÉCNICO A SU PRODUCTO. CONOZCA CUÁLES SON LAS APLICACIONES, LIMITACIONES Y PELIGROS POTENCIALES DE LA UNIDAD. PROTEJA A TERCEROS Y PROTÉJASE A USTED MISMO SIGUIENDO TODA LA INFORMACIÓN DE SEGURIDAD. ¡LA FALTA DE CUMPLIMIENTO DE ESTAS INSTRUCCIONES PUEDE PRODUCIR LESIONES PERSONALES Y/O DAÑOS A LA PROPIEDAD!

Descripción

La bomba que ha comprado es una bomba efluente sumergible para uso en recipientes o en estaciones ascensoras y es adecuada para bombear aguas de alcantarillas, efluentes, aguas de desperdicio y otros líquidos no explosivos y no corrosivos con sólidos esféricos de hasta 1/2 pulgada.

Reglamento de Seguridad

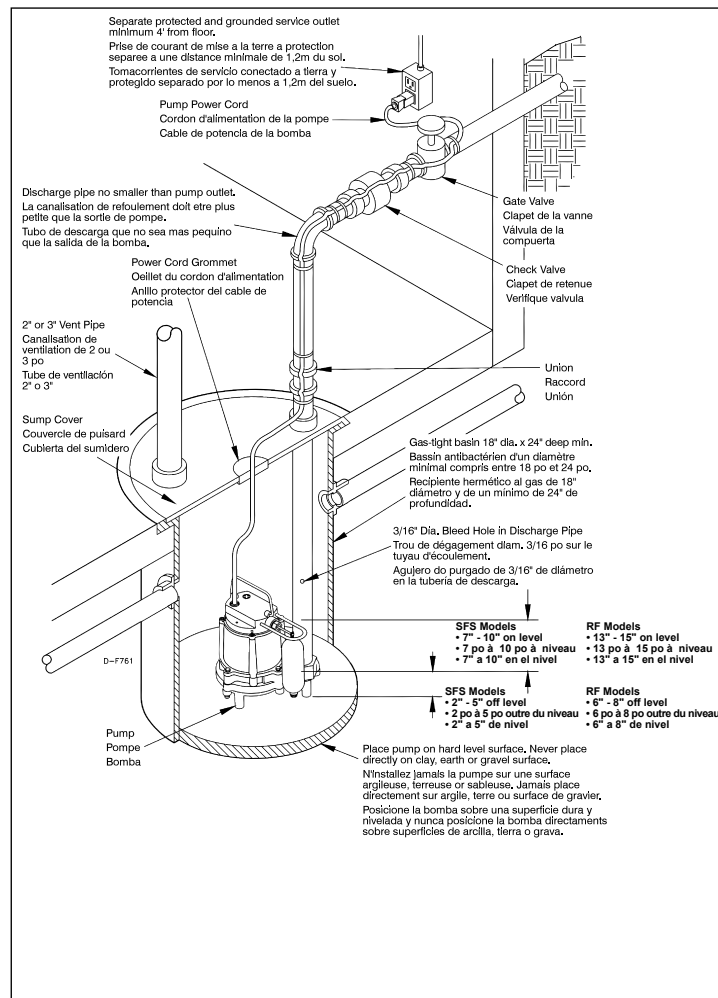


1. Cerciórese de que la unidad se encuentra desconectada de la fuente de electricidad, antes de tratar de reparar o quitar cualquier pieza.
2. No use la unidad para bombear líquidos inflamables ni explosivos tales como gasolina, fueloil, queroseno, etc. **NO SE USE** en ambientes explosivos o lugares epligrosos, según la clasificación del código eléctrico nacional (NEC) y la norma NFPAT del Instituto Nacional Norteamericano de Normas. No use la unidad en ambientes explosivos. La bomba se debe usar con líquidos compatibles con los materiales de los componente de la bomba.
3. No manipule la bomba con las manos mojadas, ni mientras se encuentre en una superficie mojada o húmeda o entre el agua.
4. No saque la bomba del agua tirando del cable de potencia cuando la bomba está en funcionamiento o cuando está conectada a la fuente de potencia.
5. Esta bomba se suministra con un conductor a tierra y/o un enchufe de conexión de tipo de conexión a tierra. Para reducir el riesgo de descarga eléctrica asegúrese de conectar la unidad a un receptáculo del tipo polarizado y adecuadamente conectado a tierra.
6. El Código Eléctrico Nacional (National Electric Code) requiere la instalación de un interruptor de circuito por falla a tierra (GFCI) en el ramal del circuito que suministra la corriente a fuentes, piscinas, etc.

7. En cualquier instalacion donde puedan ocurrir daños materiales y/o lesiones personales que resulten del funcionamiento inadecuado o de fugas en la bomba a causa de fallos en la alimentacion electrica, bloqueo de la linea de la descarga, o cualquier otra razon, se debera usar uno o varios sistemas de respaldo y/o alarmas.
8. Apoye la bomba y la tuberia durante el ensamblado de la unidad y al completar la instalacion. El no hacerlo asi puede causar la ruptura de la tuberia, el fallo de la bomba, el fallo de los cojinetes del motor, etc.
9. El alojamiento del motor de esta bomba está lleno con un aceite dieléctrico para la transferencia de calor y la lubricación de por vida de los cojinetes. Este aceite no es tóxico para la vida acuática. Sin embargo, puede ocurrir la muerte de ésta, si el aceite queda sobre la superficie. Para quitar rápidamente el aceite que pueda haberse escapado del alojamiento del motor, coloque periódicos sobre la superficie del agua para absorber el aceite.
10. El motor de la bomba está equipado con un protector térmico de reposición automática y puede reposicionarse inesperadamente. El accionamiento del protector es una indicación de sobrecarga del motor debida a un voltaje demasiado alto o bajo, un cableado inadecuado, conexiones de motor incorrectas o un motor o bomba defectuosos.

Instalacion Tipica

Figure 1



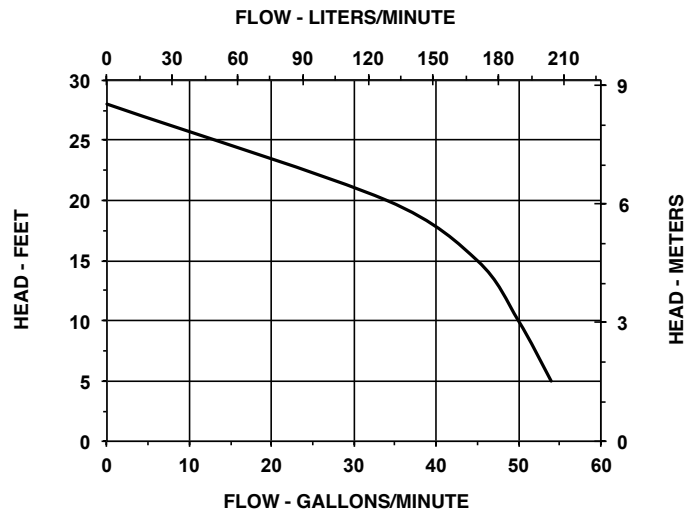
6EC - 10EC Series

Especificaciones

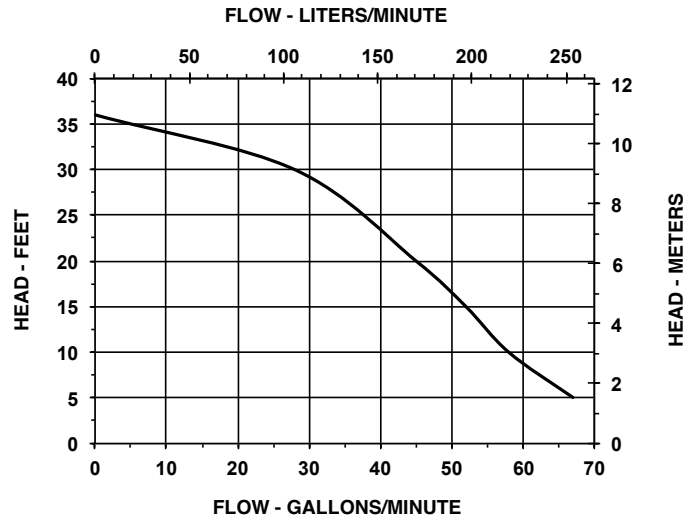
	GALLONS PER MINUTE, AT HEIGHT LITRES PAR MIUNTE Á LA HAUTEUR LITRES POR MINUTO, A UNA ALTURA					Shut Off Descibexion Debit Nul
	5' 1.5 m	10' 3 m	15' 4.5 m	20' 6.1 m	30' 9.1 m	
6EC	53	50	42	34	-	28'
	201	189	159	129		8.5 m
10EC	67	57	47	42	24	36'
	254	216	178	159	91	11 m

Curvas del funcionamiento de la bomba

6EC



10EC



Conexiones Electricas

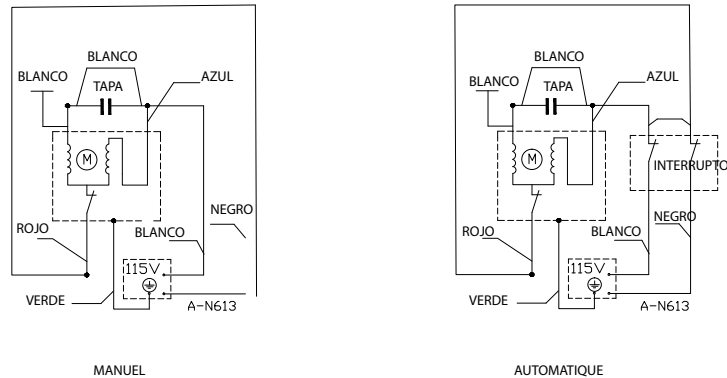


1. Consulte el rótulo de la bomba, para conocer el voltaje adecuado que se requiere. No la conecte a un voltaje distinto del indicado.
2. Si la bomba está dotada de un enchufe eléctrico de tres dientes, el tercer diente es para ponerla a tierra, con el fin de prevenir el peligro de posibles choques eléctricos. **NO QUITE** el tercer diente del enchufe. Se recomienda un circuito de ramal independiente. No utilice cables de extensión. No corte el enchufe del cable. Si se corta el enchufe o se acorta el cable, la garantía será nula.
3. Verifique los códigos locales de construcción y eléctricos antes de la instalación. La instalación debe estar de acuerdo con los reglamentos así como con el Código Eléctrico Nacional (National Electrical Code; NEC) más reciente.
4. Para cumplir con el Código Eléctrico Nacional, se deben cablear todas las bombas con hilo de 14 AWG o más grande. Para extensiones de hasta 250 pies es suficiente el hilo de 14 AWG. Para extensiones mayores, consulte a un electricista o a la fábrica.
5. La bomba debe estar conectada o cableada a su propio circuito sin ninguna otra salida o equipo en la línea del circuito. Los fusibles y el disyuntor deben ser de capacidad amplia en el circuito eléctrico.
6. El ensamblaje de cable flexible con cubierta de PVC que está montado en la bomba no se debe modificar, a menos que se acorte el cable para ajustarlo a un panel de control. Cualquier empalme entre la bomba y el panel de control se debe hacer dentro de una caja de conexión y se debe montar fuera del recipiente y debe cumplir con el Código Eléctrico Nacional.
7. Las bombas 6EN-CIA-RF tienen interruptores automáticos con enchufes de conexión trasera en los cables de los interruptores. La bomba debe estar enchufada en el enchufe de conexión trasera del cable del interruptor para funcionar en forma automática.

CONSULTE LAS ILUSTRACIONES DE LA HOJA DE INSTRUCCIONES, PARA MONTAR Y DESMONTAR CORRECTAMENTE SU BOMBA LITTLE GIANT.

6EC - 10EC Series

Figure 2



6EC/10EC SERIES

Funcionamiento

1. La bomba se debe instalar en un recipiente hermético a gas adecuado que tenga un diámetro de al menos 18” y una profundidad de 24” y que tenga ventilación según los códigos de plomería locales.
2. La bomba viene con una descarga de NPT hembra de 1½”.
3. La bomba debe colocarse sobre una superficie dura, nivelada. Nunca coloque la bomba directamente sobre superficies de arcilla, tierra o grava.
4. Una válvula de verificación debe ser usada en la línea de descarga para impedir que el líquido se regrese al recipiente. La válvula de verificación debe ser una válvula de flujo libre por la cual puedan pasar sólidos fácilmente.

ADVERTENCIA: Para un mejor funcionamiento de las válvulas de verificación, instale en posición horizontal o a un ángulo de no más de 45 grados al manejar sólidos. No instale la válvula de verificación en posición vertical, ya que los sólidos se pueden quedar en la válvula e impedir la apertura en el momento de activación.

5. No permita que la unidad funcione en seco. Está diseñada para que la enfríen los líquidos bombeados. Si se permite que la bomba funcione en seco, puede estropearse el obturador y el motor puede caerse.
6. No deje que la unidad en operacin se quede sin agua. Esta diseñada para ser enfriada por medio del bombeo de líquido. Usted puede dañar el sello y el motor puede fallar si se permite que la bomba opere sin agua.
7. Si la unidad se mantiene sin funcionar por un período de tiempo largo, siga las instrucciones de limpieza descritas en la próxima sección. No permita que la unidad se congele. Esto puede causar agrietamiento o deformaciones, lo cual puede dest ruir la unidad.

Prueba del Funcionamiento de La Bomba

Bomba Sefluentes de Serie CIA

1. Estas bombas están equipadas con un interruptor mecánico operado por un flotador.
2. Cuando estas bombas sean instaladas en un contenedor con cubierta sellada, el interruptor de operacion no puede ser observado. La cubierta del sumidero usualmente tendra una abertura adicional que se conecta con un tapon de goma. Este tapon puede ser removido y el interruptor de operacion podra ser observado.

3. Enchufe el cable de potencia a un receptáculo conectado a tierra con un voltaje que sea consistente con el voltaje de la bomba, como se indica en la placa de nombre de la bomba.
4. Deje entrar agua dentro de la bomba hasta que empiece a funcionar.
5. Asegúrese de que la válvula de compuerta en la línea de descarga esté abierta.
6. Permita que la bomba ejecute varios ciclos de apagado y encendido.

Bomba Sefluentes de Serie CIM

1. El cable de la bomba para estas bombas se puede enchufar directamente en un receptáculo apropiadamente conectado a tierra con un voltaje que sea consistente con la placa de nombre de la bomba para un funcionamiento de la bomba continuo.

PRECAUCION: Este tipo de operación se debe usar sólo en emergencias o cuando se necesita bombear una gran cantidad de agua. La bomba no se debe dejar funcionar sin agua. Si la bomba se seca, se puede dañar y anular la garantía.

Instrucciones de Servicio



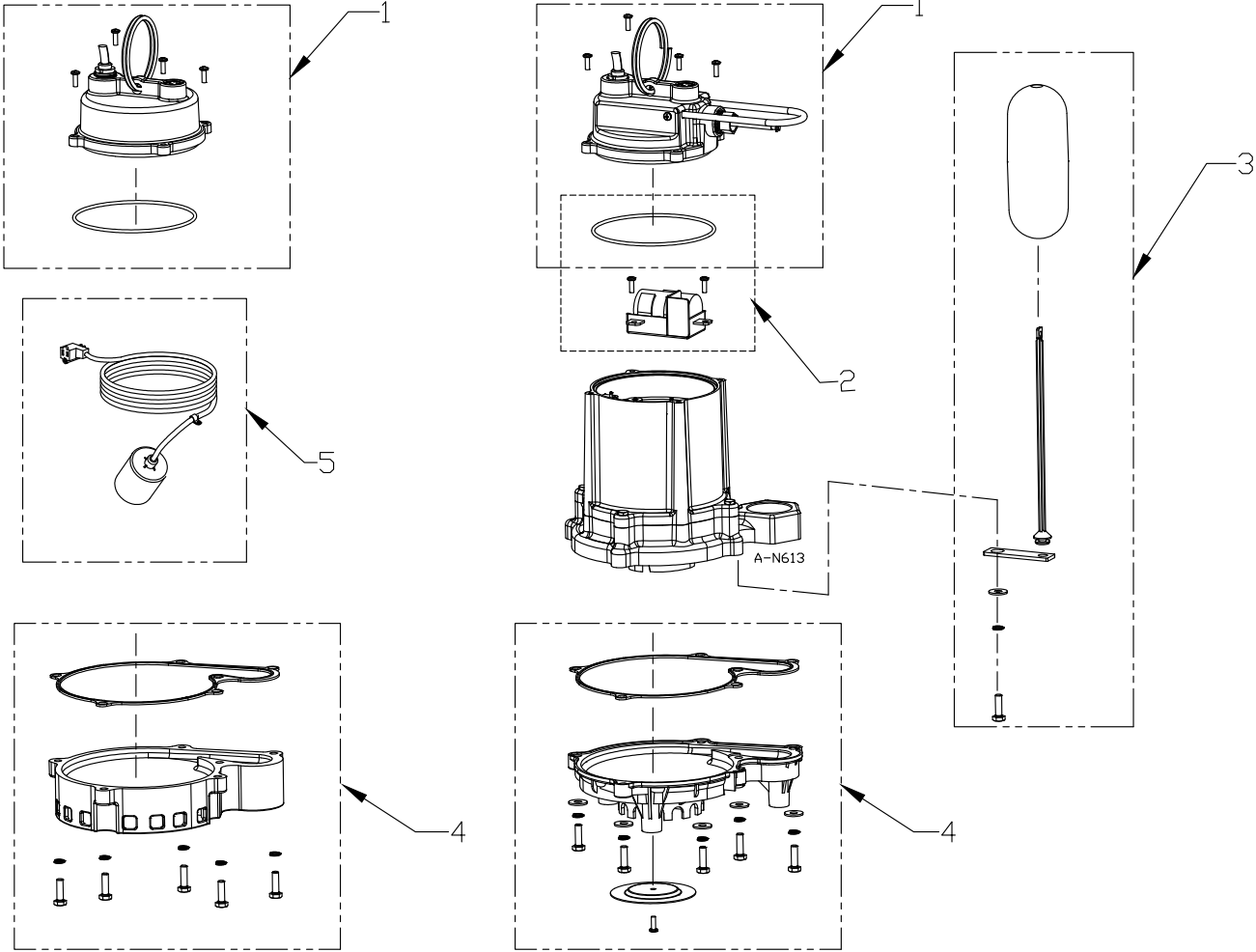
Instrucciones

ADVERTENCIA;ASEGURESE DE QUE LA UNIDAD ESTE DESCONECTADA DE LA FUENTA DE ALIMENTACION ELECTRICA ANTES DE INTENTAR PRESTAR SERVICIO A LA UNIDAD O QUITAR CUALQUIER COMPONENTE DE ELLA!

1. Si la bomba no funciona apropiadamente, consulte el plano de investigación de averías. Si no puede encontrar el problema siguiendo estos pasos, consulte al distribuidor de la bomba o lleve la bomba a un centro de servicio autorizado de Little Giant.
2. Esta unidad se encuentra lubricada permanentemente. No se requiere lubricación. Jamás, en ningún caso, abra la parte de la unidad que está sellada o retire los tornillos de la caja.
3. Una limpieza periódica de las piezas de la bomba prolongará la VIDA y EFICIENCIA de la bomba. Vea para montar y desmontar la cabeza de bombeo.
4. Quite los tornillos que sostienen la base de la voluta y limpie el impulsor y el pasaje de la voluta. No use solventes fuertes en el impulsor.
5. Asegúrese de que el impulsor gire libremente antes de limpiarlo.
6. **ADVERTENCIA: NO quite el impulsor. PARA QUITAR EL IMPULSOR SE REQUIEREN HERRAMIENTAS ESPECIALES Y ESTO DEBE HACERSE SOLO EN UN CENTRO DE SERVICIO AUTORIZADO. NO quite la cubierta de la caja del motor. LA GARANTIA ES NULA SI SE QUITA LA CUBIERTA DE LA CAJA DEL MOTOR, EL IMPULSOR O LOS OBTURADORES. CUALQUIER REPARACION DEL MOTOR DEBE HACERSE EN UN CENTRO DE SERVICIO AUTORIZADO DE LITTLE GIANT.**
7. Asegúrese de que el cable de potencia esté en buenas condiciones y que no tenga cortes o rasgaduras.

6EC - 10EC Series

Lista de Partes



Lista de Partes

Item #	Description	Balloon Number
110970102	Cover Assembly, 230 V, Automatic, with Switch, 20' Cord, • Assemblée de couverture, 230 V, automatiques, avec le commutateur, corde 20' • Montaje del tapizado, 230 V, automáticos, con el interruptor, cuerda 20'	1
110970103	Cover Assembly, 115 V, Manual, 20' Cord, • Assemblée de couverture, 115 V, manuel, corde 20', • Montaje del tapizado, 115 V, manual, cuerda 20'	1
110970104	Cover Assembly, 230 V, Manual, 20' Cord, • Assemblée de couverture, 230 V, manuel, corde 20', • Montaje del tapizado, 230 V, manual, cuerda 20'	1
110970201	Capacitor kit, 115 V, with Bracket, Seal Ring • Kit de condensateur, 115 V, avec la parenthèse, anneau du joint • Kit del condensador, 115 V, con el soporte, anillo de cierre	2
110970202	Capacitor kit, 230 V, with Bracket, Seal Ring • Kit de condensateur, 230 V, avec la parenthèse, anneau du joint • Kit del condensador, 230 V, con el soporte, anillo de cierre	2
110970301	Float Assembly with Stem strap • Assemblée de flotteur de tige courroie • Asamblea del flotador, con el vástago, correa	3
110970401	Volute Base, Plastic, with Gasket • Base Volute, plastique, avec la garniture • Base Volute, plástico, con la junta	4
110970402	Volute Base, Cast Iron, with Gasket • Base Volute, fer de fonte, avec la garniture • Base Volute, hierro fundido, con la junta	4
599118	Remote Float Switch, 10' Cord, 115/230 V • Le commutateur de flotteur à distance, 10' attachent, 115/230 V • El interruptor de flotador alejado, 10' Cord, 115/230 V	5
599210	Remote Float Switch, 20' Cord, 115/230 V • Le commutateur de flotteur à distance, 20' attachent, 115/230 V • El interruptor de flotador alejado, 20' Cord, 115/230 V	5

6EC - 10EC Series

Informacion de Investigacio de Averias

PROBLEM • FONCTIONNEMENT DÉFECTUEUX • PROBLEMA	PROBABLE CAUSES • CAUSES PROBABLES • CAUSAS PROBABLES	CORRECTIVE ACTION • SOLUTIONS • SOLUCION
Pump does not turn on. • La pompe ne peut être mise sous tension. • La bomba no se activa.	Pump not plugged in. • La pompe n'est pas branchée. • La bomba no está enchufada.	Plug in pump. • Branchez le puisard. • Enchufar la bomba.
	Circuit breaker shut-off or fuse removed. • Disjoncteur coupé ou fusible enlevé. • Desactivación del disyuntor o se ha retirado el fusible.	Turn on circuit breaker or replace fuse. • Mettez le disjoncteur sous tension ou remplacez le fusible. • Active el disyuntor o reemplace el fusible.
	Accumulation of trash on float. • Accumulation de débris sur le flotteur. • Acumulación de desperdicios en el flotador.	Clean float. • Nettoyez le flotteur. • Limpie el flotador.
	Float obstruction. • Flotteur bloqué. • Obstrucción del flotador.	Check float path and provide clearance. • Vérifiez la voie de passage du flotteur et dégagez-la au besoin. • Verifique el flotador y proporcione espacio limpio.
	Defective switch. • Interrupteur défectueux. • Interruptor defectuoso.	Have pump serviced by authorized service center. • Faites réparer la pompe à un centre de service autorisé. • Lleve la bomba a un centro de servicio autorizado.
Pump will not shut-off. • Le moteur de la pompe ne s'arrête pas. • La bomba no se apaga.	Float or float rod obstruction. • Flotteur bloqué ou tige du flotteur bloquée. • Obstrucción del flotador o de la barra del flotador.	Check float and float rod path and provide clearance. • Vérifiez la voie de passage du flotteur et de la tige du flotteur et dégagez-les au besoin. • Verifique el flotador y el trayecto de la barra de flotación y proporcione espacio limpio.
	Pump is air locked. • Poche d'air dans la pompe. • Burbujas de aire en la bomba.	Shut power off for approximately 1 minute, then restart. Repeat several times to clear air from pump. • Couper le courant pendant 1 minute environ puis recommencer. Répéter cette opération plusieurs fois pour évacuer l'air de la pompe. • Desconecte la electricidad durante un minuto, aproximadamente. Luego, vuélvala a conectar. Repita varias veces, para purgar el aire de la bomba.
	Liquid inflow matches pump capacity. • Afflux de liquide correspondant au volume de la pompe. • El caudal que entra es igual a la capacidad de la bomba.	Larger pump required. • Une pompe plus puissante est nécessaire. • Se requiere una bomba mayor.
	Defective switch. • Commutateur défectueux. • Interruptor defectuoso	Disconnect switch, check w/ohmmeter, open-infinite resistance, closed-zero. • Débrancher le commutateur, vérifier avec un ohmmètre. Ouvert-résistance infinie, fermé-zéro. • Desconecte el interruptor e inspecciónelo con el ohmímetro; abierto, resistencia infinita; cerrado, cero.
Pump runs but does not discharge liquid. • La pompe fonctionne mais il n'y a pas d'écoulement de liquide. • La bomba funciona, pero no descarga líquido.	Check valve installed backwards. • Montage à l'envers de la soupape d'arrêt • Válvula de retención montada al revés	Check flow indicating arrow on check valve body to ensure it is installed properly. • Vérifier la flèche indiquant l'écoulement pour s'assurer que la soupape d'arrêt est bien montée. • Inspeccione la flecha indicadora del flujo en el cuerpo de la válvula de retención, para cerciorarse de que se encuentre instalada correctamente.
	Check valve stuck or plugged. • Soupape d'arrêt bloquée ou obstruée. • Válvula de retención atorada u ocluida.	Remove check valve and inspect for proper operation. • Démontez et vérifiez la soupape d'arrêt pour un bon fonctionnement. • Quite la válvula de retención, y verifique que funcione debidamente.
	Lift too high for pump. • Aspiration trop puissante pour la pompe. • Altura de impulsión excesiva para la bomba.	Check rating table. • Vérifier le tableau d'évaluation. • Estudie la tabla de capacidad.
	Inlet to impeller plugged. • Arrivée de la roue à aubes obstruée. • Toma de la rueda móvil conectada.	Pull pump and clean. • Tirer la pompe pour la nettoyer. • Saque la bomba y límpiela.
	Pump is air locked. • Présence d'une poche d'air dans la pompe. • La bomba está llena de burbujas de aire.	(See corrective action above.) • (Voir ci-dessus la solution.) • (Remítase a la solución anterior.)
Pump does not deliver rated capacity. • La pompe ne pompe pas le volume normal. • La bomba no impele a su capacidad normal.	Lift too high for pump. • Aspiration trop puissante pour la pompe. • Altura de impulsión excesiva para la bomba.	Check rated pump performance. • Vérifier les caractéristiques techniques de la pompe. • Verifique el rendimiento normal de la bomba.
	Low voltage, speed too slow. • Voltage et vitesse pas assez puissants. • Voltaje demasiado bajo, velocidad demasiado baja.	Check for proper supply voltage to make certain it corresponds to nameplate voltage. • S'assurer que le voltage correspond bien à celui mentionné sur la plaque. • Verifique que el suministro de electricidad sea adecuado, para cerciorarse de que corresponde al voltaje indicado en la placa del fabricante.
	Impeller or discharge pipe is clogged. • Obstruction de la roue à aubes ou du tuyau d'écoulement. • La rueda móvil en el tubo de descarga está ocluida.	Pull pump and clean. Check pipe for scale or corrosion. • Tirer la pompe pour la nettoyer. Vérifier la présence de dépôts ou de corrosion dans les tuyaux. • Saque la bomba y límpiela. Inspeccione el tubo, en busca de capas de óxido o corrosión.
	Impeller wear due to abrasives. • Usure de la roue à aubes due aux abrasifs. • Desgaste de la rueda móvil, debido a abrasivos.	Replace worn impeller. • Remplacer la roue à aubes usée. • Cambie la rueda móvil gastada.
Pump cycles continually. • La pompe recommence son cycle sans s'arrêter. • La bomba se enciende y apaga continuamente	No check valve in long discharge pipe allowing liquid to drain back into sump. • Absence de soupape d'arrêt dans le grand tuyau d'écoulement ainsi permettant l'écoulement du liquide dans le puisard de réception. • Falta la válvula de retención en el tubo de descarga largo, lo cual permite que el líquido refluya a la sumidero.	Install a check valve in discharge line. • Installer une soupape d'arrêt sur le tuyau d'écoulement. • Instale una válvula de retención en la tubería de descarga.
	Check valve leaking. • Fuite à la soupape d'arrêt. • Escape en la válvula de retención.	Inspect check valve for correct operation. • Vérifier la soupape d'arrêt pour obtenir un bon fonctionnement. • Verifique que la válvula de retención funcione correctamente.
	Basin too small for inflow. • Bassin de réception trop petit pour l'afflux. • El fondo del sumidero es muy pequeño o está inundado.	Install larger basin. • Installer une bassin de réception plus grand. • Instale un sumidero con un fondo mayor.

CERTIFICADO DE GARANTÍA DE 2 AÑOS - AGUAS RESIDUALES Y EFLUENTES

GARANTÍA LIMITADA

ESTA GARANTÍA ESTIPULA LA ÚNICA OBLIGACIÓN DE LA COMPAÑÍA Y EL ÚNICO RECURSO QUE TENDRÁ EL COMPRADOR ANTE UN PRODUCTO DEFECTUOSO.

Franklin Electric Company, Inc y sus subsidiarias (en adelante “la Compañía”) garantizan que los productos que están acompañados por esta garantía se encuentran libres de defectos de material o mano de obra de la Compañía que existan al momento de la venta por parte de la Compañía y que ocurran o aparezcan dentro del período de validez de la garantía. Cualquier distribuidor, subdistribuidor, receptor, usuario final o consumidor acuerdan que al aceptar el recibo del producto, el distribuidor, subdistribuidor, receptor, usuario final y/o consumidor implícitamente aceptan que están obligados a los términos de la garantía que aquí se establecen.

I. Período de Garantía Aplicable

Los productos que están acompañados por esta garantía serán cubiertos por esta Garantía Limitada por un período de 24 meses desde la fecha original de compra por parte del consumidor. Ante la falta de pruebas adecuadas respecto de la fecha de compra, el período de garantía de este producto entrará en vigencia a partir de su fecha de fabricación.

II. Instrucciones Aplicables a esta Garantía Limitada

1. Los consumidores que deseen presentar un reclamo de garantía deberán devolver los productos acompañados por esta garantía al punto de compra para consideración de la garantía.
2. Ante el descubrimiento de un defecto, cualquier lesión personal, daño a la propiedad o cualquier otro tipo de daño que resulte, si aplica, será razonablemente mitigado hasta donde sea posible.
3. A su criterio, la Compañía puede inspeccionar los productos ya sea en sus instalaciones o en el campo, y luego de la determinación del reclamo de garantía, según dictamine, reparará o cambiará las piezas defectuosas. Las piezas que fueron reparadas o cambiadas serán devueltas por medio de un flete prepago por parte de la Compañía.
4. Esta garantía no cubre ningún cargo por mano de obra o transporte. La Compañía no se responsabilizará por ningún costo o cargo que esté relacionado a cualquier prueba del producto, su mantenimiento, instalación, reparación o remoción, o de cualquier herramienta, suministro o equipo que sea necesario para, instalar, reparar o remover algún producto.

III. Limitaciones aplicables a esta Garantía Limitada

ESTA GARANTÍA NO APLICA A NINGUNO DE LOS SIGUIENTES CASOS:

1. Cepillos, turbina o leva en modelos con motor de cepillo y/o turbinas con aleta flexible.
2. Cualquier producto que no se instale, aplique, mantenga y utilice según las instrucciones publicadas de la Compañía, códigos aplicables, ordenanzas aplicables y/o estándares industriales generalmente aceptados.
3. Cualquier producto que haya sufrido uso indebido, mala aplicación, descuido, alteración, accidente, abuso, modificación, actos de Dios (rayos incluidos), actos de terrorismo, actos de guerra, incendios, almacenamiento e instalación inadecuados, uso inadecuado, mantenimiento o reparación inadecuados, daño o siniestro, en exceso de las máximas recomendadas que se establecen en las instrucciones del producto.
4. Cualquier producto que sea operado con cualquier accesorio, equipo, componente, o pieza que no esté específicamente aprobado por la Compañía.
5. El uso de piezas de repuesto que no sean vendidas por la Compañía, la adición no autorizada de productos que no sean de la Compañía a productos de la Compañía, y la alteración no autorizada de productos de la Compañía.
6. Los productos dañados por el desgaste normal, mantenimiento normal y las piezas utilizadas en conexión con dicho servicio o cualquier otra condición más allá del control de la Compañía.
7. Cualquier producto que haya sido utilizado para otros propósitos más allá de aquellos para los cuales fue diseñado y fabricado.
8. Cualquier uso del producto en el cual las instrucciones de instalación y/o las instrucciones para el uso no hayan sido seguidas.
9. Productos conectados a otro voltaje distinto al indicado en la placa de identificación.
10. Productos en los cuales la bomba fue expuesta a cualquiera de los siguientes: arena, grava, cemento, grasa, yeso, barro, brea, hidrocarburos, derivados de los hidrocarburos (aceite, gasolina, solventes, etc.) u otras sustancias abrasivas o corrosivas.
11. Productos en los cuales la bomba fue utilizada para bombear líquidos con una temperatura superior los 140°F (60°C).
12. Productos en los cuales la bomba fue habilitada para operar en seco (sin suministros de fluidos).

13. Productos en los cuales la carcasa sellada del motor fue abierta o el producto fue de otro modo desmantelado por el cliente.
14. Productos en los cuales la longitud del cable fue cortada a una medida menor a 3 pies.

La Compañía se reserva el derecho de en cualquier momento, y ocasionalmente, introducir cambios en el diseño y/o mejoras en sus productos sin que esto imponga ninguna obligación de introducir los cambios o mejoras correspondientes en los productos ya fabricados y/o previamente vendidos. La Compañía se reserva además el derecho de sustituir piezas o componentes de calidad equivalente en cualquier servicio de garantía requerido por operación de esta Garantía Limitada.

Esta Garantía Limitada escrita es la totalidad de la garantía autorizada y ofrecida por la Compañía. No existen garantías y representaciones más allá de aquellas expresadas en este documento.

ESTA GARANTÍA Y RECURSO ESTÁN POR ENCIMA DE TODAS LAS OTRAS GARANTÍAS Y RECURSOS QUE SE INCLUYEN SIN LIMITACIÓN, GARANTÍAS DE MERCANTIBILIDAD Y/O ADECUACIÓN PARA UNA FINALIDAD ESPECÍFICA, QUE SON AQUÍ EXPLÍCITAMENTE NEGADAS Y EXPRESAMENTE EXCLUIDAS. LA CORRECCIÓN DE DISCONFORMIDAD, DE LA MANERA Y EN EL PERÍODO DE TIEMPO ESTABLECIDOS ANTERIORMENTE, CONSTITUIRÁ EL CUMPLIMIENTO DE TODA LA RESPONSABILIDAD DE LA COMPAÑÍA CON EL COMPRADOR YA SEA BASADO EN EL CONTRATO, NEGLIGENCIA O DE OTRO MODO.

LA COMPAÑÍA NO SERÁ RESPONSABLE POR LOS DAÑOS ACCIDENTALES, CONSECUENTES O ESPECIALES TALES COMO, PERO NO LIMITADOS A:

DAÑOS A O PÉRDIDA DE OTRA PROPIEDAD O EQUIPO, PÉRDIDAS DE USO DEL EQUIPO, PRESTACIÓN O SERVICIO, PÉRDIDA DE GANANCIA O VENTAS, COSTO DE COMPRAS O REMPLAZO DE BIENES, RECLAMOS DE CLIENTES DEL COMPRADOR, FALLA PARA ADVERTIR Y/O INSTRUIR, PÉRDIDA DE OTROS PRODUCTOS, COSTOS DE REMEDIACIÓN AMBIENTAL O DISMINUCIÓN EN EL VALOR DE LA PROPIEDAD. LOS RECURSOS DEL COMPRADOR AQUÍ ESTABLECIDOS SON EXCLUSIVOS, Y LA RESPONSABILIDAD DE LA COMPAÑÍA NO DEBE, COMO EXPRESAMENTE CONSTAN AQUÍ, EXCEDER EL PRECIO DEL PRODUCTO EN EL QUE DICHA RESPONSABILIDAD SE BASA. LOS DAÑOS QUE SE ESTABLECEN EN ESTE PÁRRAFO SERÁN RAZONABLEMENTE MITIGADOS HASTA DONDE SEA POSIBLE. ESTE PÁRRAFO DEBE TAMBIÉN APLICARSE A TODOS LOS DAÑOS QUE RESULTEN DE LAS CONDICIONES ESTABLECIDAS ANTERIORMENTE EN LA SECCIÓN III Y (1) DEFECTOS EN PROTOTIPOS DE PRODUCTOS O PROTOTIPOS DE PIEZAS DE REPUESTO QUE NO HAYAN SIDO PRODUCIDAS, PUESTAS EN CIRCULACIÓN O VENDIDAS POR LA COMPAÑÍA, Y/O (2) DEFECTOS QUE NO FUERON ENCONTRADOS AL MOMENTO DE LA VENTA DEBIDO A RAZONES CIENTÍFICAS O TECNOLÓGICAS.

Esta Garantía Limitada le otorga derechos legales específicos. También pueden existir otros derechos que pueden variar según las leyes y regulaciones aplicables. Cuando cualquiera de los términos de esta garantía esté prohibido por dichas leyes, deben considerarse nulos e inválidos, pero el resto de esta garantía continuará con plena vigencia y efecto.

DESCARGO DE RESPONSABILIDAD: Cualquier declaración oral sobre el producto hecha por el vendedor, la Compañía, los representantes o cualquier otra parte, no constituye garantías, no deberá ser considerada válida por el usuario y no son parte del contrato de venta. La única obligación del vendedor y la Compañía, y el único recurso del comprador, serán el remplazo o la reparación del producto por parte de la Compañía como fue descrito anteriormente. Antes de su uso, el usuario deberá determinar si el producto es adecuado para el uso que se le intenta dar, y el usuario asume todo el riesgo y la responsabilidad cualesquiera que fueren en conexión con el mismo.

EXCLUSIVO PARA MÉXICO

El usuario puede hacer válida la garantía directamente con el representante donde fue adquirido el producto. Para compras en México, puede contactar al importador Motores Franklin S.A. de C.V. En cualquier caso, deberá presentar el producto acompañado de la factura de compra o la presente póliza de garantía.

EXCLUSIVO PARA MÉXICO

Para poder acceder a componentes, consumibles y accesorios, el usuario puede acudir directamente con el representante donde fue adquirido el producto. Para compras en México, puede contactar al importador Motores Franklin S.A. de C.V.

Importador: Motores Franklin S.A. de C.V.

Av. Churubusco 1600 B16

Monterrey, NL

CP 64560 MÉXICO

Tel. 81 8000 1000

NOTES:

For technical assistance, please contact. 800.701.7894
Pour l'aide technique, entrez s'il vous plaît en contact 800.701.7894
Para la ayuda técnica, por favor póngase en contacto. 800.701.7894

www.littlegiant.com
lgnet@fele.com

LittleGIANT[®]

Franklin Electric Co., Inc.
Oklahoma City, OK 73157-2010
Phone: 1.800.701.7894
Fax: 1.405.228.1561



Form 998913
Rev. 0
05.15