

Little GIANT®

UPSP-5 SERIES



Features

- Rugged one-piece cast iron pump housing with carrying handle
- High-powered 1/2 HP motor with permanently lubricated ball bearings
- Lifts liquid up to 15'
- Pumps up to 105' of shut-off
- 10' power cord with grounded plug
- Thermally protected motor
- 3/4" brass garden hose adaptors
- Maximum fluid temperature — 140°F

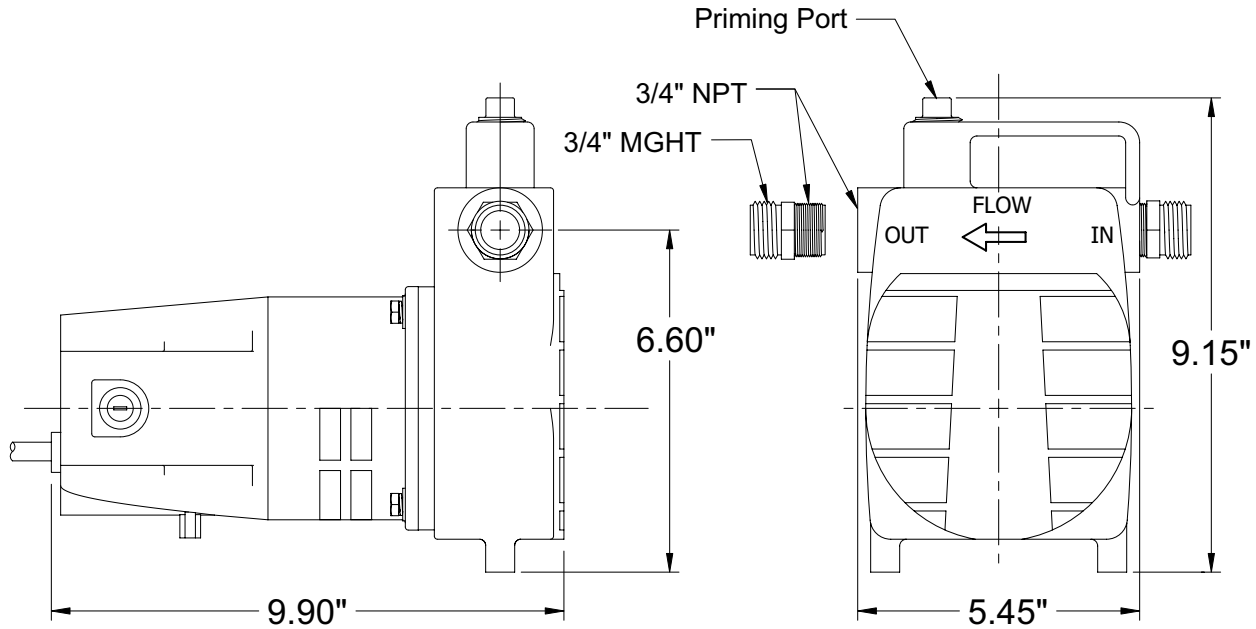
Construction

- Pump Housing — Cast iron
- Impeller — Engineered thermoplastic
- Motor Housing — Engineered thermoplastic
- Mechanical Shaft Seal — Carbon/Ceramic
- Motor Shaft — Cold rolled steel
- O-Ring — Nitrile
- Intake & Discharge Size — 3/4" NPT

The UPSP-5 Series portable utility transfer pump is perfect for intermittent duty, moving water from one location to another. The pump can be used to pump water from flooded basements, watering lawns and gardens, and draining water heaters. The pump can also be used to boost water pressure for washing vehicles, sidewalks and more.

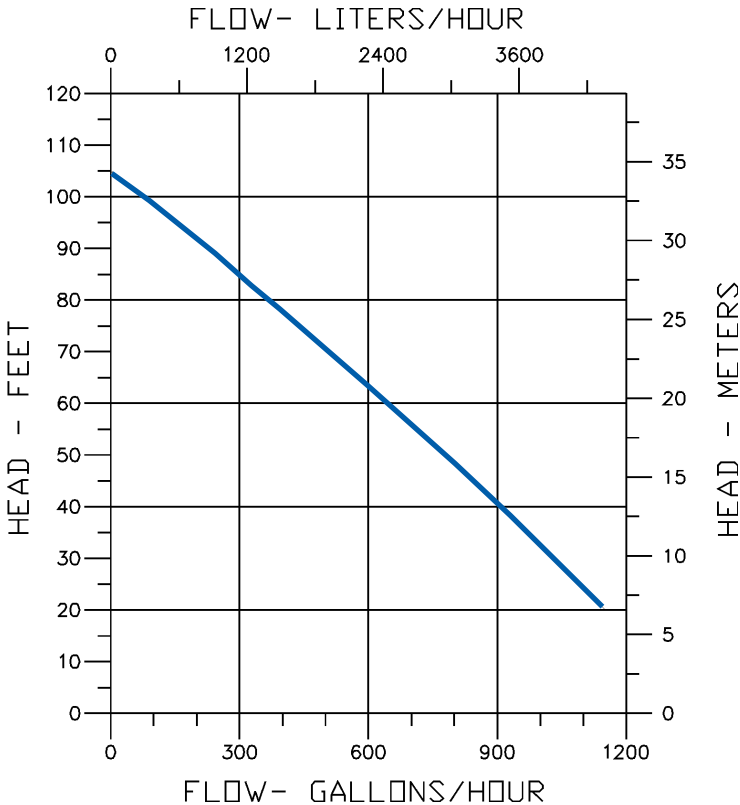
The pump features a one-piece cast iron pump head with integral carrying handle. The powerful 1/2 HP motor has permanently lubricated ball bearings, and is capable of pumping to over 100' of head with a maximum suction lift of 15'. **NOTE:** the UPSP-5 is not intended for permanent installations or pumping flammable liquids and must always be primed before operation. If ran dry, damage will occur.

UPSP-5 SERIES



Specifications

Model No.	Item No.	Listings	Intake and Discharge Size	Volts	Amps	Performance (GPH @ Head)					Shut Off (ft.)	PSI	Pwr. Cord (ft.)	Weight (lbs.)
						20'	40'	60'	80'	100'				
UPSP-5	555101	UL/CSA	3/4" NPT	115	9.0	1152	912	648	372	90	105	45.5	10	17



LittleGIANT®
 PO Box 12010 • Oklahoma City, OK 73157
 Phone: 800.701.7894 • Fax: 800.701.8046
 E-mail: customerservice@littlegiant.com