

MODEL 406

Compact Drain Pump

Liberty Pumps®

A Family and Employee Owned Company

1/6 hp

1/8" Solids Handling

Features

- Factory pre-assembled, ready to install
- Quiet automatic operation
- Short profile design for compact areas – only 10" tall (base to top inlet flange)
- Float switch and pump serviceability via access cover
- Wet-end serviceability via removable pump "cartridge" – simple, 1/4 turn removal
- Rubber gasket for a superior gas-tight seal
- Floor-level side inlets, with integral check valve and couplings included for convenient plumbing
- Stepped discharge adapter – 1", 1.25", 1.5", with integral check valve



Patent: See
www.LibertyPumps.com/patents



Applications

- Bar sinks
- Laundry trays
- Dehumidifiers
- Utility sinks
- Gray wastewater drainage below gravity lines
- Showers

MADE
in the
USA
with US and global parts



innovate. evolve.

Model 406

Features

- Compact design for tight areas and in cabinets
- Factory pre-assembled
- Fully automatic operation
- Wet-end serviceability with easy to remove motor cartridge
- Integral check valve at bottom inlet connections
- Rubber gaskets for a superior gas-tight seal
- Float switch can be accessed and serviced without disconnecting piping
- Air-cooled motor with thermal-overload protection
- 9', 3-wire power cord with grounded plug
- Corrosion-resistant ABS basin with molded-in connections
- Maintenance free, permanently lubricated sealed bearings
- 1/8" Solids handling

Maximum Fluid Temperature: 104°F (40°C) continuous duty
140°F (60°C) intermittent duty (10 seconds on/5 seconds off)

Motor Specifications

1/6 hp
Air-cooled, Thermally Protected

Dimensional Data

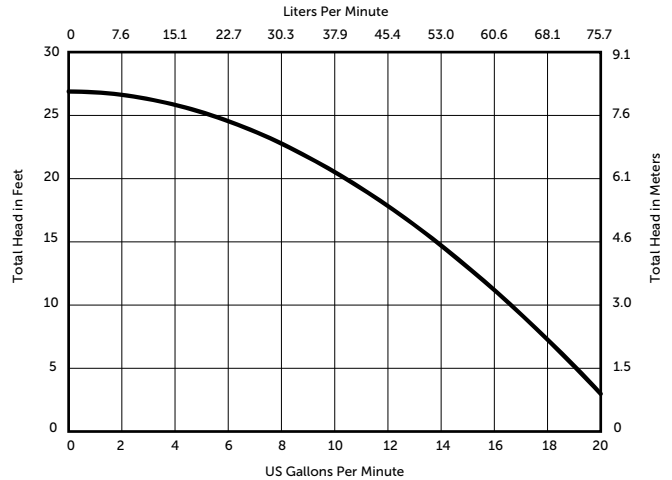
Weight: 13.5 lbs
Major Height: 14.1"
Major Width: 13.2"

Included Connection Kit

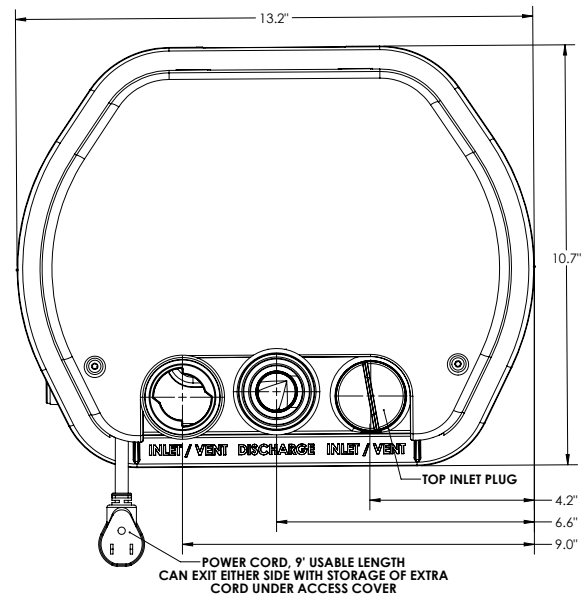
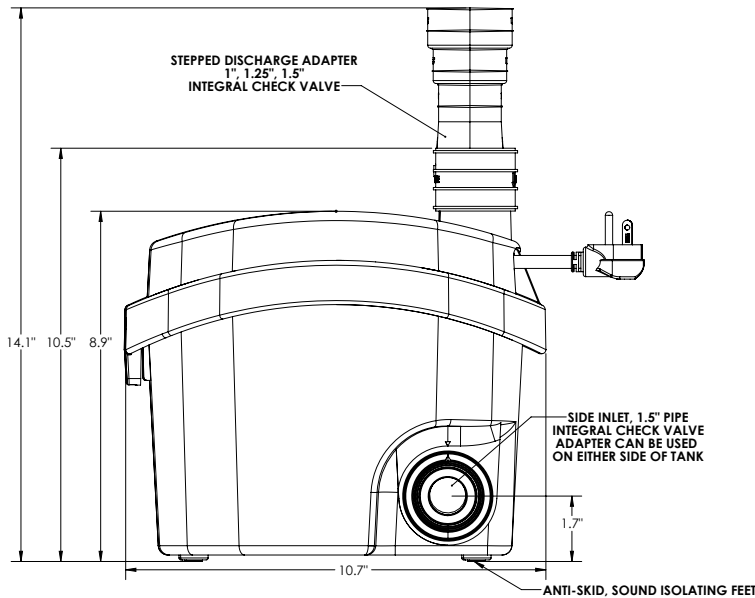
- 1 Stepped discharge adapter – 1", 1.25", 1.5", with integral check valve
- 1 Side inlet coupling (1.5") with integral check valve
- 1 Top vent coupling (1.5")
- 1 Top inlet coupling (1.5")
- 2 Pre-installed side inlet plugs
- 1 Pre-installed top inlet plug
- 7 Stainless-steel clamps

Performance Curve

60 Hz, 3450 RPM



For proper performance, tank inflow cannot exceed pump discharge capacity at the installed head level.
For technical assistance, consult the factory at 1-800-543-2550.



Models and Specifications

MODEL	HP	AMPS	VOLTS	FREQUENCY	INLET CONNECTIONS	INTEGRATED CHECK VALVE
406	1/6	1.7	115	60 Hz	1.5"	YES
406HV	1/6	1.0	200/230	60 Hz	1.5"	YES

406 Models are CSA Certified to the UPC, IPC, and NPC requirements of ASME A112.3.4 / CSA B45.9



Specifications subject to change without notice.

Copyright © Liberty Pumps, Inc. 2021 All rights reserved. LLIT006794-R02/21

Liberty Pumps - 7000 Apple Tree Avenue - Bergen, New York 14416
Phone 800-543-2550 - Fax 585-494-1839 - www.LibertyPumps.com