

# Wastewater

## 9EN Series



9EN-CIA-RF

9EN-CIA-SFS



9EN-CIM



### Applications

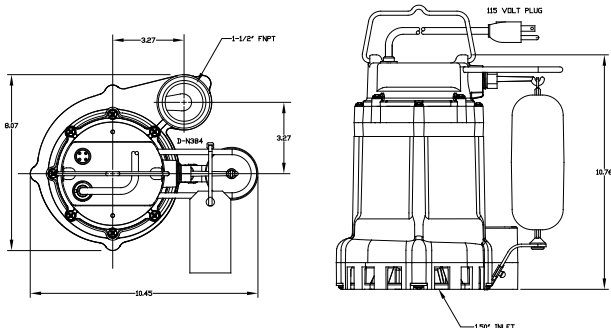
- Little Giant 9EN Series Effluent Pumps are rated for continuous duty in dewatering, water transfer, and effluent wastewater removal applications

### Features

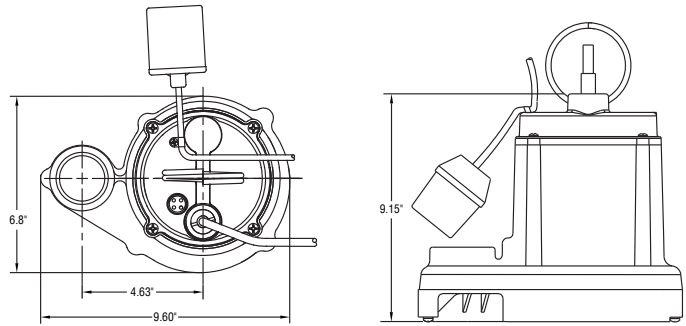
- 4/10 hp PSC motor with thermal overload protection
  - Energy saving low amp draw
  - Cooler running motor which extends the life of the pump
- Cast iron pump housing with protective epoxy coating for corrosion and rust resistance, polypropylene base
- Stainless steel screws, bolts and handle
- Mechanical seals (stainless steel spring, nitrile parts, carbon and ceramic faces)
- Upper sintered sleeve and lower ball bearing
- 1-1/2" FNPT discharge
- Fully submersible
- Handles liquid and solid waste materials up to 3/4" diameter
- Available in manual or automatic operation:
  - Piggyback mechanical float switch
    - On level 9" - 14"
    - Off level 2" - 6"
  - Integral Float Switch
    - On level 7" - 10"
    - Off level 2" - 5"
- Two year warranty

**LittleGIANT®**

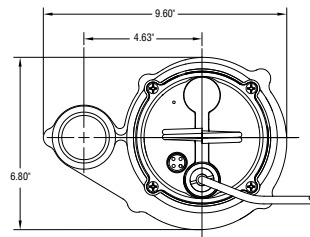
## Engineering Data



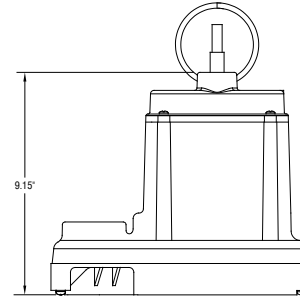
9EN-CIA-SFS



9EN-CIA-RF



9EN-CIM



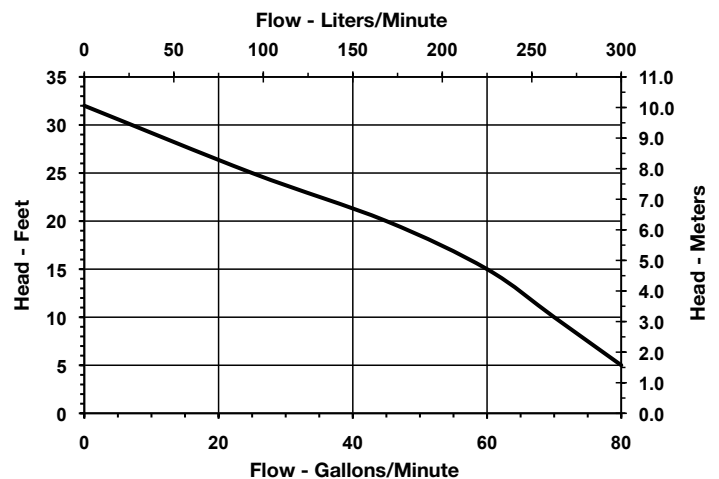
## Specifications

| Item   | Model       | HP   | Volts     | HZ    | Solids Size (dia. In.) | Running Amps/Watts | Performance GPM @ Head |     |     |     |     | Shut Off (ft) | PSI  | Cord Length | Weight (lbs) | Dimensions |       |            |
|--------|-------------|------|-----------|-------|------------------------|--------------------|------------------------|-----|-----|-----|-----|---------------|------|-------------|--------------|------------|-------|------------|
|        |             |      |           |       |                        |                    | 5'                     | 10' | 15' | 20' | 25' |               |      |             |              | H          | X     | L X W (in) |
| 509260 | 9EN-CIA-SFS | 4/10 | 115       | 60    | 3/4"                   | 9.0/920            | 80                     | 70  | 60  | 45  | 25  | 32            | 14.1 | 20'         | 27.5         | 10.76      | 10.45 | 8.07       |
| 509261 | 9EN-CIA-SFS | 4/10 | 115       | 60    | 3/4"                   | 9.0/920            | 80                     | 70  | 60  | 45  | 25  | 32            | 14.1 | 30'         | 28.5         | 10.76      | 10.45 | 8.07       |
| 509209 | 9EN-CIA-RF  | 4/10 | 115       | 60    | 3/4"                   | 9.0/920            | 80                     | 70  | 60  | 45  | 25  | 32            | 14.1 | 20'         | 27.5         | 9.15       | 9.6   | 6.8        |
| 509210 | 9EN-CIA-RF  | 4/10 | 115       | 60    | 3/4"                   | 9.0/920            | 80                     | 70  | 60  | 45  | 25  | 32            | 14.1 | 30'         | 28.5         | 9.15       | 9.6   | 6.8        |
| 509207 | 9EN-CIM     | 4/10 | 115       | 60    | 3/4"                   | 9.0/920            | 80                     | 70  | 60  | 45  | 25  | 32            | 14.1 | 20'         | 26.5         | 9.15       | 9.6   | 6.8        |
| 509208 | 9EN-CIM     | 4/10 | 115       | 60    | 3/4"                   | 9.0/920            | 80                     | 70  | 60  | 45  | 25  | 32            | 14.1 | 30'         | 27.5         | 9.15       | 9.6   | 6.8        |
| 509219 | 9EN-CIM     | 4/10 | 208 - 230 | 50/60 | 3/4"                   | 4.0/800            | 80                     | 70  | 60  | 45  | 25  | 32            | 14.1 | 20          | 27           | 9.15       | 9.6   | 6.8        |
| 509221 | 9EN-CIA-RF  | 4/10 | 208 - 230 | 50/60 | 3/4"                   | 4.0/800            | 80                     | 70  | 60  | 45  | 25  | 32            | 14.1 | 20          | 27.5         | 9.15       | 9.6   | 6.8        |

## Construction

|                       |  |
|-----------------------|--|
| Cover                 | Epoxy-coated cast iron                       |
| Motor Housing         | Epoxy-coated cast iron                       |
| Impeller Material     | Thermoplastic elastomer                      |
| Impeller Type         | Non-clog                                     |
| Volute                | Epoxy-coated cast iron                       |
| Power Cord            | SJTW   |
| Mechanical Shaft Seal | Nitrile with carbon and ceramic faces        |
| Fasteners             | Stainless steel                              |
| Shaft                 | Steel  |
| Bearings              | Upper sintered sleeve and lower ball bearing |

## Performance Data



**Franklin Electric**

P.O. Box 12010  
 Oklahoma City, OK 73157-2010  
 Phone: 1.800.701.7894  
 Fax: 1.800.678.7867  
 www.LittleGiantPump.com