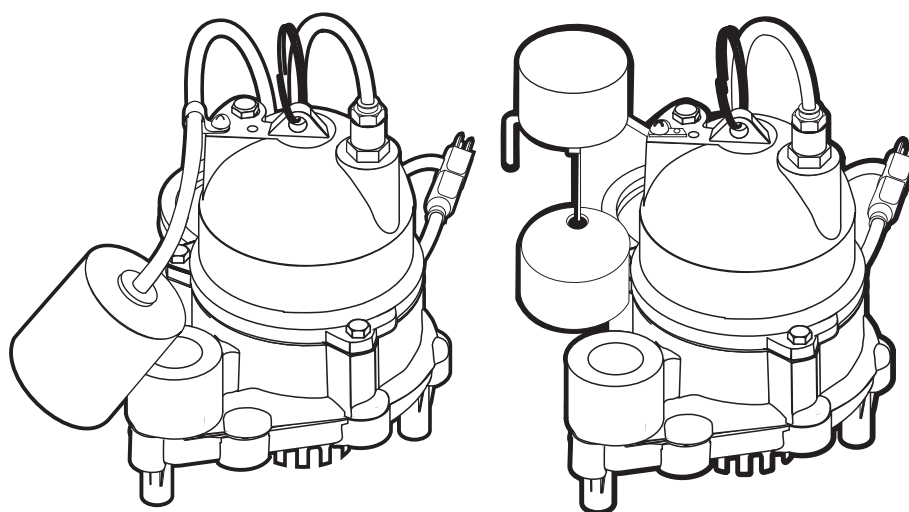


MYERS®**MDC33, MDC50****Installation/Operation/Parts**

*For further operating, installation,
or maintenance assistance:*

Call 1-888-987-8677**EnglishPages 2-8****Installation/Fonctionnement/Pièces**

*Pour plus de renseignements
concernant l'utilisation, l'installation
ou l'entretien :*

Composer le 1 (888) 987-8677**FrançaisPages 9-15****Instalación/Operación/Piezas**

*Para mayor información sobre
la operación, la instalación o
el mantenimiento:*

Llame al 1-888-987-8677**EspañolPaginas 16-22**

Important Safety Instructions

SAVE THESE INSTRUCTIONS - This manual contains important instructions that should be followed during installation, operation, and maintenance of the product. Save this manual for future reference.

⚠ This is the safety alert symbol. When you see this symbol on your pump or in this manual, look for one of the following signal words and be alert to the potential for personal injury!

⚠ DANGER indicates a hazard which, if not avoided, *will* result in death or serious injury.

⚠ WARNING indicates a hazard which, if not avoided, *could* result in death or serious injury.

⚠ CAUTION indicates a hazard which, if not avoided, *could* result in minor or moderate injury.

NOTICE addresses practices not related to personal injury. Carefully read and follow all safety instructions in this manual and on pump.

Keep safety labels in good condition. Replace missing or damaged safety labels.

Description

These submersible sump pumps are designed for home sumps. The unit is equipped with a 3-prong grounding-type power cord. The shaded-pole motor is oil filled and sealed for cooler running. Upper sleeve/lower ball bearings on the motor shaft never need lubrication. Automatic reset thermal protection.

General Safety Information

Electrically powered sump pumps normally give many years of trouble-free service when correctly installed, maintained, and used. However, unusual circumstances (interruption of power to the pump, dirt/debris in the sump, flooding that exceeds the pump's capacity, electrical or mechanical failure in the pump, etc.) may prevent your pump from functioning normally. To prevent possible water damage due to flooding, consult your dealer about installing a secondary sump pump, a DC backup sump pump, and/or a high water alarm. See *Troubleshooting* in this manual for information about common sump pump problems and remedies. For more information, see your dealer.

1. Know the pump application, limitations, and potential hazards.
2. Disconnect the power before servicing.
3. Release all pressure within the system before servicing any component.
4. Drain all water from the system before servicing.
5. Secure the discharge line before starting the pump. An unsecured discharge line will whip, possibly causing personal injury and/or property damage.

6. Check the hoses for a weak or worn condition before each use. Make certain all connections are secure.
7. Periodically inspect the sump, pump and system components. Keep free of debris and foreign objects. Perform routine maintenance as required.
8. Provide a means of pressure relief for pumps whose discharge line can be shut-off or obstructed.
9. Personal Safety:
 - a. Wear safety glasses at all times when working with pumps.
 - b. Keep the work area clean, uncluttered and properly lighted – replace all unused tools and equipment.
 - c. Keep visitors at a safe distance from work area.
 - d. Make the workshop child-proof – with padlocks, master switches, and by removing starter keys.
10. When wiring an electrically driven pump, follow all electrical and safety codes that apply.
11. This equipment is only for use on 115 volt (single phase) and is equipped with an approved 3-conductor cord and 3-prong, grounding-type plug.

⚠ WARNING **Electrical shock hazard.** Can burn or kill. To reduce risk of electric shock, pull plug before servicing. Pump is supplied with a grounding conductor and grounding-type attachment plug. Be sure it is connected only to a properly grounded grounding-type receptacle.

Where a 2-prong wall receptacle is encountered, it must be replaced with a properly grounded 3-prong receptacle installed in accordance with codes and ordinances that apply.

This pump has not been investigated for use in swimming pool areas.

12. All wiring should be performed by a qualified electrician.
13. Make certain the power source conforms to the requirements of your equipment.
14. Protect the electrical cord from sharp objects, hot surfaces, oil, and chemicals. Avoid kinking the cord. Replace or repair damaged or worn cords immediately.
15. Do not touch an operating motor. Motors can operate at high temperatures.
16. Do not handle the pump or pump motor with wet hands or when standing on wet or damp surface, or in water.

California Proposition 65 Warning

⚠ WARNING This product and related accessories contain chemicals known to the State of California to cause cancer, birth defects or other reproductive harm

Limited Warranty

Myers® warrants to the original consumer purchaser (“Purchaser” or “You”) of the products listed below, that they will be free from defects in material and workmanship for the Warranty Period shown below.

Product	Warranty Period
Jet pumps, small centrifugal pumps, submersible pumps and related accessories	whichever occurs first: 12 months from date of original installation, or 18 months from date of manufacture
Fibrewound Tanks	5 years from date of original installation
Steel Pressure Tanks	5 years from date of original installation
Sump/Sewage/Effluent Products	12 months from date of original installation, or 36 months from date of manufacture
Wastewater Solids Handling Pumps	12 months from date of shipment from factory or 18 months from date of manufacture

Our warranty applies only where such products are used in compliance with the requirements of the applicable product catalog and/or manuals. For additional information, please refer to the applicable standard limited warranty featured in the product manual.

Our warranty will not apply to any product that, in our sole judgement, has been subject to negligence, misapplication, improper installation, or improper maintenance. Without limiting the foregoing, operating a three phase motor with single phase power through a phase converter will void the warranty. Note also that three phase motors must be protected by three-leg, ambient compensated, extra-quick trip overload relays of the recommended size or the warranty is void.

Your only remedy, and MYERS's only duty, is that MYERS repair or replace defective products (at MYERS's choice). You must pay all labor and shipping charges associated with this warranty and must request warranty service through the installing dealer as soon as a problem is discovered. No request for service will be accepted if received after the Warranty Period has expired. This warranty is not transferable.

MYERS SHALL NOT BE LIABLE FOR ANY CONSEQUENTIAL, INCIDENTAL, OR CONTINGENT DAMAGES WHATSOEVER.

THE FOREGOING LIMITED WARRANTIES ARE EXCLUSIVE AND IN LIEU OF ALL OTHER EXPRESS AND IMPLIED WARRANTIES, INCLUDING BUT NOT LIMITED TO IMPLIED WARRANTIES OF MERCHANTABILITY AND FITNESS FOR A PARTICULAR PURPOSE. THE FOREGOING LIMITED WARRANTIES SHALL NOT EXTEND BEYOND THE DURATION PROVIDED HEREIN.

Some states do not allow the exclusion or limitation of incidental or consequential damages or limitations on the duration of an implied warranty, so the above limitations or exclusions may not apply to You. This warranty gives You specific legal rights and You may also have other rights which vary from state to state.

This Limited Warranty is effective February 7, 2014 and replaces all undated warranties and warranties dated after February 7, 2014.

F.E. MYERS
293 Wright Street, Delavan, WI 53115
Phone: 888-987-8677 • Fax: 800-426-9446 • www.femyers.com
In Canada: 269 Trillium Dr., Kitchener, Ontario N2G 4WS
Phone: 519-748-5470 • Fax: 519-748-2553

⚠ WARNING **Electrical shock hazard.** Can burn or kill. If your basement has water or moisture on floor, do not walk on wet area until all power has been turned off. If shut-off box is in basement, call electric company or hydro authority to shut-off service to house, or call your local fire department for instructions. Remove pump and repair or replace. Failure to follow this warning can result in fatal electrical shock.

- 17. Pump water only with this pump. Do not use with salt water or brine.
- 18. Do not install the pump in any location classified as hazardous by the National Electric Code, ANSI/NFPA 70-1984 or the Canadian Electrical Code.

Specifications

Power supply required. 115V, 60 HZ.
 Liquid Temp. Range. 32°F to 130°F (0°-54°C)
 Individual Branch MDC33 Series 15 Amps
 Circuit Required: MDC50 Series 20 Amps
 Discharge Adapter. 1-1/2" NPT

Performance

Model	GPM (LPM) at total feet (m)					No flow at height shown below
	5 (1.5m)	10 (3)	15 (4.6)	20 (6.1)	25 (7.6)	
Capacity gallons (liters)/minute						
MDC33	48 (182)	40 (151)	29 (110)	15 (57)	-	24 ft. (7.3m)
MDC50	62 (235)	53 (201)	46 (174)	38 (144)	29 (110)	32 ft. (9.8m)

Motor, Switch, & Cord Specifications

Model Number	Motor HP	Full Load Amps	Individual Branch Circuit Required (Amps)	Cord Length	Switch Setting in Inches (mm)	
					ON	OFF
MDC33P1	1/3	9.8	15	10'	13" (330)	4" (102)
MDC33V1	1/3	9.8	15	10'	7" (178)	2" (51)
MDC33M1	1/3	9.8	15	10'	-	-
MDC33PC1	1/3	9.8	15	20'	13" (330)	4" (102)
MDC33VC1	1/3	9.8	15	20'	7" (178)	2" (51)
MDC33MC1	1/3	9.8	15	20'	-	-
MDC50P1	1/2	12.5	20	10'	13" (330)	4" (102)
MDC50V1	1/2	12.5	20	10'	7" (178)	2" (51)
MDC50M1	1/2	12.5	20	10'	-	-
MDC50PC1	1/2	12.5	20	20'	13" (330)	4" (102)
MDC50VC1	1/2	12.5	20	20'	7" (178)	2" (51)
MDC50MC1	1/2	12.5	20	20'	-	-

Installation

- 1. Install the pump in a sump pit with a minimum diameter of 10" (254mm) for models equipped with vertical switches and 14" (356mm) for tethered float switch models. The sump depth should be 15" minimum (381mm). Construct the sump pit of tile, concrete, steel or plastic. Check the local codes for approved materials.
- 2. **NOTICE:** When installing the vertical switch, the rod stop (Ref. No. 1F, *Repair Parts*) must not be pushed up farther than the bottom nib on the float rod. Pushing it any farther up the rod will cause the switch to hang up on the pump discharge and will damage the pump.

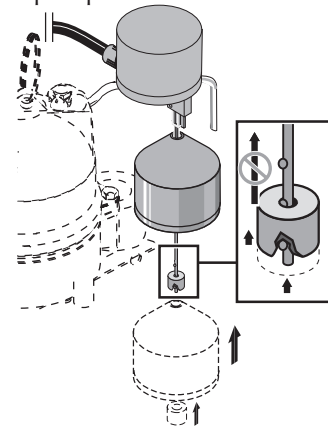


Figure 1

- 3. The pump should not be installed on clay, earth or sand surfaces. Clean the sump pit of small stones and gravel which could clog the pump. Keep the pump inlet screen clear.

4. Install the pump in the pit so that the switch mechanism has maximum possible clearance.
5. Install the discharge plumbing. When using rigid pipe, use plastic pipe. Wrap the threads with PTFE tape. Screw the pipe into the pump hand tight +1 – 1-1/2 turns.

NOTICE: Do not use ordinary pipe joint compound on plastic pipe. Pipe joint compound can attack plastics and damage the pump.

▲ CAUTION Risk of flooding. If a flexible discharge hose is used, make sure the pump is secure in the sump to prevent movement. Failure to secure the pump may allow pump movement, switch interference and prevent the pump from starting or stopping.

6. To reduce motor noise and vibrations, a short length of rubber hose (e.g. radiator hose) can be connected into the discharge line near the pump using suitable clamps.
7. Install an in-line check valve to prevent backward flow through the pump when the pump shuts off.
8. **Power Supply: The pump is designed for 115 V., 60 Hz., operation and requires a minimum 15 amp (1/3 HP) or 20 amp (1/2 HP) individual branch circuit** (refer to *Motor, Switch and Cord Specifications*). Both the pump and switch are supplied with 3-wire cord sets with grounding-type plugs. The switch plug is inserted directly into the outlet and the pump plug inserts into the opposite end of the switch plug.

▲ WARNING Hazardous voltage. Can shock, burn or kill. The pump should always be electrically grounded to a suitable electrical ground such as a grounded water pipe or a properly grounded metallic raceway, or ground wire system. Do not modify the cord or plug or cut off the round ground pin.

9. If the pump discharge line is exposed to an outside sub-freezing atmosphere, the portion of the line exposed must be installed so any water remaining in the pipe will drain to the outfall by gravity. Failure to do this can cause the water trapped in the discharge to freeze which could result in damage to the pump.
10. After the piping and check valve have been installed, the unit is ready for operation.
11. Check the operation by filling the sump with water and observing pump operation through one complete cycle.

▲ CAUTION Risk of Flooding. Failure to make this operational check may lead to improper operation, premature failure, and flooding.

Operation / Maintenance

▲ WARNING Risk of electrical shock. Can burn or cause death. Do not handle a pump or pump motor with wet hands or when standing on a wet or damp surface, or in water.

Before attempting to check why unit has stopped operating, disconnect power from unit.

▲ WARNING Risk of fire and explosion. Can cause severe injury, property damage or death. Do not use in explosive atmospheres. Pump water only with this pump.

1. The shaft seal depends on water for lubrication and cooling. Do not operate the pump unless it is submerged in water as the seal may be damaged if allowed to run dry.
2. The motor is equipped with an automatic reset thermal protector. If the temperature in the motor should rise unduly, the switch will cut off all power before damage can be done to the motor. When the motor has cooled sufficiently, the switch will reset automatically and restart the motor. If the protector trips repeatedly, the pump should be removed and checked as to cause of difficulty. Low voltage, long extension cords, clogged impeller, very low head or lift, etc., could cause cycling.
3. The pump will not remove all water. If a manually operated pump is operating and suddenly no water comes out of the discharge hose, shut the unit off immediately. The water level is probably very low and the unit has broken prime.

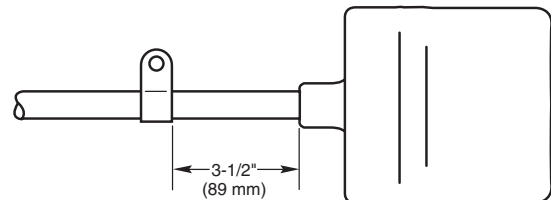


Figure 2 – Float Switch Tether Length, Models MDC33PI, MDC33PCI, MDC50PI and MDC50PCI.

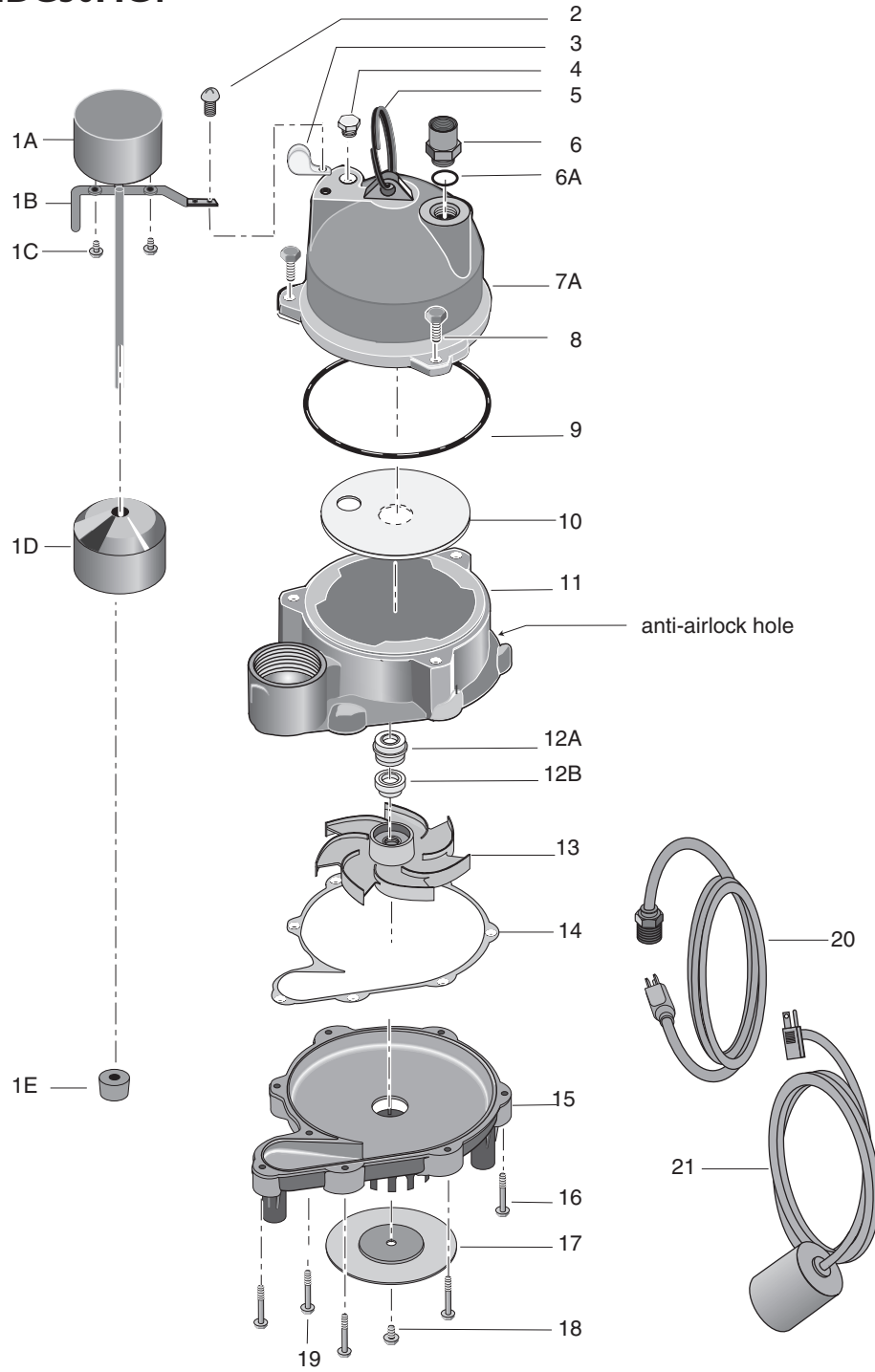
NOTICE: Do not change the tether length of the float switch. The float must be able to swing through its complete arc without interference.

Airlocks

When a pump airlocks, it runs but does not move any water. An airlock will cause the pump to overheat and fail. These pumps have a built in anti-airlock hole. See *Repair Parts* for the location of the hole. Leakage from the anti-airlock hole is normal.

If you suspect an airlock, unplug the pump, clean out the anti-airlock hole with a paper clip or a piece of wire, and restart the pump.

MDC33PI, MDC33PCI
MDC33VI, MDC33VCI
MDC33MI, MDC33MCI
MDC50PI, MDC50PCI
MDC50VI, MDC50VCI
MDC50MI, MDC50MCI



Ref.	Description	Qty.	MDC33P1 MDC50P1	MDC33PC1 MDC50PC1	MDC33V1 MDC50V1	MDC33VC1 MDC50VC1	MDC33M1 MDC50M1	MDC33MC1 MDC50MC1	
1	Vertical Switch (Incl. 1A thru 1F)	1	-		PKG 208	PKG 209	-		
1A	Switch	1							
1B	Mounting Bracket	1							
1C	Screw	2							
1D	Float	1							
1E	Retainer Strap	1							
1F	Stop	1							
2	Screw, #8-1/2" self-tapping	1	U30-539SS				-		
3	Switch Cord Clamp	1	CC0030-13		-				
4	Oil Fill Plug	1	U78-941ZPV						
5	Ring Handle	1	U97-128						
6	Cord Connector	1	PS17-46P						
6A	O-Ring	1	U9-370						
7A	Motor Cover	1	PS18-144GR						
8	Capscrew, #10-32 x3/4"	3	U30-482SS						
9	O-Ring	1	U9-339						
10	Insulating Disk	1	PS18-82						
11	Motor / Upper Volute	1	If the Motor fails, replace the entire pump.						
12A	Shaft Seal Stationary Head Assembly	1	U9-379A						
12B	Shaft Seal Rotating Mating Ring	1	U9-321A						
13	Impeller	1	MDC33 Series pumps use Impeller number PS5-26P. MDC50 Series pumps use Impeller number PS5-29P.						
14	Gasket	1	PS20-21						
15	Lower Volute	1	PS1-34P						
16	Lower Pump Body Screw #10-32x1" Hex Washer, self-tapping	7	U30-966SS						
17	Suction Plate	1	U43-142SS						
18	Screw, #6-1/4" pan head	1	U30-972SS						
19	Lower Pump Body Screw #10-32x1- 1/8" Hex Washer, self-tapping	1	U30-967SS						
20	Power Cord Assembly	1	See <i>Power Cord Assembly Chart</i>						
21	Tethered Float Switch	1	PS17-109	PS17-111	-				
	Dielectric Oil		All Models use .61 qts., U197-8A						

Power Cord Assembly


Pump Model Number	Part Number	Pump Model Number	Part Number
MDC33M1	PW117-281-TSU	MDC50M1	PW117-237-TSU
MDC33P1	PW117-281-TSU	MDC50P1	PW117-237-TSU
MDC33V1	PW117-281-TSU	MDC50V1	PW117-237-TSU
MDC33MC1	PW117-122-TSU	MDC50MC1	PW117-122-TSU
MDC33PC1	PW117-122-TSU	MDC50PC1	PW117-122-TSU
MDC33VC1	PW117-122-TSU	MDC50VC1	PW117-122-TSU


Troubleshooting Chart


Symptom	Probable Cause(s)	Corrective Action
Pump won't start or run.	Blown fuse.	If blown, replace with a fuse of proper size.
	Low line voltage.	If the voltage is under the recommended minimum, check the size of the wiring from the main switch on the property. If OK, contact power company or hydro authority.
	Defective motor.	Replace the pump.
	Defective float switch.	Replace the float switch.
	Impeller.	If the impeller won't turn, remove the lower pump body and locate the source of the binding.
Pump starts and stops too often.	Float is obstructed.	Remove the obstruction.
	Backflow of water from piping.	Install or replace the check valve.
Pump won't shut off.	Faulty float switch.	Replace the float switch.
	Defective float switch.	Replace the float switch.
	Restricted discharge (obstacle in piping).	Remove the pump and clean the pump and piping.
Pump operates but delivers little or no water.	Float obstructed.	Remove the obstruction.
	Low line voltage.	If the voltage is under the recommended minimum, check the size of the wiring from the main switch on the property. If OK, contact power company or hydro authority.
	Something is caught in impeller.	Clean out the impeller.
	Anti-airlock hole is plugged.	Turn off the pump, clean out the anti-airlock hole, and restart pump.


Directives de sécurité importantes

Conservez ces directives – Ce manuel renferme d'importantes directives qu'il faut suivre durant l'installation et l'entretien de la pompe.

Ce symbole  indique qu'il faut être prudent. Lorsque ce symbole apparaît sur la pompe ou dans cette Notice, rechercher une des mises en garde qui suivent, car elles indiquent un potentiel de blessures corporelles!

Le mot signal  indique un danger qui, s'il n'est pas évité, causera la mort ou des blessures graves.

Le mot signal  indique un risque qui, s'il n'est pas évité, pourrait causer la mort ou des blessures graves.

Le mot signal  indique un risque qui, s'il n'est pas évité, pourrait causer des blessures mineures ou modérées.

Le mot **AVIS** est utilisé pour les pratiques qui ne sont pas reliées aux blessures personnelles.

Lire attentivement toutes les consignes de sécurité contenues dans cette Notice ou collées sur la pompe.

Garder en bon état les autocollants relatifs aux consignes de sécurité. Remplacer ceux manquants ou endommagés.

Description


Ces pompes submersibles sont conçues pour être utilisées dans un puisard domestique. Elles sont munies d'un cordon électrique à 3 conducteurs, dont un de mise à la terre. Leur moteur à bague de déphasage est étanche et rempli d'huile pour chauffer moins. Les paliers/roulements à billes inférieurs de l'arbre des moteurs ne requièrent aucun graissage. Les pompes sont protégées par un protecteur thermique à réarmement automatique.

Consignes de sécurité générales

Normalement, les électropompes de puisard fournissent de nombreuses années de service sans incident si elles sont bien posées, entretenues et utilisées. Toutefois, certaines circonstances inhabituelles (interruption du courant alimentant la pompe, saletés ou débris dans le puisard, inondation dépassant le débit de la pompe, pannes mécaniques ou électriques de la pompe, etc.), peuvent empêcher une pompe de fonctionner normalement. Pour empêcher toute possibilité de dommages causés par l'eau suite à une inondation, consulter le marchand au sujet de l'installation d'une pompe de puisard secondaire, d'une pompe de puisard de secours fonctionnant sur le courant continu et/ou d'une alarme de niveau haut d'eau. Se reporter au *Tableau de recherche des pannes* de cette Notice pour tout renseignement concernant les problèmes courants des pompes de puisard et comment y remédier. Pour de plus amples renseignements, visitez votre détaillant.

1. Il faut connaître les utilisations de la pompe, ses limites et les dangers potentiels que présente son utilisation.
2. Avant d'intervenir sur la pompe, s'assurer de couper le courant qui l'alimente.
3. Dissiper toute la pression du système avant d'intervenir sur un composant du système.
4. Avant d'intervenir sur le système, vider toute l'eau qu'il contient.
5. Immobiliser le tuyau de refoulement avant de démarrer la pompe. Un tuyau de refoulement non immobilisé se mettra à fouetter et risquera d'éclater et causer des blessures corporelles et/ou des dégâts matériels.

6. Avant d'utiliser une pompe, s'assurer que les tuyaux souples ne sont pas défectueux, usés et que tous les raccords sont bien serrés.
7. Inspecter périodiquement le puisard, la pompe et les composants du système. Les débarrasser des débris et des corps étrangers. Procéder à l'entretien périodique requis.
8. Prévoir un moyen de dissiper la pression sur les pompes dont le tuyau de refoulement risque d'être fermé ou obstrué.
9. Sécurité personnelle :
 - a. Toujours porter des lunettes de sécurité pour intervenir sur la pompe.
 - b. Garder la zone de travail propre, non encombrée et bien éclairée – remettre en place tous les outils et tous les équipements que l'on n'utilise plus.
 - c. Ne laisser personne s'approcher de la zone de travail.
 - d. La zone de travail doit être à l'épreuve des enfants, c.-à-d. qu'elle doit être sécuritaire en posant des cadenas, des interrupteurs principaux et en retirant la clé des démarreurs.
10. Pour brancher une électropompe sur le courant, toujours respecter les codes de sécurité et de l'électricité en vigueur.
11. Ces pompes fonctionnent sur le courant alternatif de 115 volts. Elles sont livrées avec un cordon électrique approuvé à 3 conducteurs muni d'une fiche à 3 broches, dont une de mise à la terre.


 **Risques de secousses électriques, de brûlures, voire de mort.** Pour réduire les risques de secousses électriques, débrancher la pompe avant de l'entretenir. La pompe est livrée avec un conducteur de mise à la terre et une fiche de mise à la terre qui ne doit être branchée que dans une prise de courant à trois trous adéquatement mise à la terre.

Si la prise de courant ne comporte que 2 trous, elle devra être remplacée par une à 3 trous dont un de mise à la terre et installée conformément aux codes et aux règlements en vigueur.

Aucune étude n'a été effectuée permettant d'affirmer que ces pompes peuvent être utilisées sur piscine.

12. Tout le câblage doit être effectué par un électricien qualifié.
13. S'assurer que le courant alimentant ces pompes est conforme à leurs caractéristiques.
14. Protéger le cordon électrique de ces pompes contre les objets tranchants, les surfaces chaudes, l'huile et les produits chimiques. Éviter de tordre le cordon électrique. Le remplacer ou le réparer immédiatement s'il est usé ou endommagé.
15. Ne pas toucher au moteur pendant qu'il fonctionne. Les moteurs modernes fonctionnent par des températures élevées.
16. Ne pas manipuler une pompe ni son moteur si on a les mains humides ou si on se tient debout sur une surface mouillée, humide ou dans l'eau.

Avertissement lié à la Proposition 65 de la Californie

 Ce produit et les accessoires connexes contiennent des produits chimiques reconnus dans l'État de la Californie comme pouvant provoquer des cancers, des anomalies congénitales ou d'autres dangers relatifs à la reproduction.

Garantie Limitée

Myers® garantit à l'acheteur-utilisateur initial (« l'acheteur » ou « vous ») des produits figurant ci-dessous qu'ils seront exempts de tout défaut de matériel et de fabrication pour la période de garantie indiquée ci-dessous.

Produit	Période de garantie du produit
Pompes à éjecteur, petites pompes centrifuges, pompes submersibles et accessoires connexes	selon la première éventualité : 12 mois à partir de la date de première installation ou 18 mois à partir de la date de fabrication
Réservoirs en fibre enroulée	5 ans à partir de la date de première installation
Réservoirs sous pression en acier	5 ans à partir de la date de première installation
Produits pour puisard/eaux usées/effluents	12 mois à partir de la date de première installation, 36 mois à partir de la date de fabrication
Pompes de traitement des matières solides des eaux usées	12 mois à partir de la date d'expédition de l'usine ou 18 mois à partir de la date de fabrication

Notre garantie s'applique uniquement quand ces produits sont utilisés conformément aux exigences du catalogue et/ou des manuels des produits concernés. Pour plus d'information, consultez la garantie limitée standard applicable dans le manuel du produit.

Notre garantie ne s'applique pas aux produits qui, à notre seul avis, ont fait l'objet de négligence, d'une mauvaise utilisation, d'une mauvaise installation ou d'un manque d'entretien adéquat. Sans aucune limitation des présentes, l'utilisation d'un moteur triphasé sur un courant monophasé par l'intermédiaire d'un déphaseur annulera la garantie. Il faut également noter que les moteurs triphasés doivent être protégés par un relais de surcharge tripolaire thermocompensé à déclenchement extrêmement rapide du calibre recommandé, sinon la garantie sera annulée.

Votre seul recours et la seule responsabilité de MYERS sont que MYERS répare ou remplace les produits défectueux (au choix de MYERS). Vous vous engagez à payer tous les frais de main-d'œuvre et d'expédition du produit couvert par cette garantie et de vous adresser au concessionnaire-installateur dès qu'un problème est découvert pour obtenir un service sous garantie. Aucune demande de service ne sera acceptée après l'expiration de la période de garantie. Cette garantie n'est pas transférable.

MYERS NE SERA TENUE RESPONSABLE D'AUCUN DOMMAGE INDIRECT, ACCIDENTEL OU FORTUIT, QUEL QU'IL SOIT.

LES GARANTIES LIMITÉES SUSMENTIONNÉES SONT EXCLUSIVES ET REMPLACENT TOUTES LES AUTRES GARANTIES EXPRESSES ET TACITES, Y COMPRIS, MAIS SANS S'Y LIMITER, LES GARANTIES TACITES DE QUALITÉ MARCHANDE ET D'ADAPTATION À UN USAGE PARTICULIER. LES GARANTIES LIMITÉES SUSMENTIONNÉES NE DOIVENT PAS ÊTRE PROLONGÉES AU-DELÀ DE LA DURÉE PRÉVUE AUX PRÉSENTES.

Certaines provinces n'autorisent pas d'exclure ou de limiter les dommages fortuits ou indirects ou de limiter la durée d'une garantie implicite; il se peut donc que les limitations ou exclusions ci-dessus ne s'appliquent pas à votre cas. La présente garantie vous donne des droits juridiques spécifiques et vous pouvez en avoir d'autres qui varient d'une province à l'autre.

Cette garantie limitée entre en vigueur le 7 février 2014 et remplace toutes les garanties non datées et les garanties datées après le 7 février 2014.

F.E. MYERS

293 Wright Street, Delavan, WI 53115

Téléphone : 888-987-8677 Télécopieur : 800-426-9446 • www.femyers.com

Au Canada : 269 Trillium Dr., Kitchener, Ontario N2G 4WS

Téléphone : 519-748-5470 Télécopieur : 519-748-2553

⚠ AVERTISSEMENT Risques de secousses électriques, de brûlures, voire de mort. Si le plancher du sous-sol est humide ou recouvert d'eau, ne pas marcher dessus tant que le courant n'aura pas été coupé. Si la boîte des disjoncteurs se trouve au sous-sol, appeler la compagnie d'électricité pour lui demander de couper le branchement de l'habitation ou appeler le service des incendies local pour de plus amples renseignements. Si on ne respecte pas cet avertissement, on risque d'être mortellement électrocuté. Sortir la pompe du puisard et la remplacer ou la réparer.

17. Ne pomper que de l'eau avec ces pompes. Ne pas pomper de saumure ni d'eau salée.
18. Ne pas installer cette pompe dans un endroit classé comme dangereux par le Code canadien de l'électricité, le National Electrical Code ou ANSI/NFPA 70-1984.

Caractéristiques

Courant d'alimentation requis 115 V, 60 Hz
 Plage des températures du liquide 0 à 54 °C (32 à 130 °F)
 Circuit séparé Série MDC33 15 ampères
 Circuit requis Série MDC50 20 ampères
 Adaptateur de refoulement 1 1/2 pouce NPT

Débits

Gal/min (L/min) pompés à la hauteur totale de refoulement en pieds (m)						
Modèles	5 (1,5)	10 (3)	15 (4,6)	20 (6,1)	25 (7,6)	Aucun débit à la hauteur indiquée ci-dessous
Gallons (L)/min pompés						
MDC33	48 (182)	40 (151)	29 (110)	15 (57)	-	24 pi. (7,3m)
MDC50	62 (235)	53 (201)	46 (174)	38 (144)	29 (110)	32 pi. (9,8m)

Installation

1. Pour les modèles équipés d'un interrupteur à flotteur vertical, installer la pompe dans un puisard ayant un diamètre minimal de 25,4 cm (10 pouces) et dans un puisard ayant un diamètre minimal de 35,6 cm (14 pouces) pour les modèles équipés d'un interrupteur à flotteur à cordon. Chaque puisard doit avoir une profondeur minimale de 38,1 cm (15 pouces). Le puisard doit être construit en carreaux, en béton, en acier ou en plastique. Consulter les codes de la municipalité pour connaître les matériaux approuvés.
2. **AVIS :** Lors de l'installation de l'interrupteur vertical, la butée (réf. no 1F, *Pièces de rechange*) ne doit pas être glissée plus haut que la première pointe du bas sur la tige du flotteur. Si la butée est glissée plus haut sur la tige, l'interrupteur s'accrochera sur le refoulement de la pompe et pourrait endommager la pompe.

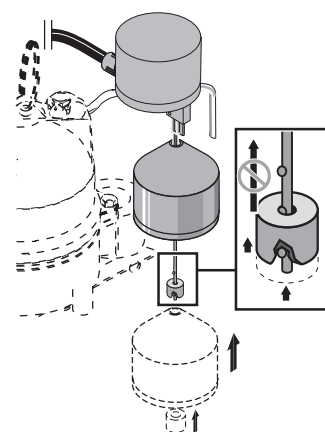


Figure 1

3. La pompe ne doit pas être posée sur de la glaise, de la terre ou du sable. Enlever les petites pierres et le gravier du fond du puisard pour qu'ils ne bouchent pas la pompe. La crépine d'aspiration de la pompe doit toujours être débarrassée des corps étrangers.

Caractéristiques du moteur, de l'interrupteur et du cordon électrique

Numéro des modèles	Puissance des moteurs (en ch)	Ampères maximum à pleine charge (en ampères)	Circuit séparé requis (en ampères)	Longueur des cordons électriques	*Réglages de l'interrupteur en pouces (mm)	
					Marche	Arrêt
MDC33P1	1/3	9,8	15	10'	13 po (330)	4 po (102)
MDC33V1	1/3	9,8	15	10'	7 po (178)	2 po (51)
MDC33M1	1/3	9,8	15	10'	-	-
MDC33PC1	1/3	9,8	15	20'	13 po (330)	4 po (102)
MDC33VC1	1/3	9,8	15	20'	7 po (178)	2 po (51)
MDC33MC1	1/3	9,8	15	20'	-	-
MDC50P1	1/2	12,5	20	10'	13 po (330)	4 po (102)
MDC50V1	1/2	12,5	20	10'	7 po (178)	2 po (51)
MDC50M1	1/2	12,5	20	10'	-	-
MDC50PC1	1/2	12,5	20	20'	13 po (330)	4 po (102)
MDC50VC1	1/2	12,5	20	20'	7 po (178)	2 po (51)
MDC50MC1	1/2	12,5	20	20'	-	-

4. Installer la pompe dans le puisard afin d'obtenir un dégagement maximum pour le fonctionnement de l'interrupteur à flotteur.
5. Brancher le tuyau de refoulement. Si on décide d'utiliser des tuyaux rigides, utiliser des tuyaux en plastique et envelopper les filets du tuyau de ruban d'étanchéité en PTFE. À la main, visser le tuyau de refoulement sur la pompe, puis le serrer fermement de 1 tour à 1 1/2 tour de plus.
AVIS : Ne pas utiliser de pâte pour raccords filetés sur les tuyaux en plastique, car elle risque d'attaquer le plastique.
ATTENTION **Risque d'inondation.** Si on utilise un tuyau de refoulement souple, s'assurer que la pompe est bien immobilisée dans le puisard pour l'empêcher de se déplacer. Si on ne l'immobilise pas comme il faut, la pompe risque de se déplacer, l'interrupteur à flotteur risque de ne pas fonctionner adéquatement et d'empêcher la pompe de démarrer ou de s'arrêter.
6. Pour réduire le bruit et les vibrations que pourrait faire le moteur, brancher, près de la pompe, un petit morceau de tuyau en caoutchouc (une durite de radiateur, par ex.) sur le tuyau de refoulement. Le faire tenir avec des colliers.
7. Poser un clapet antiretour en ligne pour que l'eau ne retourne pas dans la pompe lorsqu'elle s'arrêtera.
8. **Courant d'alimentation : Les pompes doivent être branchées sur un circuit séparé de 15 ampères (1/3 ch.) ou 20 ampères (1/2 ch.) alimenté en courant alternatif de 115 volts, 60 Hz** (se reporter au tableau *Caractéristiques du moteur, de l'interrupteur et du cordon électrique*). Les pompes et les interrupteurs sont livrés avec un cordon électrique à 3 conducteurs muni d'une fiche avec broche de mise à la terre. La fiche de l'interrupteur se branche directement dans la prise de courant et celle de la pompe à l'arrière de la fiche de l'interrupteur.
AVERTISSEMENT **Tension dangereuse.** Risque de secousses électriques. Toujours mettre la pompe à la terre sur une terre électrique adéquate, comme un tuyau d'eau mis à la terre ou un chemin de câbles métallique adéquatement mis à la terre, un système de fils de mise à la terre. Ne jamais modifier le cordon électrique, sa fiche ni couper la broche ronde de mise à la terre.
9. Si le tuyau de refoulement de la pompe risque d'être exposé au gel, l'installer de façon que sa partie exposée au gel puisse se vider par gravité. Si l'on ne respecte pas cette recommandation, l'eau risque de rester emprisonnée dans le tuyau de refoulement et de geler, ce qui endommagera la pompe.
10. Après avoir branché les tuyaux et posé un clapet antiretour (le cas échéant), la pompe est prête à fonctionner.
11. Vérifier le fonctionnement de la pompe en remplissant le puisard et en observant son fonctionnement sur un cycle complet.
ATTENTION **Risque d'inondation.** Ne pas procéder à cette vérification risque de causer un fonctionnement inadéquat, une panne prématurée de la pompe et une inondation.

Fonctionnement / Entretien

AVERTISSEMENT **Risque de secousses électriques, de brûlures, voire de mort.** Ne pas manipuler la pompe ni son moteur si on a les mains humides ou si on se tient debout sur une surface humide, mouillée ou dans l'eau.

Avant de déterminer pourquoi une pompe a cessé de fonctionner, couper le courant qui l'alimente.

AVERTISSEMENT **Risque d'explosion pouvant causer de graves blessures, des dommages matériels, voire la mort.** Ne pas utiliser ces pompes dans des atmosphères explosives. Ne pomper que de l'eau avec ces pompes.

1. Le joint de l'arbre dépend de l'eau pour être lubrifié. Ne pas faire fonctionner ces pompes si elles ne sont pas immergées dans l'eau, sinon le joint de l'arbre sera endommagé.
2. Le moteur est protégé par un protecteur contre les surcharges thermiques à réarmement automatique. Si la température du moteur augmente anormalement, le disjoncteur se déclenchera et coupera le courant avant que le moteur soit endommagé. Dès que le moteur aura suffisamment refroidi, le disjoncteur se réenclenchera automatiquement et le moteur redémarrera. Si le protecteur se déclenche constamment, débrancher la pompe, la sortir du puisard et en rechercher la cause. Une tension basse, l'utilisation d'un cordon prolongateur trop long, un impulseur colmaté, une hauteur de refoulement très basse, etc., risquent de causer cet incident.
3. Cette pompe ne videra pas toute l'eau du puisard. Si on la fait fonctionner manuellement et qu'elle ne débite plus d'eau, l'arrêter immédiatement. Le niveau de l'eau est probablement très bas et la pompe s'est désamorcée.

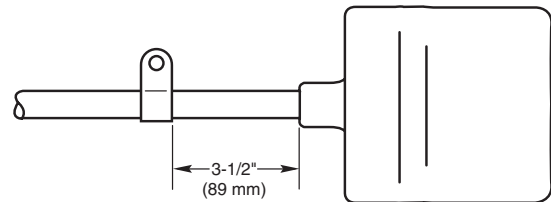


Figure 2 – Longueur du cordon de l'interrupteur à flotteur des modèles MDC33PI, MDC33PCI, MDC50PI et MDC33PCI.

AVIS : Ne pas modifier la longueur du cordon de l'interrupteur à flotteur. L'interrupteur à flotteur doit pouvoir se déplacer sur un complet sans être gêné.

Bouchons d'air

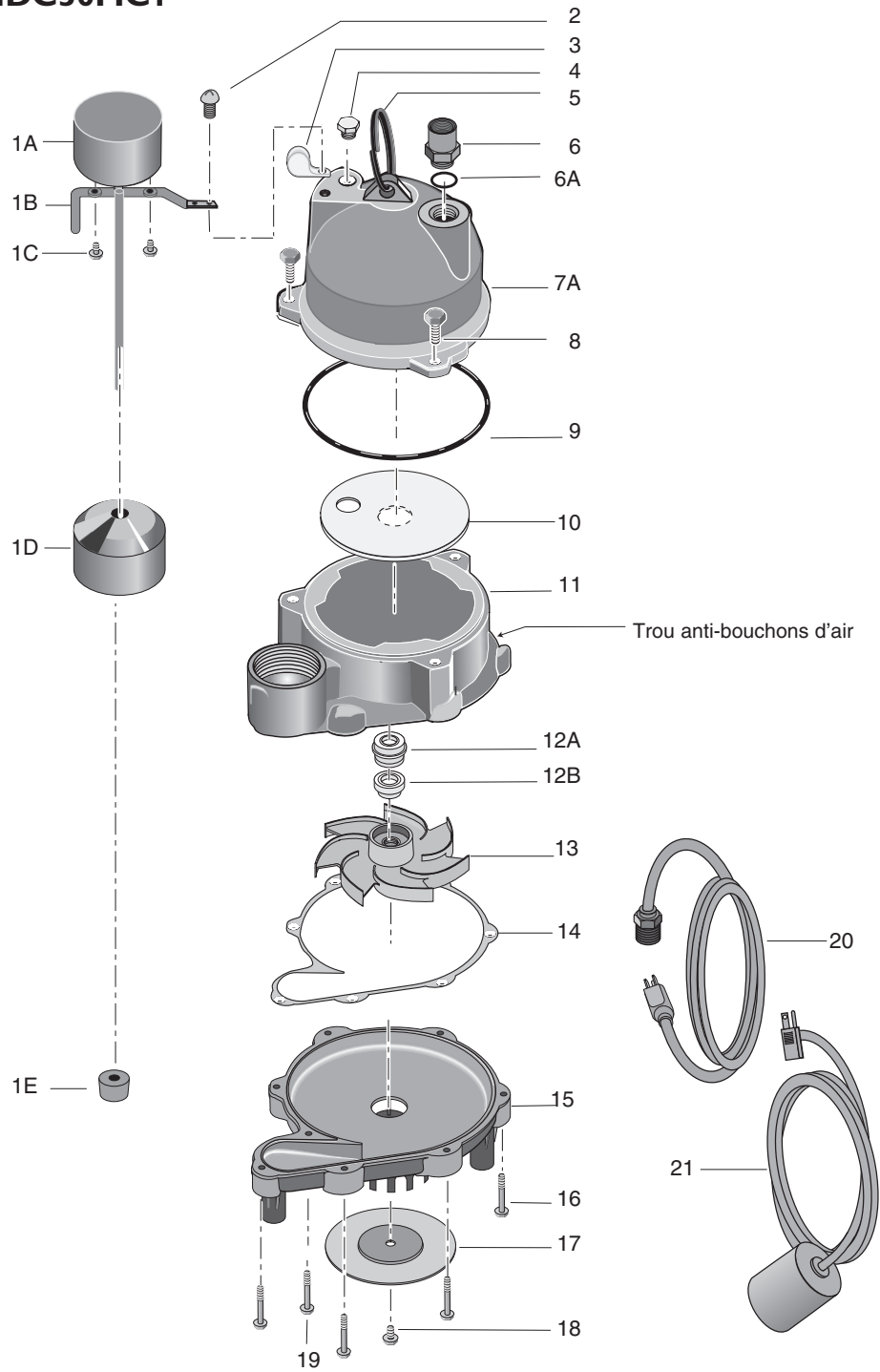
Si des bouchons d'air se forment dans une pompe, elle fonctionnera mais ne pompera pas d'eau. Elle surchauffera et tombera alors en panne. Ces pompes comportent un trou anti-bouchons d'air incorporé. Se reporter à la *Pièces de rechange* pour savoir où se trouve ce trou. Il est normal que le liquide coule par ce trou.

Si on pense qu'un bouchon d'air s'est formé, débrancher la pompe, nettoyer le trou avec un trombone ou un morceau de fil, puis redémarrer la pompe.

Tableau de Diagnostic des pannes

Incidents	Causes possible(s)	Remède(s)
La pompe ne démarre pas ou ne fonctionne pas.	Fusible sauté.	Le remplacer par un fusible de calibre adéquat.
	Tension de ligne basse.	Si la tension est inférieure à la tension minimale recommandée, vérifier le calibre du câblage côté disjoncteur principal de la propriété. Si tout est correct, s'adresser à la compagnie d'électricité.
	Moteur défectueux.	Remplacer la pompe.
	Interrupteur à flotteur défectueux.	Remplacer l'interrupteur à flotteur.
	L'impulseur.	Si l'impulseur ne tourne pas, débrancher la pompe, déposer son corps inférieur et trouver la source de grippage. Au besoin, remplacer l'impulseur.
	Flotteur obstrué.	Enlever l'obstruction.
La pompe démarre et s'arrête trop souvent.	Circulation à contre-courant de l'eau dans le tuyau.	Poser un clapet antiretour ou remplacer l'ancien.
	Interrupteur à flotteur défectueux.	Remplacer l'interrupteur à flotteur.
La pompe ne s'arrête pas.	Interrupteur à flotteur défectueux.	Remplacer l'interrupteur à flotteur.
	Réfoulement obstrué (obstruction dans le tuyau).	Sortir la pompe du puisard, puis la nettoyer ainsi que les tuyaux.
	Flotteur obstrué.	Enlever l'obstruction.
La pompe fonctionne mais débite très peu ou pas du tout.	Tension de ligne basse.	Si la tension est inférieure à la tension minimale recommandée, vérifier le calibre du câblage côté disjoncteur principal de la propriété. Si tout est correct, s'adresser à la compagnie d'électricité.
	Corps étrangers coincés dans l'impulseur.	Nettoyer l'impulseur s'il est bouché.
	Le trou anti-bouchons d'air est bouché.	Arrêter la pompe, le nettoyer, puis redémarrer la pompe.

MDC33PI, MDC33PCI
MDC33VI, MDC33VCI
MDC33MI, MDC33MCI
MDC50PI, MDC50PCI
MDC50VI, MDC50VCI
MDC50MI, MDC50MCI



Réf.	Désignation	Qté	MDC33P1 MDC50P1	MDC33PC1 MDC50PC1	MDC33V1 MDC50V1	MDC33VC1 MDC50VC1	MDC33M1 MDC50M1	MDC33MC1 MDC50MC1
1	Interrupteur vertical (comprend les Réf. 1A à 1F)	1	-		PKG 208	PKG 209	-	
1A	Interrupteur	1						
1B	Support de montage	1						
1C	Vis	2						
1D	Flotteur	1						
1E	Patte de fixation	1						
1F	Butée	1						
2	Vis auto-taraudeuse n° 8-1/2 (+)	1	U30-539SS				-	
3	Collier du cordon du flotteur (+)	1	CC0030-13		-			
4	Bouchon de remplissage d'huile	1	U78-941ZPV					
5	Anneau-poignée	1	U97-128					
6	Raccord de cordon	1	PS17-46P					
6A	Joint torique	1	U9-370					
7A	Couvercle du moteur	1	PS18-144GR					
8	Vis d'assemblage à tête hexagonale n° 10 - 32 x 3/4 pouce	3	U30-482SS					
9	Joint torique	1	U9-339					
10	Disque isolant	1	PS18-82					
11	Moteur et volute supérieure	1	Si le moteur tombe en panne, remplacer toute la pompe.					
12A	Tête fixe du joint de l'arbre	1	U9-379A					
12B	Bague d'appui rotative du joint de l'arbre	1	U9-321A					
13	Impulseur	1	L'impulseur numéro PS5-26P est utilisé sur les pompes de la série MDC33 L'impulseur numéro PS5-29P est utilisé sur les pompes de la série MDC50					
14	Joint plat	1	PS20-21					
15	Volute inférieure	1	PS1-34P					
16	Vis auto-taraudeuse n° 10-32 x 1 1/8 pouce à rondelle captive du corps inférieur de la pompe	7	U30-966SS					
17	Plaque d'aspiration	1	U43-142SS					
18	Vis à tête cylindrique large n° 6 1/4 pouce	1	U30-972SS					
19	Vis auto-taraudeuse n° 10-32 x 1 1/8 pouce à rondelle captive du corps inférieur	1	U30-967SS					
20	Cordon électrique	1	Voir tableau <i>Cordons électriques</i>					
21	Interrupteur à flotteur à cordon	1	PS17-109	PS17-111	-			
	Huile diélectrique		Utiliser 29 cl (0,61 Chopine) dans tous les modèles, U197-8A					

Cordons électriques

Modèles de pompe	Numéros de pièce	Modèles de pompe	Numéros de pièce
MDC33M1	PW117-281-TSU	MDC50M1	PW117-237-TSU
MDC33P1	PW117-281-TSU	MDC50P1	PW117-237-TSU
MDC33V1	PW117-281-TSU	MDC50V1	PW117-237-TSU
MDC33MC1	PW117-122-TSU	MDC50MC1	PW117-122-TSU
MDC33PC1	PW117-122-TSU	MDC50PC1	PW117-122-TSU
MDC33VC1	PW117-122-TSU	MDC50VC1	PW117-122-TSU

Instrucciones importantes de seguridad

Guarde estas instrucciones - Este manual contiene instrucciones importantes que se deben seguir durante la instalación y el mantenimiento del bombas de sumidero.

▲ Este es un símbolo de alerta sobre la seguridad. Cuando vea este símbolo en su bomba o en este manual, busque para ver si hay alguna de las siguientes palabras de señal y esté alerta a la posibilidad de lesiones personales.

▲ PELIGRO indica un riesgo que, de no evitarse, *provocará* la muerte o lesiones de gravedad.

▲ ADVERTENCIA indica un riesgo que, de no evitarse, *podría provocar* la muerte o lesiones de gravedad.

▲ PRECAUCIÓN indica un riesgo que, de no evitarse, *podría provocar* lesiones leves o moderadas.

AVISO hace referencia a una práctica no relacionada con una lesión física.

Lea y siga cuidadosamente todas las instrucciones de seguridad en este manual y en la bomba.

Mantenga las etiquetas de seguridad en buen estado. Reemplace las etiquetas de seguridad que falten o que estén dañadas.

Descripción

Estas Bombas Sumergible de Sumidero ha sido diseñada para sumideros domésticos. La unidad viene equipada con un cordón de corriente de 3 puntas, de tipo conexión a tierra. El motor de polos protegidos está lleno de aceite y sellado para funcionamiento más frío. Los cojinetes de bolas de la camisa superior/inferior en el eje del motor nunca necesitan lubricación. Con protección térmica de reposición automática.

Información general sobre la seguridad

Las bombas de sumidero con accionamiento eléctrico, generalmente brindan muchos años de servicio sin problemas cuando se las instala, mantiene y emplea correctamente. Sin embargo, circunstancias inusuales (como la interrupción de la corriente hacia la bomba, suciedad/escombros en el sumidero, inundación que supera la capacidad de la bomba, fallas eléctricas o mecánicas en la bomba, etc.) pueden evitar que la bomba funcione normalmente. Para evitar posibles daños causados por el agua y debidos a inundaciones, consulte con su representante de ventas sobre la posibilidad de instalar un bomba secundaria de sumidero, una bomba de reserva de CA para sumidero, y/o una alarma de nivel alto de agua. Consulte la *Tabla de localización de fallas* en este manual para obtener información sobre los problemas comunes con bombas de sumidero y sus soluciones. Para mayor información, consulte con su representante de ventas.

1. Infórmese sobre la aplicación, limitaciones y posibles riesgos de la bomba.
2. Desconecte la energía eléctrica antes de efectuar reparaciones.
3. Alivie toda la presión dentro del sistema antes de reparar cualquier componente.
4. Drene toda el agua del sistema antes de efectuar reparaciones.
5. Asegure bien la tubería de descarga antes de poner en marcha la bomba. Una tubería de descarga que no esté bien segura puede moverse y causar lesiones personales y/o daños materiales.

6. Antes de cada uso, verifique si las mangueras están débiles o gastadas, asegurándose de que todas las conexiones estén firmes.
7. Inspeccione periódicamente el sumidero, la bomba y los componentes del sistema. Manténgalos limpios de basuras y objetos foráneos. Realice el mantenimiento de rutina según sea necesario.
8. Provea un medio de alivio de la presión para aquellas bombas cuya tubería de descarga pueda bloquearse u obstruirse.
9. Seguridad Personal :
 - a. Use lentes protectores en todo momento cuando trabaje con la bomba.
 - b. Mantenga la zona de trabajo limpia, despejada y debidamente iluminada - guarde todas herramientas y el equipo que no se use.
 - c. Mantenga a los visitantes a una distancia segura de la zona de trabajo.
 - d. Asegúrese de que su taller sea a prueba de niños - con candados, conmutadores maestros y sacando las llaves del arrancador.
10. Cuando instale el cableado de una bomba accionada eléctricamente, observe todos los códigos eléctricos y de seguridad que correspondan.
11. Esta bomba se puede usar solamente con corriente de 115 voltios (monofásica) y está equipada con un cordón aprobado de 3 conductores y 3 clavijas, de tipo con conexión a tierra.

▲ ADVERTENCIA **Riesgo de choque eléctrico.** Puede causar quemaduras o muerte. Para reducir el riesgo de choque eléctrico, desenchufe la bomba antes de repararla. La bomba es suministrada con un conductor de puesta a tierra y un enchufe de tipo con conexión a tierra. Asegúrese de que se conecte solamente a un tomacorriente puesto a tierra, de tipo con conexión a tierra.

Si el tomacorriente mural es del tipo para 2 clavijas, éste debe ser reemplazado por un tomacorriente de 3 clavijas e instalado de acuerdo con los códigos y reglamentos que correspondan.

No se ha comprobado aún si esta bomba pueda ser usada en albercas.

12. Todo el cableado debe ser efectuado por un electricista certificado.
13. Asegúrese de que la fuente de alimentación cumpla con los requisitos de su equipo.
14. Proteja el cordón eléctrico contra objetos afilados, superficies calientes, aceite y sustancias químicas. Evite que se enrede. Reemplace o repare inmediatamente un cordón que esté dañado o gastado.
15. No toque un motor cuando esté funcionando. Los motores pueden funcionar a temperaturas altas.
16. No manipule la bomba ni el motor de la bomba con las manos mojadas o cuando esté parado en suelo húmedo o mojado, o en el agua.

Advertencia de la Proposición 65 de California

▲ ADVERTENCIA Este producto y accesorios relacionados contienen sustancias químicas reconocidas en el Estado de California como causantes de cáncer, malformaciones congénitas y otros daños al sistema reproductivo.

Garantía Limitada

Myers le garantiza al consumidor inicial (“Comprador” o “Usted”) de los productos indicados a continuación, que éstos estarán libres de defectos en materiales y en mano de obra durante el Período de Garantía especificado a continuación.

Producto	Período de garantía
Bombas de chorro, pequeñas bombas centrífugas, bombas sumergibles y accesorios asociados	lo que ocurra primero: 12 meses desde la fecha de la instalación inicial, o 18 meses desde la fecha de fabricación
Tanques de devanado de fibra	5 años desde la fecha de la instalación inicial
Tanques a presión de acero	5 años desde la fecha de la instalación inicial
Productos para sumideros/aguas residuales/efluente	12 meses desde la fecha de la instalación inicial, o 36 meses desde la fecha de fabricación
Bombas procesadoras de sólidos de aguas residuales	12 meses desde la fecha de envío de la fábrica, o 18 meses desde la fecha de fabricación

Nuestra garantía se aplica solamente en los casos en que tales productos se utilicen conforme a los requerimientos del catálogo del producto y/o de los manuales correspondientes. Por información adicional, se deberá consultar la garantía limitada estándar correspondiente que aparece en el manual del producto.

Nuestra garantía no se aplicará a ningún producto que, a nuestro solo juicio, haya sido sometido a negligencia, mal uso, instalación o mantenimiento inadecuados. Sin perjuicio a lo que antecede, nuestra garantía quedará anulada en el caso en que un motor trifásico se haya usado con una fuente de alimentación monofásica, a través de un convertidor de fase. Es importante indicar que la garantía quedará anulada si los motores trifásicos no están protegidos por relés de sobrecarga de disparo extra-rápido, con compensación ambiental de tres etapas, del tamaño recomendado.

Su único recurso, y la única obligación de MYERS es la de reparar o reemplazar los productos defectuosos (a juicio de MYERS). Usted deberá pagar todos los cargos de mano de obra y de envío asociados a esta garantía y deberá solicitar el servicio bajo garantía a través del concesionario instalador tan pronto como se descubra un problema. No se aceptará ninguna solicitud de servicio bajo garantía que se reciba después del vencimiento del Período de Garantía. Esta garantía no es transferible.

MYERS NO SE HARÁ RESPONSABLE DE NINGÚN DAÑO CONSECUENTE, INCIDENTAL O CONTINGENTE.

LAS GARANTÍAS LIMITADAS QUE ANTECEDEN SON EXCLUSIVAS Y EN LUGAR DE TODA OTRA GARANTÍA EXPLÍCITA O IMPLÍCITA, INCLUYENDO, PERO SIN LIMITARSE, A LAS GARANTÍAS IMPLÍCITAS DE COMERCIABILIDAD E IDONEIDAD PARA UN FIN ESPECÍFICO, LAS GARANTÍAS LIMITADAS QUE ANTECEDEN NO SE EXTENDERÁN MÁS ALLÁ DEL PERÍODO DE GARANTÍA INDICADO EN LA PRESENTE.

Ciertos estados no permiten la exclusión o limitación de daños incidentales o consecuentes o la aplicación de limitaciones en la duración de garantías implícitas, de modo que es posible que las limitaciones o exclusiones que preceden no correspondan en su caso. Esta garantía le otorga derechos legales específicos, y es posible que Usted tenga otros derechos que pueden variar de un estado al otro.

Esta Garantía Limitada entra en vigor a partir del 7 de febrero de 2014 y reemplaza toda otra garantía sin fecha o con fecha anterior al 7 de febrero de 2014.

F.E. MYERS
293 Wright St., Delavan, WI 53115
Teléfono: 888-987-8677 – Fax: 800-426-9446 – www.fenmyers.com
En Canadá: 269 Trillium Dr., Kitchener, Ontario N2G 4W5
Teléfono: 519-748-5470 – Fax: 519-748-2553

⚠ ADVERTENCIA Riesgo de choque eléctrico. Puede causar quemaduras o muerte. Si su sótano tiene agua o humedad en el piso, no camine en el lugar mojado hasta que no haya desactivado toda fuente de corriente eléctrica. Si la llave de paso está en el sótano, llame a la compañía de electricidad o de energía para cortar el servicio a su casa, o llame al departamento de bomberos de su localidad para solicitar instrucciones. Saque la bomba y repárela o reemplácela. El incumplimiento de esta advertencia puede resultar en un choque eléctrico mortal.

- 17. Bomba de agua sólo con esta bomba. No use con agua salada o en salmuera.
- 18. No instale la bomba en ningún lugar clasificado como peligroso por el Código Eléctrico Nacional, ANSI/NFPA 70-1984 o el Código Eléctrico Canadiense.

Especificaciones

Suministro de corriente requerido 115V, 60 Hz
 Gama de temp. del líquido 32° F a 130° F (0° - 54° C)
 Requiere un Serie MDC33: 15 amperios
 ramal individual Serie MDC50: 20 amperios
 Accesorios de descarga: NPT de 1-1/2"

Rendimiento

GPM (LPM) a altura total en pies (m)						No hay flujo a las alturas siguientes:
Modelo	5 (1.5)	10 (3)	15 (4.6)	20 (6.1)	25 (7.6)	
Capacidad en galones (litros)/minuto						
MDC33	48 (182)	40 (151)	29 (110)	15 (57)	-	24 pi. (7.3m)
MDC50	62 (235)	53 (201)	46 (174)	38 (144)	29 (110)	32 pi. (9.8m)

Instalación

1. Instale la bomba en el foso del sumidero con un diámetro mínimo de 10" (254 mm) para los modelos equipados con conmutadores verticales y 14" (356 mm) para los modelos con conmutadores anclados de flotador. La profundidad del sumidero debe ser de 15" (381 mm). Construya el foso del sumidero de baldosa, hormigón, acero o plástico. Consulte todos los códigos locales con respecto a los materiales que hayan recibido el visto bueno.
2. **AVISO:** Cuando instale el conmutador vertical, no empuje el tope de la barra (Ref. No. 1F, *Piezas de repuesto*) más arriba de la punta inferior en la barra del flotador. Si se empuja más arriba por la barra, el conmutador quedará colgado en la descarga de la bomba y la dañará.

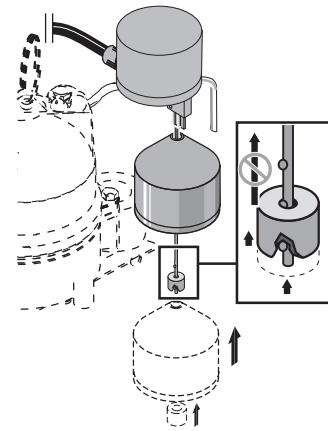


Figura 1

3. La bomba no se debe instalar sobre superficies de barro, tierra o arena. Limpie toda piedrita o gravilla que se encuentre el foso del sumidero y que pueda obstruir la bomba. Mantenga la malla de admisión de la bomba limpia y despejada.

Especificaciones del motor, conmutador y cordón

Número del modelo	Motor – CV	Carga total del motor – amps	Requiere un ramal individual (amperios)	Largo del cordón	*Graduación del conmutador en pulgadas (mm)	
					Encendido	Apagado
MDC33P1	1/3	9,8	15	10'	13" (330)	4" (102)
MDC33V1	1/3	9,8	15	10'	7" (178)	2" (51)
MDC33M1	1/3	9,8	15	10'	-	-
MDC33PC1	1/3	9,8	15	20'	13" (330)	4" (102)
MDC33VC1	1/3	9,8	15	20'	7" (178)	2" (51)
MDC33MC1	1/3	9,8	15	20'	-	-
MDC50P1	1/2	12,5	20	10'	13" (330)	4" (102)
MDC50V1	1/2	12,5	20	10'	7" (178)	2" (51)
MDC50M1	1/2	12,5	20	10'	-	-
MDC50PC1	1/2	12,5	20	20'	13" (330)	4" (102)
MDC50VC1	1/2	12,5	20	20'	7" (178)	2" (51)
MDC50MC1	1/2	12,5	20	20'	-	-

4. Instale la bomba en el foso de manera que el mecanismo de operación del conmutador tenga el máximo posible de luz (espacio libre).
5. Instale la tubería de descarga. Cuando use tubería rígida, use tubería que sea de plástico. Envuelva las roscas con cinta PTFE Atornille a mano la tubería en la bomba, +1 – 1-1/2 vuelta.
AVISO: No use un compuesto común para juntas de tuberías en una tubería de plástico. El compuesto para juntas de tuberías puede atacar al plástico y perjudicar la bomba.
▲ PRECAUCIÓN Riesgo de inundación. Si se usa una manguera de descarga flexible, asegúrese de que la bomba esté bien inmovilizada para que no pueda moverse dentro del sumidero. Si la bomba no está bien firme puede moverse y causar interferencia con el conmutador, impidiendo que la bomba se ponga en marcha o se detenga.
6. Para reducir el ruido y las vibraciones del motor, se puede conectar una manguera corta de caucho (por ej. manguera de radiador) en la línea de descarga, cerca de la bomba, usando las abrazaderas adecuadas.
7. Instale una válvula de retención en línea para evitar el retroflujo a través de la bomba cuando ésta se apague.
8. **Fuente de Alimentación: La bomba está diseñada para 115 V., 60 Hz., operación y requiere un mínimo de 15 amperios (1 / 3 HP) o de 20 amperios (1 / 2 HP) circuito individual** (consulte la tabla de *Especificaciones del motor, conmutador y cordón*). Tanto la bomba como el conmutador vienen con juegos de cordones de 3 conductores con enchufes del tipo con conexión a tierra. El enchufe del conmutador se enchufa directamente en el tomacorriente y el enchufe de la bomba se introduce en el extremo opuesto del enchufe del conmutador.
▲ ADVERTENCIA Tension pelagrosa. Puede causar choque, quemaduras o muerte. La bomba siempre debe estar puesta a tierra por medio de una conexión eléctrica a tierra adecuada como una tubería de agua puesta a tierra, una canalización metálica debidamente puesta a tierra, o un sistema de cableado a tierra. No modifique el cordón ni el enchufe, ni corte la clavija redonda de conexión a tierra.
9. Si la línea de descarga de la bomba está expuesta a la intemperie con temperaturas debajo del punto de congelamiento, la porción de la línea que quede expuesta, deberá ser instalada de manera que el agua que permanezca en la tubería se desagüe hacia la salida por gravedad. Si se ignora esta precaución, existe el riesgo de que el agua que quede atrapada en la descarga se congele y dañe la bomba.
10. Después de que se haya instalado la tubería y la válvula de retención, la bomba estará lista para su funcionamiento.
11. Verifique el funcionamiento de la bomba, llenando el sumidero con agua y haciendo funcionar la bomba a través de un ciclo completo.
▲ PRECAUCIÓN Riesgo de inundación. El incumplimiento de esta verificación del funcionamiento puede resultar en una funcionamiento inadecuado, en una falla prematura y en inundaciones.

Operación / Mantenimiento

▲ ADVERTENCIA Riesgo de choque eléctrico. Puede causar quemaduras o muerte. No manipulee la bomba ni el motor de la bomba con manos mojadas o cuando esté parado sobre una superficie mojada o húmeda, o en agua.

Antes de tratar de verificar la razón por la cual la unidad ha dejado de funcionar, desconecte la corriente.

▲ ADVERTENCIA Riesgo de incendio o de explosión. Puede causar lesiones graves, daños materiales o muerte. No se debe usar en atmósferas explosivas. Esta bomba se debe utilizar solamente para bombear agua.

1. El sello del eje depende del agua para su lubricación y refrigeración. No opere la bomba a menos que se encuentre en agua, ya que el sello se perjudicará si marcha en seco.
2. El motor viene equipado con un protector térmico de reposición automática. Si la temperatura en el motor se eleva indebidamente, el conmutador cortará la corriente antes de que el motor se pueda perjudicar. Cuando el motor se haya enfriado lo suficiente, el conmutador se reposicionará automáticamente y volverá a arrancar el motor. Si el protector se dispara repetidamente, será necesario sacar la bomba y verificar la causa de este problema. Una tensión baja, cordones largos de extensión, un impulsor tapado, muy poca altura o elevación, etc. pueden ocasionar estos ciclos.
3. La bomba no extrae toda el agua. Si una bomba operada manualmente está funcionando y de repente no sale agua de la manguera de descarga, apague la unidad inmediatamente. El nivel del agua es probablemente muy bajo y la unidad no está cebando.

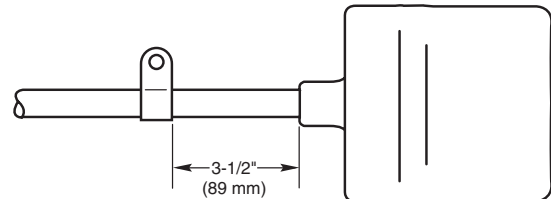


Figura 2 – Largo de la traba del conmutador de flotación: Modelos MDC33PI, MDC33PCI, MDC50PI y MDC50PCI.

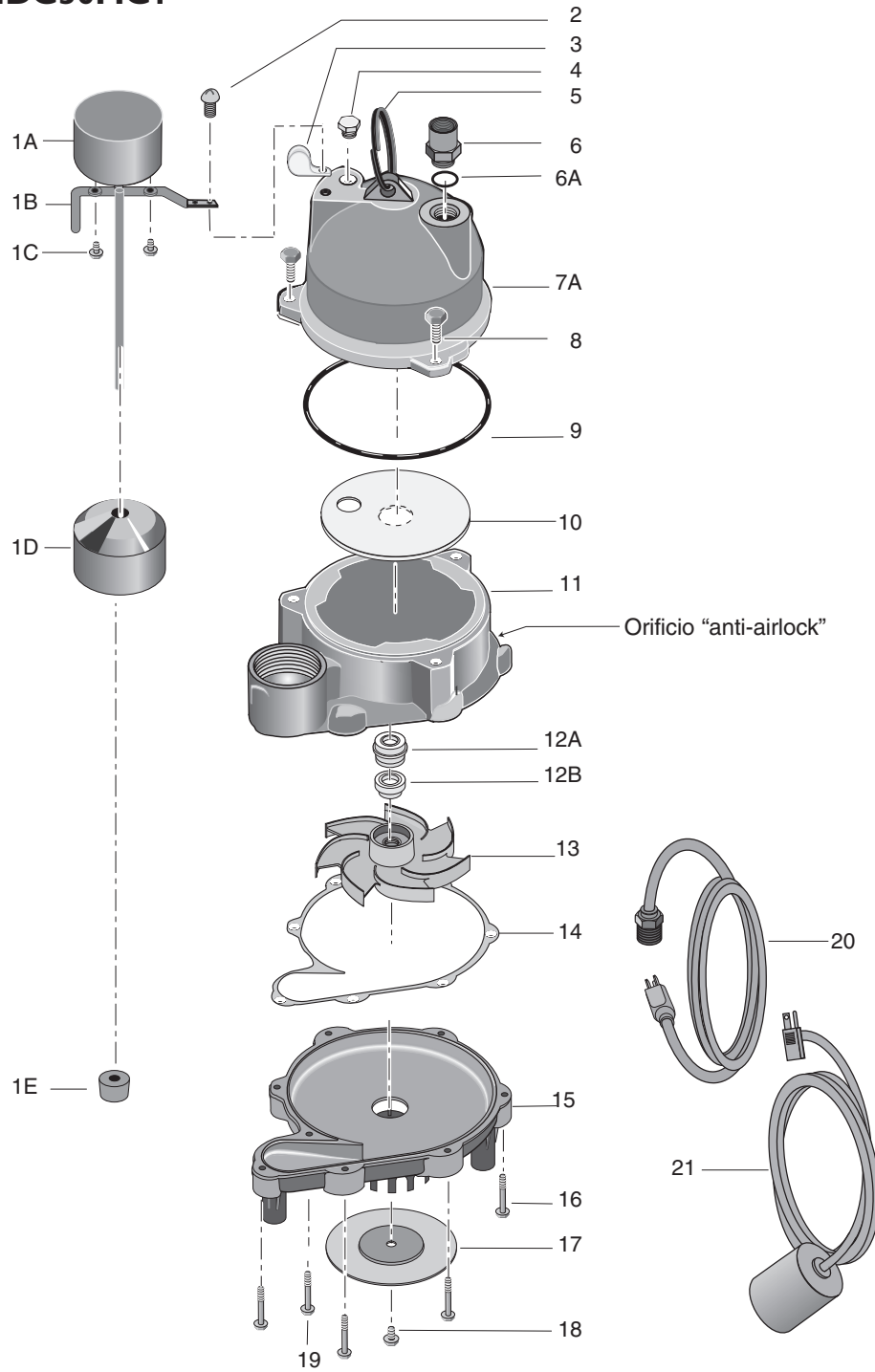
AVISO: No cambie el largo de la traba del conmutador de flotación. El flotador debe poder columpiarse en su arco completo sin interferir.

Bolsas de aire (“airlock”)

Cuando el flujo de la bomba disminuye o se para debido a bolsas de aire, la bomba marcha pero no mueve agua. Una bolsa de aire puede hacer que la bomba se recaliente y falle. Esta bomba comparte un orificio “anti-airlock” para eliminar las bolsas de aire, (ver *Piezas de repuesto*). Fugas del orificio “anti-airlock” está normal.

Si usted sospecha que hay una bolsa de aire, desenchufe la bomba, limpie el orificio “anti-airlock” con un clip de papel o un trozo de alambre y vuelva a activarla.

MDC33PI, MDC33PCI
MDC33VI, MDC33VCI
MDC33MI, MDC33MCI
MDC50PI, MDC50PCI
MDC50VI, MDC50VCI
MDC50MI, MDC50MCI



Ref.	Descripción	Cant.	MDC33P1 MDC50P1	MDC33PC1 MDC50PC1	MDC33V1 MDC50V1	MDC33VC1 MDC50VC1	MDC33M1 MDC50M1	MDC33MC1 MDC50MC1
1	Conmutador vertical (incl. 1A al 1F)	1	-		PKG 208	PKG 209	-	
1A	Conmutador	1						
1B	Soporte de montaje	1						
1C	Tornillo	2						
1D	Flotador	1						
1E	Correa de retención	1						
1F	Tope	1						
2	Tornillo, #8-1/2" autorroscante (†)	1	U30-539SS				-	
3	Abrazadera del cable del interruptor (†)	1	CC0030-13		-			
4	Tapón de aceite	1	U78-941ZPV					
5	Mango anular	1	U97-128					
6	Conector del cordón	1	PS17-46P					
6A	Aro tórico	1	U9-370					
7A	Tapa del motor	1	PS18-144GR					
8	Tornillo de cabeza # 10-32 x 3/4"	3	U30-482SS					
9	Aro tórico	1	U9-339					
10	Disco aislador	1	PS18-82					
11	Motor/Voluta superior	1	Si el motor falla, cambie toda la bomba.					
12A	Ensamblaje del cabezal fijo del eje sellado	1	U9-379A					
12B	Aro giratorio del eje sellado	1	U9-321A					
13	Impulsor	1	Use el impulsor PS5-26P para los modelos MDC33 Use el impulsor PS5-29P para los modelos MDC50.					
14	Junta	1	PS20-21					
15	Voluta inferior	1	PS1-34P					
16	Tornillo del cuerpo inferior de la bomba #10-32x1" Arandela hexagonal, autorroscante	7	U30-966SS					
17	Tubería de placa	1	U43-142SS					
18	Tornillo de cabeza platillo #6-1/4"	1	U30-972SS					
19	Tornillo del cuerpo inferior de la bomba #10-32x1-1/8" Arandela hexagonal, autorroscante	1	U30-967SS					
20	Ensamblaje del cordón eléctrico	1	Ver Tabla <i>Ensamblaje del cordón eléctrico</i>					
21	Conmutador de flotador anclado	1	PS17-109	PS17-111	-			
	Aceite dieléctrico		Todos los modelos usan .61 qts., U197-8A					

Ensamblaje del cordón eléctrico

Modelo número de bomba	Número de parte	Modelo número de bomba	Número de parte
MDC33M1	PW117-281-TSU	MDC50M1	PW117-237-TSU
MDC33P1	PW117-281-TSU	MDC50P1	PW117-237-TSU
MDC33V1	PW117-281-TSU	MDC50V1	PW117-237-TSU
MDC33MC1	PW117-122-TSU	MDC50MC1	PW117-122-TSU
MDC33PC1	PW117-122-TSU	MDC50PC1	PW117-122-TSU
MDC33VC1	PW117-122-TSU	MDC50VC1	PW117-122-TSU

Tabla de Localización de fallas

Síntoma	Causa(s) Probable(s)	Acción Correctiva
La bomba no arranca o no marcha.	Fusible quemado.	Si está quemado, cámbielo por un fusible del tamaño adecuado.
	Baja tensión de línea.	Si la tensión se encuentra por debajo del mínimo recomendado, verifique el tamaño de los cables desde el conmutador principal en la propiedad. Si es el correcto, comuníquese con la empresa de energía o de suministro de corriente eléctrica.
	Motor defectuoso.	Cambie la bomba.
	Conmutador de flotación defectuoso.	Cambie el conmutador de flotador.
	Impulsor.	Si el impulsor no gira, saque el cuerpo inferior de la bomba y ubique la fuente de atascamiento.
	Flotador obstruido.	Elimine la obstrucción.
La bomba arranca y se detiene con demasiada frecuencia.	Retroflujo de agua desde la tubería.	Instale o cambie la válvula de retención.
	Conmutador de flotación defectuoso.	Cambie el conmutador de flotador.
La bomba no se apaga.	Conmutador de flotación defectuoso.	Cambie el conmutador de flotador.
	Descarga limitada (obstáculo en la tubería).	Saque la bomba y limpie la bomba y la tubería.
	Flotador obstruido.	Elimine la obstrucción.
La bomba funciona pero entrega poco o nada de agua.	Baja tensión de línea.	Si la tensión se encuentra por debajo del mínimo recomendado, verifique el tamaño de los cables desde el conmutador principal en la propiedad. Si es el correcto, comuníquese con la empresa de energía o de suministro de corriente eléctrica.
	Hay algo atrapado en el impulsor.	Limpie el impulsor.
	Bolsa de aire (disminución de flujo)	Apague la bomba por unos segundos, limpie el orificio "anti-airlock" y luego vuelva a activarla.

This page intentionally left blank

