

PF92330PB

Submersible Thermoplastic Sump Pump With Base

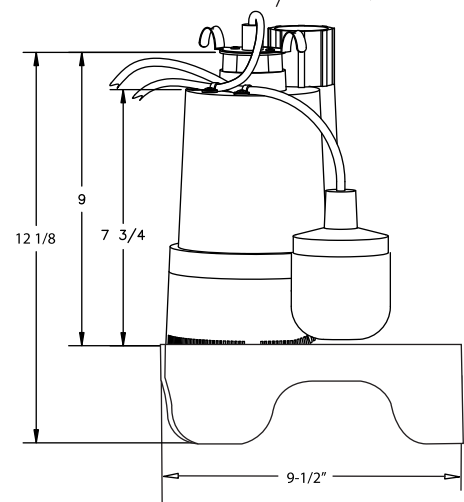
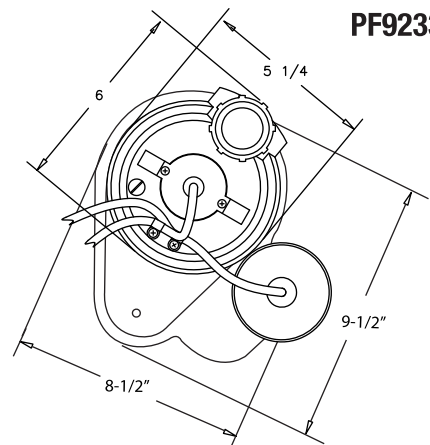
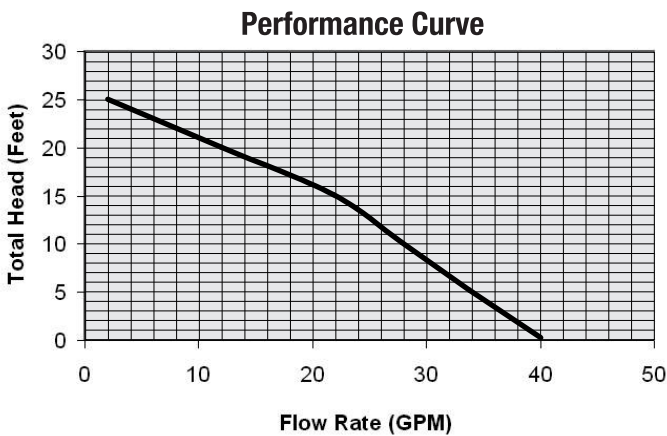


Product Features

- 1/3 HP thermoplastic submersible sump pump with top discharge - tethered float
- Submersible sump pump for typical residential and commercial applications
- Comes with 10' power cord
- 4.1 amps, 486 watts
- Maximum head of 25 feet
- Pre-attached thermoplastic base to prevent clogging & switch malfunction
- Maximum flow rate of 40 gpm
- Permanent split capacitor motor
- Wide Angle Mechanical Float Switch, Pump Mounted
- 1750 RPM
- Liquid temperature range 32° - 120° F
- Discharge size 1-1/4" - 1-1/2" FNPT
- Handles 1/8" solids



PF92330PB



Discharge Height	0'	5'	10'	15'	20'	25'
Gallons per Minute	40	34	28	22	12	2
Gallons per Hour	2400	2040	1680	1320	720	120

Warranty and Codes

These products come complete with installation, operating, care and maintenance instructions. This PROFLO product carries a 3-year limited warranty. In an effort to continually improve our products, FEI will make design changes from time to time. We reserve the right to ship newly designed product to fill any order unless we agree in writing to do otherwise.

Construction

- Thermoplastic housing and pump base
- Thermoplastic Impeller
- Thermoplastic base

