

PF92342

Automatic Sump Pump with Vertical Float



Product Features

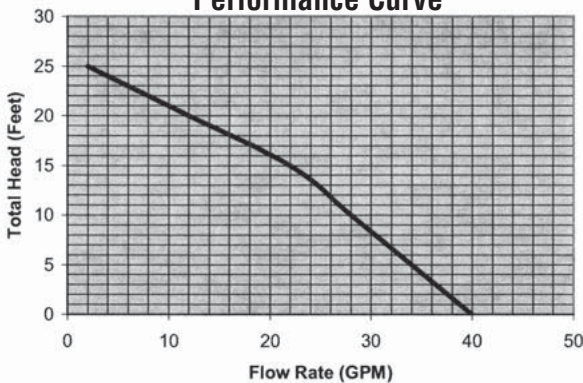
- 1/3 HP thermoplastic automatic sump pump with vertical float
- Submersible sump pump for typical residential applications
- Comes with 10' power cord with piggyback plug (on switch cord)
- 4.1 amps, 486 watts
- Maximum head of 25 feet
- Maximum flow rate of 40 GPM
- 3450 RPM
- Permanent split capacitor motor
- SJE Rhombus vertical float switch
- Liquid temperature range 32°-120°F
- Discharge size 1-1/4" MNPT & 1-1/4" FNPT
- Pumps down to 1/2" of the floor
- Handles 1/8" solids
- Glass reinforced nylon housing and impeller



PF92342

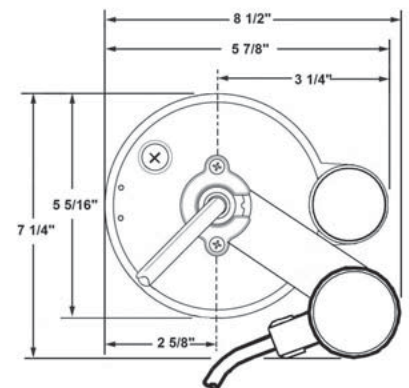
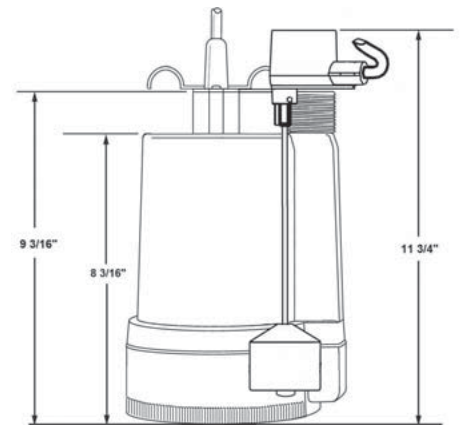
Product Specifications

Performance Curve



Performance Chart

Discharge Height	0'	5'	10'	15'	20'	25'
Gallons per Minute	40	34	28	22	12	2
Gallons per Hour	2400	2040	1680	1320	720	120



Warranty and Codes

This product comes complete with installation, operating, care and maintenance instructions. This PROFLO pump carries a 3-year limited warranty. In an effort to continually improve our products, we will make design changes from time to time. We reserve the right to ship newly designed products to fill any order unless we agree in writing to do otherwise.



Distributed Exclusively by Ferguson and Wolseley Canada