

# MYERS® S50HT SERIES

The Myers® S50HT series high-flow pump is designed for dependability in demanding environments. All cast iron construction and special features to protect the motor make this a pump for the long haul. The S50HT in a boiler blow-down application can withstand liquid temperatures up to 200°F. The non-clogging, semi-open impeller ensures unimpeded flow for high-capacity sump operation.



PW217-280 Control Panel Required (sold separately)

## APPLICATIONS

High-capacity sump, effluent, boiler blow-down

## SPECIFICATIONS

**Capacities** – 100 GPM (378 LPM)  
**Shut-off Head** – 50' (15.2 m)  
**Max. Spherical Solids** – 3/4" (19 mm)  
**Liquids Handling** – Domestic effluent and drain water  
**Max. Liquid Temperature** – 200°F (93°C)  
**Motor/Electrical Data** – 1/2 HP, 3450 RPM, PSC with thermal overload, 115V, 12 FLA, 1Ø, 60Hz  
**Acceptable pH Range** – 5-9  
**Specific Gravity** – .9-1.1  
**Viscosity** – 28-35 SSU  
**Discharge, NPT** – 2" (50 mm)  
**Housing** – Cast iron  
**Minimum Sump Diameter** –  
 Simplex: 24" (61 cm)  
 Duplex: 36" (91.4 cm)  
**Power Cord** – 20', 16/4, SOOW, SOOW-A  
**Shaft Seal** – Durable silicon carbide

## FEATURES

### Tough Against Corrosion

Cast iron housing, volute case and impeller resist the most extreme environments

### Stainless Steel Protection

Stainless steel motor shaft, impeller lock nut and external hardware

### Built-in Overload Protection

Heat sensor overload protection with automatic reset when motor cools to a safe operating temperature

### Smooth Running

Semi-open impeller is designed to resist clogging

### Cool-running

Oil-filled motor provides continuous bearing lubrication and maximizes heat dissipation

### Extended Service

Fully lubricated ball bearings and shaft seal for longer service life

### High-flow Discharge

2" (50 mm) NPT discharge

### Height Adjustable

Legs are drilled and tapped with 1/2" NPT threads to allow pump height adjustment

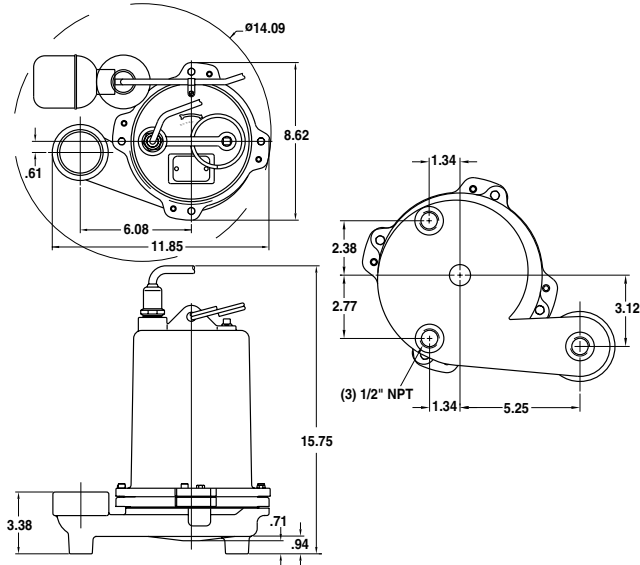
## ORDERING INFORMATION

Catalog Number	HP	Volts	Phase/Cycles	Amps	Discharge Size	Switch Type	Cord Length	Approx. Wt. Lbs.
S50HTPC1	1/2	115	1/60	12	2"	Tethered Automatic*	20'	64
PW217-280	S50HT control box with high temperature float switch							

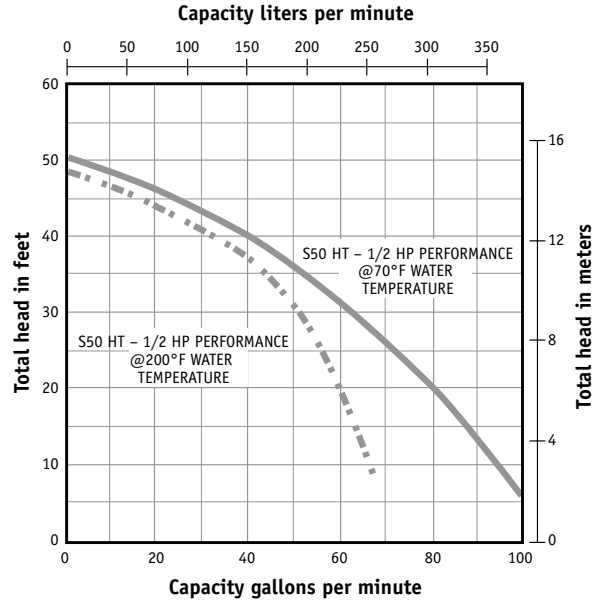
\*Control box is required for operation. Not included with pump - order separately.

# MYERS® S50HT SERIES

## DIMENSIONS



## PUMP PERFORMANCE



USA  
293 WRIGHT STREET, DELAVAN, WI 53115 WWW.FEMEYERS.COM  
PH: 888-987-8677 ORDERS FAX: 800-426-9446

CANADA  
269 TRILLIUM DRIVE, KITCHENER, ONTARIO, CANADA N2G 4W5  
PH: 519-606-5484 ORDERS FAX: 800-426-9446

Because we are continuously improving our products and services, Pentair reserves the right to change specifications without prior notice.