

# Wastewater

## SP33A Series



163025  
C  US  
CSA 108  
UL 778

### Applications

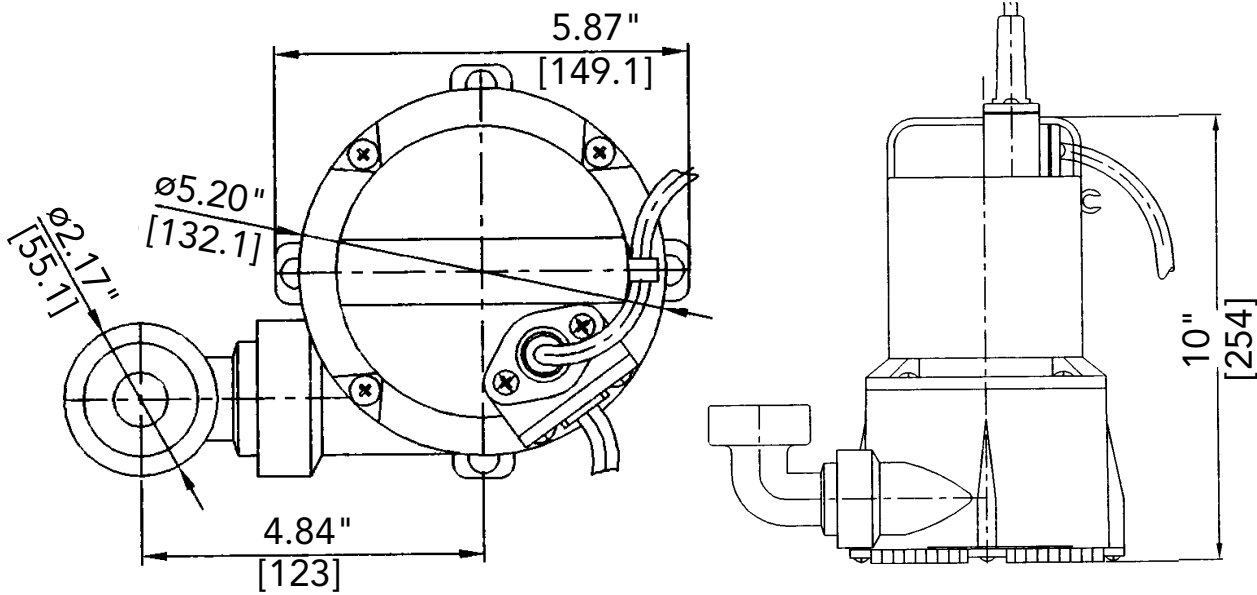
- Automatic utility pump ideal for dewatering and water transfer.

### Features

- 1/3 hp, 115 Volt, thermal overload protected; 3.5 full load Amps; continuous duty "oil free" motor
- Pump casing fully constructed of durable reinforced thermoplastic for excellent corrosion resistance
- Stainless steel motor housing improves heat dissipation for longer motor life
- Stainless steel heat treated shaft
- 1 1/4" NPT discharge for ease of installation
- Non clogging design impeller constructed of durable reinforced thermoplastic
- Permanently lubricated lip seal
- Built-in suction strainer to eliminate internal damage from possible debris. Removable filter screen for easy cleaning
- 1/4" solids handling capability
- Automatic, mechanical float switch
  - On level 11.8" [300mm]
  - Off level 5.9" [150mm]
- 10' power cord

**LittleGIANT®**

## Engineering Data

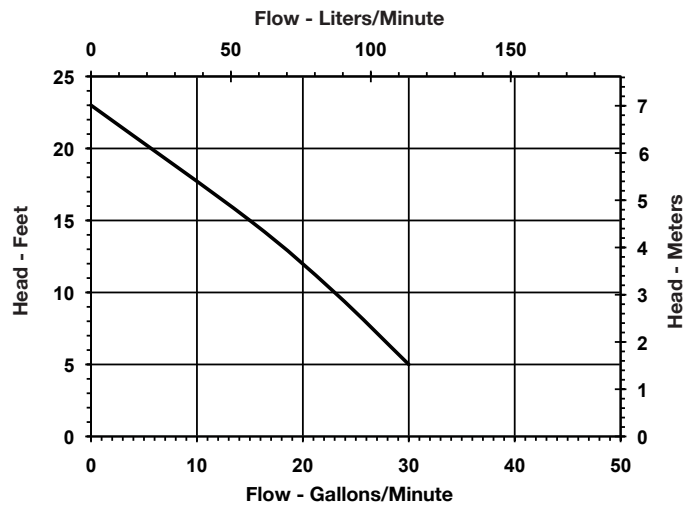


\*Dimensions measured in inches [mm]

## Specifications

Item No.	Model No.	Listing	HP	Volts	Discharge	Performance (gpm @ head)			Shut-Off Head (ft)	Cord Length (ft)	Ship Wt. (lbs)
						5'	10'	15'			
620135	SP33A	cCSAus	1/3	115	1-1/4"	30	23	15	23	10	10

## Performance Data



P.O. Box 12010  
 Oklahoma City, OK 73157-2010  
 Phone: 1.800.701.7894  
 Fax: 1.800.678.7867  
 www.LittleGiantPump.com



©2011 Franklin Electric Co., Inc.  
 Little Giant® is a registered trademark of Franklin Electric Co., Inc.  
 Form 996169 — 05/11