

Please read and save these instructions. Read carefully before attempting to assemble, install, operate or maintain the product described. Protect yourself and others by observing all safety information. Failure to comply with instructions could result in personal injury and/or property damage! Retain instructions for future reference.



# Submersible Sump System

## Description

This submersible sump system is designed for indoor home sump applications. The system consists of a primary sump pump and a back-up pump.

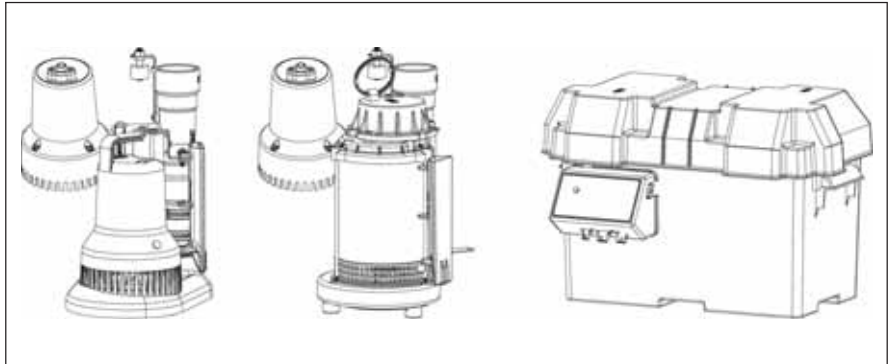
The primary system operates on 120-volt household electric power. It is equipped with a 3-prong grounding type power cord. The motor is oil filled and sealed for cooler running and is designed to operate under water. The primary pump is provided with Switch Genius™ Technology to control the pump. When water is detected, the pump will start automatically.

The battery operated back-up sump pump is included in the event that the primary pump cannot function. It does not replace the primary pump. A float switch automatically turns on the backup sump pump when water activates the float. A battery (not included) must be installed to operate the back-up sump pump.

Model WSS10 consists of a WSCAP30 primary pump and an ESP15 backup pump. Model WSS20 consists of a CDUCAP33 primary pump and an ESP15 backup pump.

## Unpacking

Inspect this unit before it is used. Occasionally, products are damaged during shipment. If the pump or components are damaged, return the unit to the place of purchase for replacement. Failure to do so could result in serious injury or death.



## Specifications

	<b>WSS10</b>	<b>WSS20</b>
Power supply requirements	120V, 60 hz	120V, 60 hz
Motor	Single phase, oil filled	Single phase, oil filled
Liquid temperature range	40°F to 120°F	40°F to 120°F
Circuit requirements	15 amps (min)	15 amps (min)
Dimensions	11 inches high x 9 inches base	11-1/2 inches high x 9-3/4 inches base
Cut-in level (factory set)	8 inches	8 inches
Cut-out level (factory set)	Approx. 3 inches	Approx. 3 inches

## Construction

	<b>WSS10</b>	<b>WSS20</b>
Motor housing	Glass reinforced thermoplastic	Cold rolled steel
Volute	Thermoplastic	Cast iron
Impeller	Glass reinforced thermoplastic	Glass reinforced thermoplastic
Shaft	Stainless steel	Low carbon steel
Seals	Buna N	Buna N
Discharge	1-1/2 inch NPT	1-1/2 inch NPT

**REMINDER: Keep your dated proof of purchase for warranty purposes!  
Attach it to this manual or file it for safekeeping.**

### Safety Guidelines

This manual contains information that is very important to know and understand. This information is provided for SAFETY and to PREVENT EQUIPMENT PROBLEMS. To help recognize this information, observe the following symbols.

**⚠ DANGER** Danger indicates an imminently hazardous situation which, if not avoided, WILL result in death or serious injury.

**⚠ WARNING** Warning indicates a potentially hazardous situation which, if not avoided, COULD result in death or serious injury.

**⚠ CAUTION** Caution indicates a potentially minor or moderate injury.

**NOTICE** Notice indicates important information, that if not followed, may cause damage to equipment.

### General Safety Information

#### CALIFORNIA PROPOSITION 65

**⚠ WARNING** This product or its power cord contains chemicals known to the State of California to cause cancer and birth defects or other reproductive harm. Wash hands after handling.

#### GENERAL SAFETY

**⚠ DANGER** Do not use to pump flammable or explosive fluids such as gasoline, fuel oil, kerosene, etc. Do not use in a flammable and/or explosive atmosphere. Pump should only be used to pump clear water. Personal injury and/or property damage could result.

**⚠ DANGER** All wiring must be performed by a qualified electrician. Failure to follow this warning could result in fatal electrical shock.

**⚠ DANGER**  
 If the basement has water or moisture on the floor, do not walk on wet area until all power is turned off. If the shutoff box is in the basement, call an electrician. Remove pump and either repair or replace. Failure to follow this warning could result in fatal electrical shock.



**⚠ WARNING**  
 Do not expose battery to sparks or flames as an explosion or fire could result.



**⚠ WARNING**  
 Battery acid is corrosive. Avoid spilling on skin or clothing. Eye protection must be worn when handling the battery.



**⚠ WARNING** A ground fault circuit interrupter is required.

**NOTICE** This pump must only be used to pump clear water. This pump is not designed to handle effluent, salt water, brine, laundry discharge or any other application which may contain caustic chemicals and/or foreign materials. Pump damage may occur if used in these applications and will void warranty.

### Back-up Pump Battery Requirements

1. Use only a new fully charged 12 volt deep cycle battery. Electrolyte level must be checked and maintained in accordance with manufacturer's guidelines.
2. Battery sizes that will fit into the battery box are 24C, 24VCM, 27C, 27CM and 27F.
3. Battery recharge time will be different at each installation. Under normal conditions it will take two to four days to bring a deep cycle battery back to full charge after it has been discharged. If electrical power to the house is lost more than once a week, consider keeping a spare, fully-charged battery to replace an exhausted battery for the standby sump pump.

**Installation**

1. Install system in a sump pit that is 11 inch in diameter or greater. Construct sump pit of tile, concrete, steel or plastic. Position primary pump switch AWAY from any inlets so that incoming water does not contact the switch face (see Figure 1).
2. The unit should be located and rest on a solid, level foundation. Do not place pump directly on clay, earth, gravel or sandy surface. These surfaces contain small stones, gravel, sand, etc. that may clog or damage the pump and cause pump failure.

**⚠ WARNING** *Flood risk. If flexible discharge hose is used, make sure pump is secured in sump pit to prevent movement. Failure to secure pump could allow pump movement and switch interference and prevent pump from starting or stopping.*

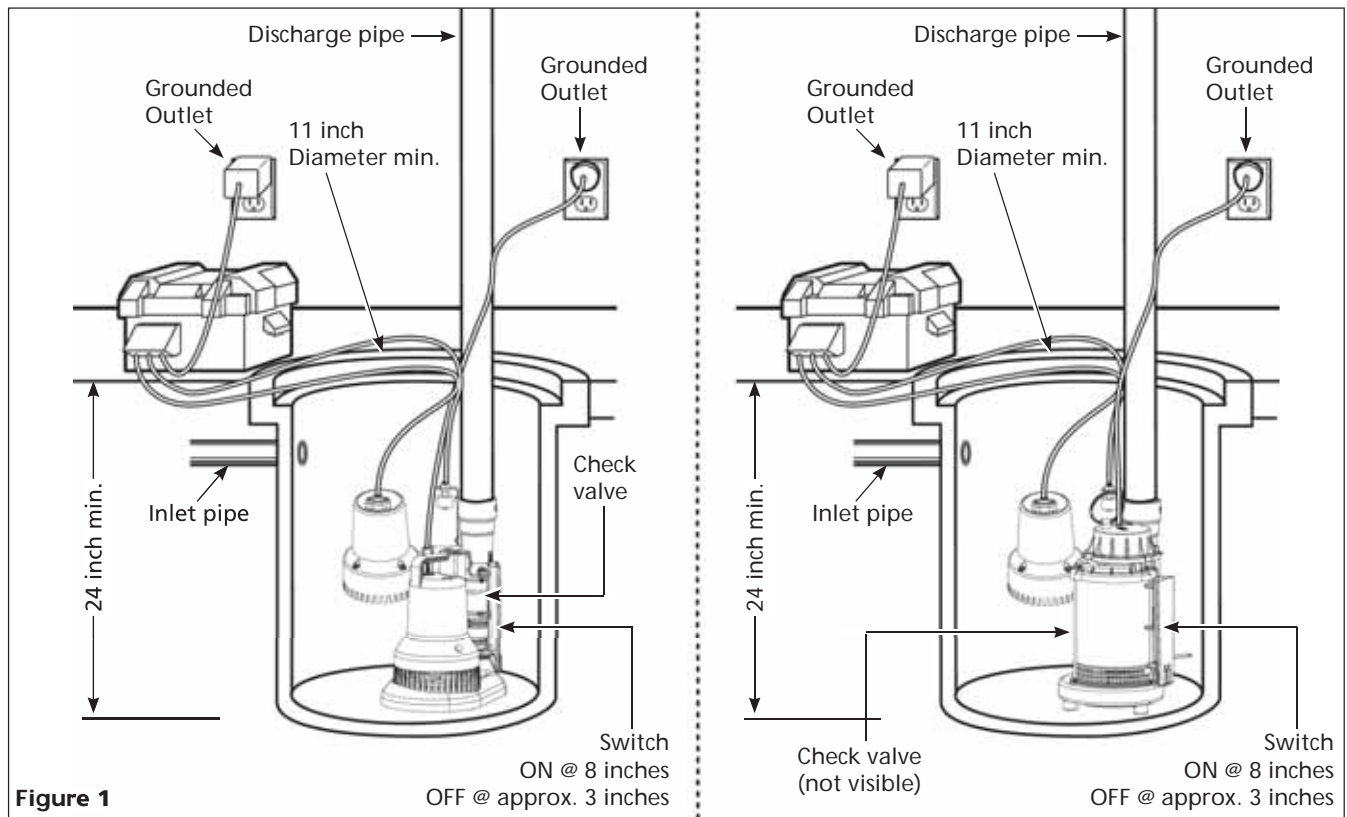
3. Using PVC cement and primer, connect 1-1/4 inch or 1-1/2 inch rigid pipe to the systems discharge fitting.

**⚠ WARNING** *Support pump and piping when assembling and after installation. Failure to do so could cause piping to break, pump to fail, etc. which could result in property damage and/or personal injury.*

4. Place battery in box. Attach red cable from battery box control panel to positive battery terminal. Attach black cable to the negative terminal. Place cover on battery box.

**⚠ CAUTION** *If cables are reversed, damage to the control box or battery could result and will void the warranty.*

5. Place battery box within six feet of the sump and a 115 VAC separately fused outlet. The outlet must be protected by a ground fault circuit interrupter (GFCI). The area must also be clean, dry and well-ventilated.
6. Plug the float switch, pump and charger into the control box. The connections are marked on the control box.
7. Protect electrical cord from sharp object, hot surfaces, oil and chemicals. Avoid kinking the cord and replace damaged cords immediately.
8. A sump pit cover must be installed to prevent debris from clogging or damaging the pump.



**Figure 1**

## Operation - Primary Pump

### **⚠ DANGER**



**Always disconnect the power source before attempting to install, service, relocate or maintain the pump. Never touch sump pump, pump motor, water or discharge piping when pump is connected to electrical power. Never handle a pump or pump motor with wet hands or when standing on wet or damp surface or in water. Fatal electrical shock could occur.**

1. A ground fault circuit interrupter (GFCI) is required (see Figure 2).

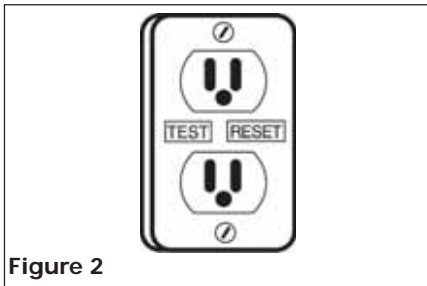


Figure 2

### **⚠ WARNING**



**Risk of electrical shock! This pump is supplied with a grounding conductor and grounding type attachment plug. Use a grounded receptacle to reduce the risk of fatal electrical shock. Never cut off the round grounding prong. Cutting the cord or plug will void the warranty and make the pump inoperable.**

2. The primary pump is only for use on 120 volt (single phase), 60 hz, 15 amp service and is equipped with a 3-conductor cord and 3-prong, grounding type plug. Insert the switch cord plug directly into a 120-volt outlet.
3. Insert the pump power cord plug directly into the back of the water sensor cord plug.
4. Fill sump with water. The pump will start automatically when the water is about 1-1/2 inches from the top of the switch. The pump will recycle thereafter as required.
  - Sump pump will run a minimum of 4 seconds, to a maximum of 16 before stopping.
  - Sump pump run time will be determined by the sump pit size and water flow rate into the sump pit.

- Under flooding conditions, the sump pump will stop for 1 second, every 16 seconds, and automatically turn back on.
5. Do not operate the pump unless it is submerged in water. Dry running causes pump failure.
  6. The motor is equipped with an automatic reset thermal protector.
  7. While the pump is draining the pit, verify that the discharge piping is carrying the water to a point several feet away from the foundation.
  8. If pump discharge line is exposed to freezing temperature, the exposed line must be pitched to drain. Trapped water will freeze and damage the pump.

## Operation - Back-up Pump

### **⚠ DANGER**



**Always disconnect the power source before attempting to install, service, relocate or maintain the pump. Never touch sump pump, pump motor, water or discharge piping when pump is connected to electrical power. Never handle a pump or pump motor with wet hands or when standing on wet or damp surface or in water. Fatal electrical shock could occur.**

### **⚠ WARNING**



**Risk of electrical shock! This pump is supplied with a grounding conductor and grounding type attachment plug. Use a grounded receptacle to reduce the risk of fatal electrical shock. Never cut off the round grounding prong. Cutting the cord or plug will void the warranty and make the pump inoperable.**

1. Test Backup Pump operation by filling the sump with water while the main pump is unplugged. If the Backup Pump operates properly, plug the charger into the GFCI protected outlet to begin charging the battery.
2. After installation, the standby pump will start when the water level rises above the depth that the primary pump should start.
3. The control box has a DC charger designed to shorten the recharging time of your battery, and to prevent overcharging. In addition,

the control box has a time delay which keeps the pump from repeated, short cycles when it shuts off. This time delay feature will allow the pump to run 20-25 seconds after the switch reaches the off position.

4. The control box contains a multi-colored indicator light. When AC power is present, the light will indicate the charging state, and not reflect actual battery voltage, particularly with a defective battery. In order for the indicator light to provide an accurate reading, steps "a" through "d" must be followed.
    - a. Unplug main AC pump and the charger--a power off alert tone will sound for 30 seconds.
    - b. Lift and release the float switch to activate the standby pump.
    - c. When the pump stops, read the test light:
      - Green:** Indicates battery is charged.
      - Yellow:** Voltage is low, indicating battery is partially charged.
      - Red:** Battery is completely discharged or defective.
    - d. Plug in charger and main AC pump.
- When AC power is out, and when pump has been running, the light will indicate battery status.

5. A chirping sound from the control box will accompany the red light, indicating that the battery may require attention or replacement. Voltage is only an indicator of battery condition and may not reflect the true condition of the battery. See Maintenance for instruction on assessing battery condition.
6. A single thirty-second tone will sound when power to the system is interrupted. The unit will reset automatically when power is restored. A three-second tone will sound every time the pump starts.

**Maintenance - Primary Pump****⚠ DANGER**

*Always disconnect the power source before attempting to install, service, relocate or maintain the pump. Never touch sump pump, pump motor, water or discharge piping when pump is connected to electrical power. Never handle a pump or pump motor with wet hands or when standing on wet or damp surface or in water. Fatal electrical shock could occur.*



1. Let the pump cool for a minimum of two hours before servicing because the pump contains hot oil under pressure and the motor is hot.
2. Disassembly of the motor prior to expiration of warranty will void the warranty. If repairs are required, see troubleshooting chart.
3. Inlet should be kept clean and free of all foreign objects and inspect annually. A clogged inlet will damage pump.

4. Pump should be checked monthly for proper operation. Pump can be checked for proper operation by briefly removing pump power cord from the back of the water sensor plug and inserting directly into the grounded outlet. In this condition, the pump will run continuously. Once pump operation is verified, replace pump power cord into the back of the water sensor plug.
5. Wipe water sensor surface regularly to prevent silt or other coatings from building up on sensor face (see Figure 3).

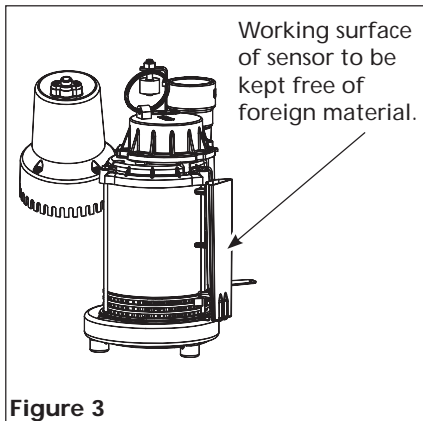


Figure 3

**Maintenance - Back-up Pump****⚠ DANGER**

*Always disconnect the power source before attempting to install, service, relocate or maintain the pump. Never touch sump pump, pump motor, water or discharge piping when pump is connected to electrical power. Never handle a pump or pump motor with wet hands or when standing on wet or damp surface or in water. Fatal electrical shock could occur.*



1. Once a month, check battery condition.
  2. Unplug the wall charger.
  3. For batteries with top caps that can be removed, the electrolyte level should be checked and filled to manufacturer's specifications. The charge for each cell should be checked with a hydrometer. A specific gravity of 1.265 indicates the battery is at full charge. If the specific gravity of any of the cells varies more than .050, the battery should be replaced.
- NOTE:** An inexpensive hydrometer can be purchased at an automotive parts dealer.
4. Inspect the terminals and clamps for corrosion and tightness. Clean and tighten as required.
  5. Unplug the main pump and fill sump with water until back up pump turns on. Repeat process two times to be sure pump is operating normally.
  6. If pump operates normally, plug charger into wall outlet, turn on main pump. If pump fails to operate normally, see Troubleshooting guide and correct problem. Repeat step 5.

## Troubleshooting Chart - Primary Pump

Symptom	Possible Cause(s)	Corrective Action
Pump will not start or run	<ol style="list-style-type: none"> <li>1. Blown fuse</li> <li>2. Low line voltage</li> <li>3. Defective motor</li> <li>4. Impeller</li> <li>5. Defective switch</li> </ol>	<ol style="list-style-type: none"> <li>1. If blown, replace with proper sized fuse or reset breaker</li> <li>2. If voltage is under 108 volts, check wiring size</li> <li>3. Replace pump</li> <li>4. If impeller will not turn, remove housing and remove blockage</li> <li>5. Check / replace switch</li> </ol>
Pump starts and stops too often	<ol style="list-style-type: none"> <li>1. Backflow of water from piping</li> <li>2. Incoming water is draining on sensor face</li> </ol>	<ol style="list-style-type: none"> <li>1. Install or replace check valve</li> <li>2. Position pump switch away from the inlet so switch is clear from incoming water (see Figure 1)</li> </ol>
Pump will not shut off or thermal protector turns off	<ol style="list-style-type: none"> <li>1. Obstacle in piping</li> <li>2. Low Line Voltage</li> <li>3. Too many appliances on circuit</li> <li>4. Dirty water sensor</li> <li>5. Incoming water is draining on sensor face</li> <li>6. Defective switch</li> </ol>	<ol style="list-style-type: none"> <li>1. Remove pump and clean pump and piping</li> <li>2. If voltage is under 108 volts, check wiring size</li> <li>3. Install pump on dedicated circuit. <b>IMPORTANT:</b> Do not use extension cord to power pump.</li> <li>4. Clean sensor face (see Figure 3)</li> <li>5. Position pump switch away from the inlet so switch is clear from incoming water (see Figure 1)</li> <li>6. Replace switch</li> </ol>
Pump operates but delivers little or no water	<ol style="list-style-type: none"> <li>1. Plugged impeller</li> <li>2. Check valve installed backwards</li> <li>3. Pump airlocked</li> <li>4. Low line voltage</li> </ol>	<ol style="list-style-type: none"> <li>1. Clean out impeller</li> <li>2. Reverse position of check valve</li> <li>3. Drill 1/8" hole in discharge line between pump and check valve</li> <li>4. If voltage is under 108 volts, check wiring size</li> </ol>
Gurgling sound from pump at end of cycle	<ol style="list-style-type: none"> <li>1. Air injected into pump</li> <li>2. Time required for pumping is less than 4 seconds</li> </ol>	<ol style="list-style-type: none"> <li>1. Wipe off surface of sensor (see Figure 3)</li> <li>2. Additional run time will not damage pump</li> </ol>

## Troubleshooting Chart - Back-up Pump

Symptom	Possible Cause(s)	Corrective Action
Pump will not run	<ol style="list-style-type: none"> <li>1. Connections not secure</li> <li>2. Low or defective battery</li> <li>3. Float switch stuck</li> <li>4. Defective or blown fuse</li> </ol>	<ol style="list-style-type: none"> <li>1. Check all connections</li> <li>2. Check battery and replace if low or defective</li> <li>3. Make sure nothing is interfering with the operation of the switch</li> <li>4. Check internal fuse located inside the control box. Pull the charger from the wall outlet and remove. If the fuse is blown, replace it with a 15 amp automotive type fuse</li> </ol>
Motor hums but pump won't run	<ol style="list-style-type: none"> <li>1. Defective battery</li> <li>2. Impeller is locked</li> </ol>	<ol style="list-style-type: none"> <li>1. Check battery and replace if low or defective</li> <li>2. Unplug pump and check to see if impeller is free to turn. If impeller is locked, remove the 4 screws on the bottom of the pump to release the housing around the impeller. Remove the obstruction. Reassemble pump and reconnect</li> </ol>
Pump runs but pumps very little or no water	<ol style="list-style-type: none"> <li>1. Check valve missing or improperly installed</li> <li>2. Obstruction in discharge pipe</li> <li>3. Pump not rotated 30°</li> <li>4. Pump air locked</li> <li>5. Discharge pipe length and / or height exceeds capacity of pump</li> <li>6. Low or defective battery</li> </ol>	<ol style="list-style-type: none"> <li>1. Check to make sure a check valve is installed and functioning between primary pump discharge and Standby Sump Pump tee fitting</li> <li>2. Check for obstruction and clear if necessary</li> <li>3. Check that pump is rotated 30° in tee fitting</li> <li>4. The impeller housing has a small hole on its side. This hole must be open for the pump to prime. With the pump unplugged, remove the 4 screws on the bottom of the pump to release the housing around the impeller. Clean out the hole and replace cover</li> <li>5. If discharge is too high, a separate line may be required with a lower discharge height</li> <li>6. Check battery and replace if low or defective</li> </ol>
Pump cycles too frequently	<ol style="list-style-type: none"> <li>1. Main check valve located between the discharge of the primary pump and the Back-up Sump Pump tee fitting or the Back-up Sump Pump flapper valve not installed or working properly</li> </ol>	<ol style="list-style-type: none"> <li>1. Install check valve or repair as required</li> </ol>

**For Replacement Parts, call 1-800-237-0987**

Please provide following information:

- Model number
- Serial number (if any)
- Part description and number as shown in parts list

Address parts correspondence to:

Wayne Water Systems  
 101 Production Drive  
 Harrison, OH 45030 U.S.A.

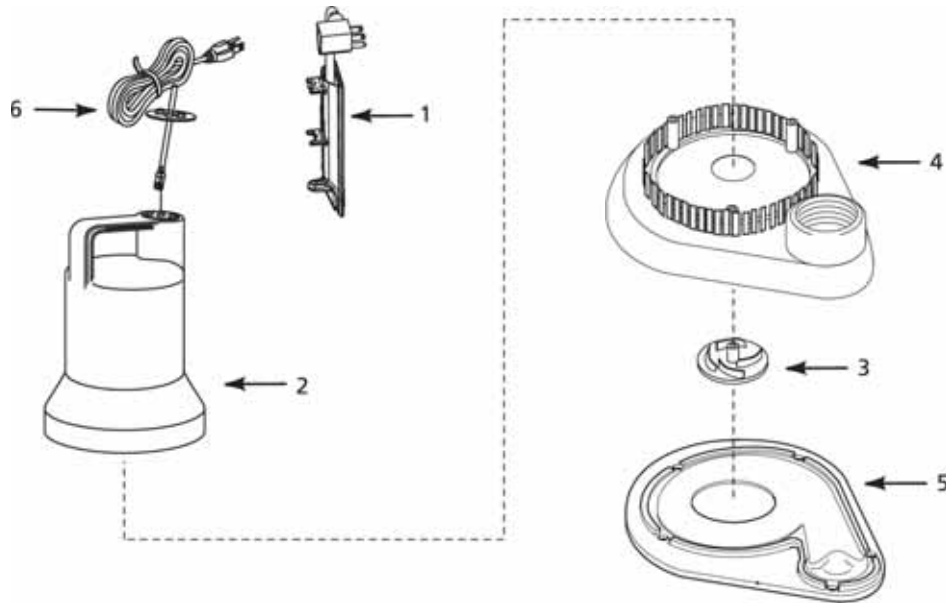


Figure 4 – Primary Pump, Model WSCAP30

**Repair Parts List**

Reference Number	Description	Part Number	Quantity
1	Switch Genius™ Water Sensor	30037-001	1
2	Motor Assy Kit	60047-001	1
3	Impeller Kit	66011-001	1
4	Volute	28416-001	1
5	Base	28418-001	1
6	Power Cord Kit	62003-001	1

## For Replacement Parts, call 1-800-237-0987

Please provide following information:

- Model number
- Serial number (if any)
- Part description and number as shown in parts list

Address parts correspondence to:

Wayne Water Systems  
 101 Production Drive  
 Harrison, OH 45030 U.S.A.

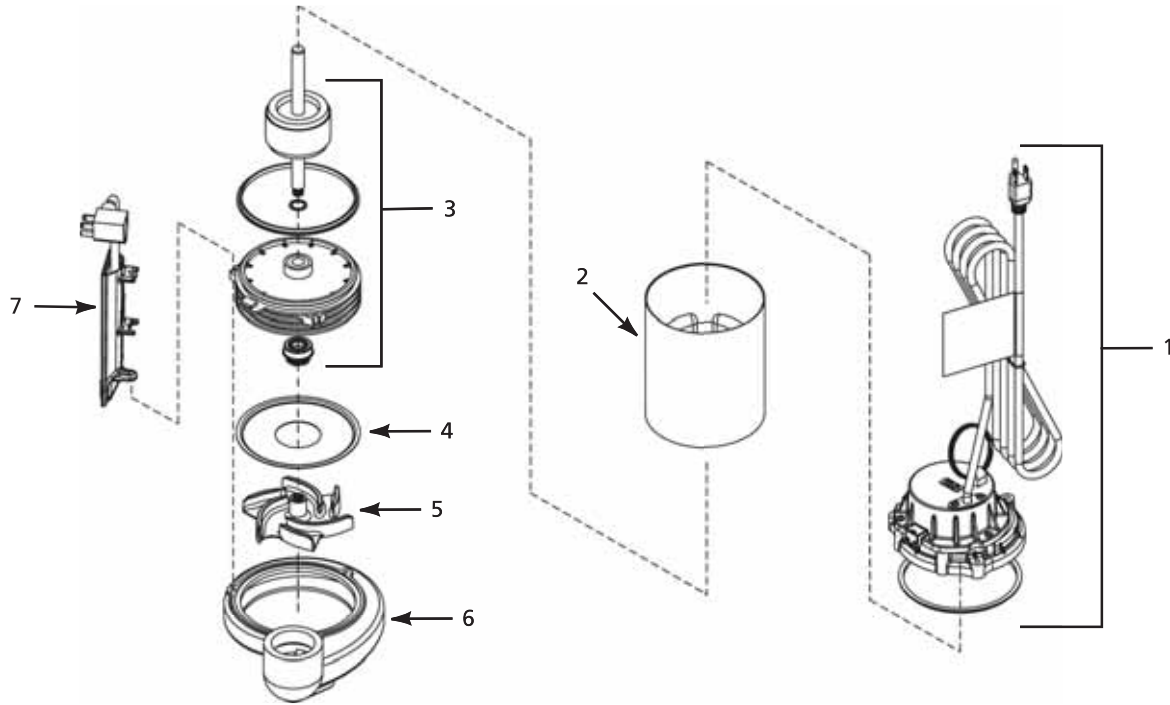


Figure 5 - Primary Pump, Model CDUCAP33

### Repair Parts List

Reference Number	Description	Part Number	Quantity
1	Top cover kit	60030-001	1
2	Stator	—	1
3	Lower bracket/rotor assembly	—	1
4	Impeller plate	15958	1
5	Impeller	60001-001	1
6	Volute	60039-001	1
7	Switch Genius™ Water Sensor	30037-001	1



## For Replacement Parts, call 1-800-237-0987

Please provide following information:

- Model number
- Serial number (if any)
- Part description and number as shown in parts list

Address parts correspondence to:

Wayne Water Systems  
101 Production Drive  
Harrison, OH 45030 U.S.A.

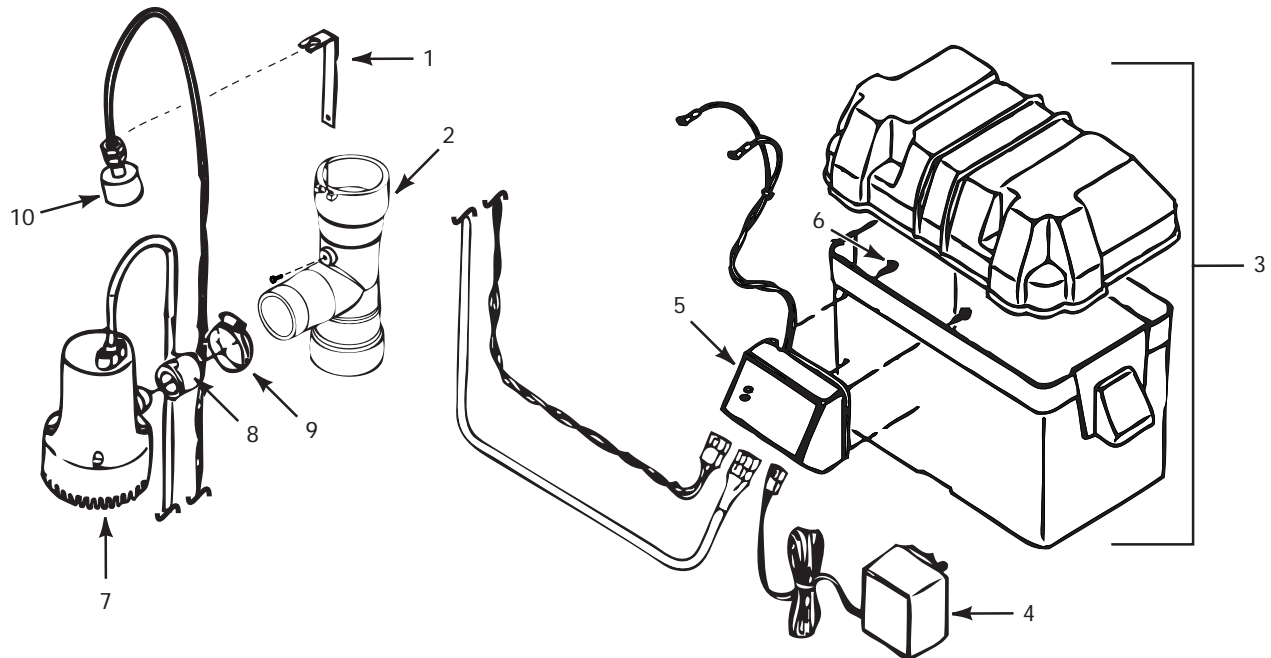


Figure 6 – Back-up Pump, Model ESP15

### Repair Parts List

Reference Number	Description	Part Number	Quantity
1	Bracket	46049-001	1
2	Tee fitting	17233-002	1
3	Battery box	23217-001	1
4	Charger	17220-004	1
5	Control box	30209-002	1
6	Screw control box	16119-002	4
7	Pump	17218-003	1
8	Flapper valve	17216-001	1
9	Clamp hose	16044-001	1
10	Float switch	30033-001	1





**LIMITED WARRANTY**

**System WSS10:** For two (2) years from the date of purchase, Wayne Water Systems ("Wayne") will repair or replace, at its option, for the original purchaser any part or parts of its Sump Pumps or Water Pumps ("Product") found upon examination by Wayne to be defective in materials or workmanship.

**System WSS20:** For five (5) years from the date of purchase, Wayne Water Systems ("Wayne") will repair or replace, at its option, for the original purchaser any part or parts of its Sump Pumps or Water Pumps ("Product") found upon examination by Wayne to be defective in materials or workmanship.

Please call Wayne (800-237-0987) for instructions or see your dealer. Be prepared to provide the model number and the serial number when exercising this warranty. All transportation charges on Products or parts submitted for repair or replacement must be paid by purchaser.

This Limited Warranty does not cover Products which have been damaged as a result of accident, abuse, misuse, neglect, improper installation, improper maintenance, or failure to operate in accordance with Wayne's written instructions.

**THERE IS NO OTHER EXPRESS WARRANTY. IMPLIED WARRANTIES, INCLUDING THOSE OF MERCHANTABILITY AND FITNESS FOR A PARTICULAR PURPOSE, ARE LIMITED TO TWO (2) YEARS FROM THE DATE OF PURCHASE ON THE SYSTEM WSS10 AND ARE LIMITED TO FIVE (5) YEARS FROM THE DATE OF PURCHASE ON THE SYSTEM WSS20. THIS IS THE EXCLUSIVE REMEDY AND ANY LIABILITY FOR ANY AND ALL INDIRECT OR CONSEQUENTIAL DAMAGES OR EXPENSES WHATSOEVER IS EXCLUDED.**

Some states do not allow limitations on how long an implied warranty lasts, or do not allow the exclusions or limitations of incidental or consequential damages, so the above limitations might not apply to you. This limited warranty gives you specific legal rights, and you may also have other legal rights which vary from state to state.

In no event, whether as a result of breach of contract warranty, tort (including negligence) or otherwise, shall Wayne or its suppliers be liable for any special, consequential, incidental or penal damages including, but not limited to loss of profit or revenues, loss of use of the products or any associated equipment, damage to associated equipment, cost of capital, cost of substitute products, facilities, services or replacement power, downtime costs, or claims of buyer's customers for such damages.

You **MUST** retain your purchase receipt along with this form. In the event you need to exercise a warranty claim, you **MUST** send a **COPY** of the purchase receipt along with the material or correspondence. Please call Wayne (800-237-0987) for return authorization and instructions.

**DO NOT MAIL THIS FORM TO WAYNE.** Use this form only to maintain your records.

**MODEL NO. (PRIMARY PUMP)** \_\_\_\_\_ **MODEL NO. (BACK-UP PUMP)** \_\_\_\_\_

**SERIAL NO. (PRIMARY PUMP)** \_\_\_\_\_ **SERIAL NO. (BACK-UP PUMP)** \_\_\_\_\_

**INSTALLATION DATE** \_\_\_\_\_

**ATTACH YOUR RECEIPT HERE**

Veillez lire et conserver ces instructions. Lire attentivement avant de commencer à assembler, installer, faire fonctionner ou entretenir l'appareil décrit. Protégez-vous et les autres en observant toutes les informations sur la sécurité. Négliger d'appliquer ces instructions peut résulter en des blessures corporelles et/ou en des dommages matériels ! Conserver ces instructions pour références ultérieures.

# WAYNE®

## Pompe de Puisard Immergée

### Description

Ce système de pompe immergée est conçu pour les applications d'assèchement de maison à l'intérieur. Le système comprend une pompe de puisard principale y une pompe de puisard de secours.

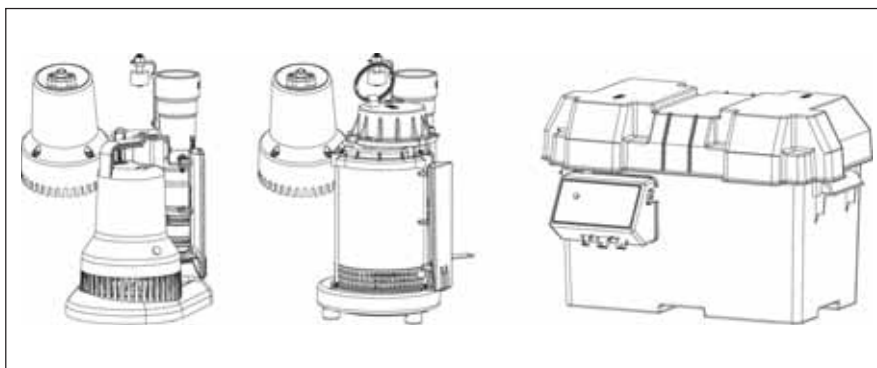
Le système principale fonctionne avec un courant résidentiel de 120 volts. Il est équipé avec un cordon électrique à 3 broches, type mis à terre. Le moteur est rempli d'huile et scellé pour un fonctionnement à plus basse température et pour le fonctionnement sous l'eau. La pompe principale est équipée avec la technologie Switch Genius™ pour le control de la pompe. La pompe se démarre automatiquement quand la présence d'eau est détectée.

La pompe de puisard de secours à batterie est incluse dans le cas que la pompe principale ne puisse pas travailler. La pompe de secours ne remplace pas la pompe principale. L'interrupteur à flotteur met en marche automatiquement la pompe de puisard de secours lorsque l'eau active l'interrupteur à flotteur. La batterie (non incluse) doit être installée pour que la pompe de secours puisse travailler.

Le Modèle WSS10 comprend une pompe principale WSCAP30 et une pompe de secours ESP15. Le Modèle WSS20 comprend une pompe principale CDUCAP33 et une pompe de secours ESP15.

### Déballage

Vérifiez cette unité avant de l'utilisation. Parfois, un produit peut être endommagé pendant le transport. Si la pompe ou d'autres pièces ont subi de dommages, renvoyez l'unité à la place d'achat pour son remplacement. Si vous ne faites pas ça, vous risquez des blessures graves ou la perte de vie.



### Spécifications

	<b>WSS10</b>	<b>WSS20</b>
Exigences d'alimentation de courant	120V, 60 hz	120V, 60 hz
Moteur	Monophasé, rempli d'huile	Monophasé, rempli d'huile
Plage de température liquide	4,4 à 48,9 °C (40 à 120 °F)	4,4 à 48,9 °C (40 à 120 °F)
Exigences du circuit	15 ampères (min)	15 ampères (min)
Dimensions	28 cm (11 po) de haut x 23 cm (9 po) de base	29 cm (11-1/2 po) de haut x 24,7 cm (9-3/4 po) de base
Niveau de coupe (réglé en usine)	20,3 cm (8 po)	20,3 cm (8 po)
Niveau de découpe (réglé en usine)	environ 7,6 cm (3 po)	environ 7,6 cm (3 po)

### Construction

	<b>WSS10</b>	<b>WSS20</b>
Boîtier de moteur	Thermoplastique renforcé de verre	Acier laminé à froid
Volute	Thermoplastique	Fonte
Impulseur	Thermoplastique renforcé de verre	Thermoplastique renforcé de verre
Arbre	Acier inoxydable	Acier à faible teneur en carbone
Garnitures	Buna N	Buna N
Décharge	6,3 mm (1-1/2 po) NPT	6,3 mm (1-1/2 po) NPT

**MÉMENTO : Gardez votre preuve datée d'achat à fin de la garantie !**  
**Joignez-la à ce manuel ou classez-la dans un dossier pour plus de sécurité.**

## Directives De Sécurité

Ce manuel contient de l'information très importante qui est fournie pour la SÉCURITÉ et pour ÉVITER LES PROBLÈMES D'ÉQUIPEMENT. Rechercher les symboles suivants pour cette information.

### ⚠ DANGER

*Danger indique*

*une situation hasardeuse imminente qui résultera en perte de vie ou blessures graves.*

### ⚠ AVERTISSEMENT

*Avertissement indique une situation hasardeuse potentielle qui PEUT résulter en perte de vie ou blessures graves.*

### ⚠ ATTENTION

*Attention indique*

*une situation hasardeuse potentielle qui PEUT résulter en blessures.*

### AVIS

*Avis indique*

*de l'information importante pour éviter le dommage de l'équipement.*

## Généralités Sur La Sécurité

### PROPOSITION 65 CALIFORNIE

### ⚠ AVERTISSEMENT

*Ce produit*

*ou son cordon peuvent contenir des produits chimiques qui, de l'avis de l'État de Californie, causent le cancer et des anomalies congénitales ou autres problèmes de reproduction. Lavez-vous les mains après la manipulation.*

### GÉNÉRALITÉS SUR LA SÉCURITÉ

### ⚠ DANGER

*Ne pas pomper les fluides explosifs tels que l'essence, l'huile à chauffage, le kérosène etc. Ne pas utiliser dans un atmosphère inflammable et/ou explosif. La pompe devrait être utilisée pour le pompage de l'eau claire seulement, sinon, il y a risque de blessures personnelles et/ou dégâts matériels.*



### ⚠ DANGER

*Toute*

*installation des fils doit être effectuée par un électricien qualifié. Manque de suivre cet avertissement peut résulter en secousse électrique mortelle.*

### ⚠ DANGER

*Ne pas marcher sur un plancher de sous-sol trempé ou humide avant de couper l'électricité. Si la boîte de branchement est dans le sous-sol, contacter un électricien. Enlever la pompe et la réparer ou remplacer. Manque de suivre cet avertissement peut résulter en secousse électrique mortelle.*



### ⚠ AVERTISSEMENT

*Ne pas exposer la pile à des étincelles ou des flammes. Une explosion ou un feu peut y résulter.*



### ⚠ AVERTISSEMENT

*L'acide de pile est corrosive. Ne pas le renverser sur la peau ni sur les vêtements. Porter de la protection oculaire lorsque vous manipulez la pile.*



### ⚠ AVERTISSEMENT

*Un interrupteur pour protéger contre un défaut de mise à la terre (DDFT) est exigé.*

### AVIS

*Cette pompe*

*est conçue pour le pompage de l'eau claire seulement. Cette pompe n'est pas conçue pour les substances qui contiennent les produits chimiques caustiques et/ou les matières étrangères tels que l'eau salée, la saumure, le décharge de buanderie. L'utilisation de ces produits pourra endommager la pompe et niera la garantie.*

## Exigences de la batterie de la pompe de secours

1. Utiliser seulement des nouvelles piles de 12 V complètement chargées à fonctions décharge profonde. Le niveau d'électrolyte doit être vérifié et entretenu selon les directives du fabricant.
2. La boîte de batterie accomode les batteries de tailles 24C, 24VCM, 27C, 27CM et 27F.
3. Le temps pour recharger les batteries varie avec chaque installation. Dans des conditions normales, la recharge complète des batteries de décharge profonde nécessitera entre deux et quatre jours après qu'elle soit déchargée. S'il y a manque d'électricité à la maison plus d'une fois par semaine, considérer garder une batterie complètement chargée pour remplacer une batterie épuisée dans la pompe de réserve.

## Installation

1. Installer le système dans un puisard de 28 cm ou plus grand. Construire la fosse de tuiles, béton, acier ou plastique. Placer l'interrupteur de la pompe principale LOIN de l'entrée d'eau de manière à ce que l'eau en entrée ne frappe pas la surface de l'interrupteur (voir Figure 1).
2. L'appareil doit être installé et reposer sur une base solide et à niveau. Ne pas placer la pompe directement sur de l'argile, de la terre, du gravier ou sur une surface sablonneuse. Ces surfaces contiennent de petites pierres, du gravier, du sable, etc. qui peuvent bloquer ou endommager la pompe menant à une défaillance de pompe possible.

**⚠ AVERTISSEMENT** *Risque d'inondation. Si l'on utilise un tuyau de décharge flexible, s'assurer que la pompe est bien fixée dans un puisard pour éviter tout déplacement. Ne pas fixer la pompe en place pourrait mener à son déplacement et à l'interférence de l'interrupteur et ainsi empêcher.*

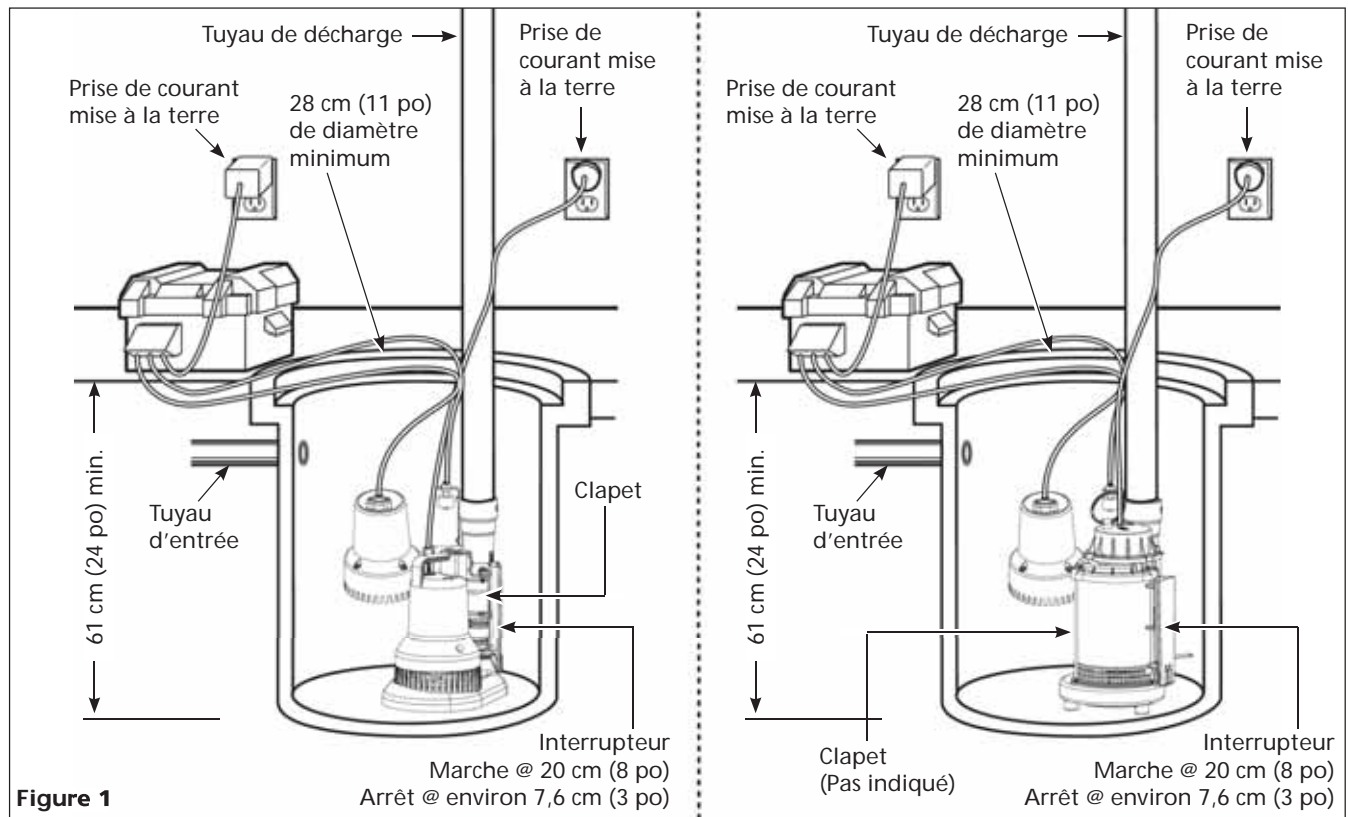
3. À l'aide de colle à PVC et d'apprêt, connecter le tuyau rigide de 32 ou 38 mm au raccord de décharge du système.

**⚠ AVERTISSEMENT** *Supporter la pompe et la tuyauterie en assemblant et après l'installation. Ne pas suivre ces directives pourrait mener à des bris de tuyaux, à la défaillance de la pompe etc. qui pourrait ensuite mener à des dommages à la propriété et/ou à des blessures.*

4. Placer la batterie dans la boîte. Brancher la câble rouge du panneau de commande de la boîte de la batterie à la borne positive de la batterie. Brancher le câble noir à la borne négative. Placer la couvercle sur la boîte de la batterie.

**⚠ ATTENTION** *Si les câbles sont renversés, le dommage à la boîte de contrôle ou à la pile peut résulter et niera la garantie.*

5. Placer la boîte de pile à moins de 1,83 m du puisard et d'une prise de courant de 115 Vc.a. (fusible séparé). La prise de courant doit être protégée d'un interrupteur qui protège contre un dérangement dû à une mise accidentelle à la terre (DDFT). L'endroit doit être propre, sec et bien aéré.
6. Brancher l'interrupteur flotteur, la pompe, et le chargeur dans la boîte de contrôle. (Connexions indiquées sur la boîte).
7. Protéger le cordon électrique des objets tranchants, des surfaces chaudes, de l'huile et des produits chimiques. Éviter le tortillement du cordon et remplacer immédiatement les cordons endommagés.
8. Il faut installer un couvercle de puisard pour éviter que les débris ne bloquent ou n'endommagent la pompe.



## Fonctionnement - Pompe Principale

### **⚠ DANGER**

*Toujours débrancher le cordon d'alimentation avant d'essayer d'installer, de réparer, de déplacer ou de faire l'entretien de la pompe. Ne jamais toucher la pompe de puisard, le moteur de pompe, la tuyauterie d'eau ou de décharge lorsque la pompe est branchée au courant. Ne jamais manipuler de pompe ou de moteur de pompe avec les mains humides ou debout dans l'eau ou sur une surface humide. On pourrait avoir un choc électrique mortel.*



1. Il faut installer un disjoncteur de fuite à la terre (Voir la Figure 2).

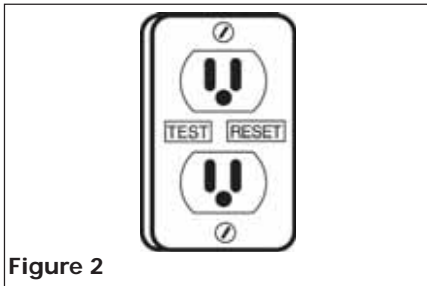


Figure 2

### **⚠ AVERTISSEMENT**

*Risque de choc électrique ! Cette pompe est fournie avec un conducteur de terre et une fiche de masse. Utiliser une prise à la terre pour réduire le risque de choc électrique mortel. Ne jamais couper la broche de terre ronde. Couper le cordon ou la fiche annulera la garantie et rendra la pompe inutilisable.*



2. La pompe principale a été conçue pour l'utilisation avec le service 120 V (monophasé), 60 Hz, 15 A seulement et est équipée d'un cordon à 3 conducteurs et d'une fiche type mise à la terre à 3 broches. Brancher la fiche du cordon de l'interrupteur directement dans une prise de 120 V.
3. Introduire la fiche du cordon d'alimentation de la pompe directement dans le dos de la prise du cordon du détecteur d'eau.
4. Remplir le puisard d'eau. La pompe se mettra en marche automatiquement lorsque l'eau est à environ 3,8 cm (1,5 po) du dessus de l'interrupteur. La pompe reprendra son cycle ensuite au besoin.

- La pompe de puisard fonctionnera pendant au moins 4 secondes à un maximum de 16 secondes avant de s'arrêter.
  - Le temps de fonctionnement de la pompe de puisard sera déterminé par la taille du puisard et le rythme d'écoulement d'eau dans le puisard.
  - Pendant les inondations, la pompe s'arrêtera pendant 1 seconde, toutes les 16 secondes et se remettra en marche automatiquement.
5. Ne pas faire fonctionner la pompe à moins qu'elle ne soit submergée dans l'eau. Tourner à sec mène à une défaillance de pompe.
  6. Ce moteur est doté d'un protecteur thermique à réinitialisation automatique.
  7. Tandis que la pompe draine le puisard, vérifier que le tuyau de décharge transporte l'eau vers un point à plusieurs pieds ou mètres de distance de la fondation.
  8. Si la conduite de décharge est exposée au gel, il faut incliner la conduite exposée pour la drainer. L'eau emprisonnée gèlera et endommagera la pompe.

## Fonctionnement - Pompe de Secours

### **⚠ DANGER**

*Toujours débrancher le cordon d'alimentation avant d'essayer d'installer, de réparer, de déplacer ou de faire l'entretien de la pompe. Ne jamais toucher la pompe de puisard, le moteur de pompe, la tuyauterie d'eau ou de décharge lorsque la pompe est branchée au courant. Ne jamais manipuler de pompe ou de moteur de pompe avec les mains humides ou debout dans l'eau ou sur une surface humide. On pourrait avoir un choc électrique mortel.*



### **⚠ AVERTISSEMENT**

*Risque de choc électrique ! Cette pompe est fournie avec un conducteur de terre et une fiche de masse. Utiliser une prise à la terre pour réduire le risque de choc électrique mortel. Ne jamais couper la broche de terre ronde. Couper le cordon ou la fiche annulera la garantie et rendra la pompe inutilisable.*



1. Tester le fonctionnement de la pompe de secours en remplissant d'eau le puisard au même temps que la pompe principale est débranchée. Si la pompe de secours travaille correctement, brancher le chargeur dans la prise de courant protégée par un disjoncteur de fuite à la terre (GFCI) pour commencer à charger la batterie.
  2. Suite à l'installation, la pompe de réserve se démarrera lorsque le niveau d'eau dépasse la profondeur de démarrage de la pompe principale.
  3. La boîte de contrôle a un chargeur à impulsions conçu pour raccourcir le temps nécessaire pour charger la batterie, et pour éviter de la surcharger. Aussi, la boîte de contrôle a un retardateur qui empêche les cycles courts répétés lorsqu'il s'arrête. Cette fonction de surcharge permet à la pompe de fonctionner 20 à 25 secondes après que l'interrupteur atteint la position d'arrêt.
  4. La boîte de contrôle a une lampe indicatrice multicolore. Quand le courant c.a. est présent, la lampe indique l'état de charge, mais pas la tension de batterie actuelle, particulièrement avec une batterie défectueuse. Suivre les étapes "a" à "d" pour une indication précise.
    - a. Débrancher la pompe principale c.a. et le chargeur - une tonalité d'avertissement sonnera pendant 30 secondes.
    - b. Soulever et lâcher l'interrupteur flotteur pour actionner la pompe de réserve.
    - c. Quand la pompe s'arrête, vérifier la lampe d'essai:
      - Vert:** Batterie chargée.
      - Jaune:** Tension est basse, batterie partiellement chargée.
      - Rouge:** Batterie complètement déchargée ou défectueuse.
    - d. Brancher le chargeur et la pompe principale c.a.
- Si l'alimentation c.a. est coupée et la pompe fonctionne, la lampe indicatrice indiquera l'état de la batterie.



## Operation - Pompe de Secours (Suite)

- Un son de pépiement de la boîte de contrôle accompagnera la lampe rouge ce qui indique une batterie qui requiert l'attention ou le remplacement. La tension est le seul indicateur de la condition de la batterie pourrait indiquer une condition fautive. Se référer à la section Entretien pour les instructions pour évaluer la condition de la batterie.
- Une tonalité de trente secondes sonnera lorsque l'alimentation au système soit interrompue. Le modèle se rajustera automatiquement quand l'alimentation soit rétabli. Une tonalité de trois secondes sonnera chaque fois que la pompe se démarre.

## Entretien - Pompe Principale

### **⚠ DANGER**

*Toujours débrancher le cordon d'alimentation avant d'essayer d'installer, de réparer, de déplacer ou de faire l'entretien de la pompe. Ne jamais toucher la pompe de puisard, le moteur de pompe, la tuyauterie d'eau ou de décharge lorsque la pompe est branchée au courant. Ne jamais manipuler de pompe ou de moteur de pompe avec les mains humides ou debout dans l'eau ou sur une surface humide. On pourrait avoir un choc électrique mortel.*



- Laisser la pompe refroidir pendant au moins deux heures avant tout entretien ou réparation parce que la pompe contient de l'huile chaude sous pression et le moteur est chaud.
- Démonter le moteur avant l'expiration de la garantie annulera la garantie. S'il faut des réparations, consulter le tableau de dépannage.

- L'entrée doit rester propre et libre de tous objets étrangers et être inspectée chaque année. Une entrée bloquée endommagera la pompe.
- La pompe doit être vérifiée chaque mois pour assurer son bon fonctionnement. La pompe se vérifie pour assurer son bon fonctionnement en retirant brièvement le cordon de la pompe de l'arrière de la fiche du capteur d'eau et en l'insérant directement dans la prise mise à la terre. Dans cet état, la pompe fonctionnera continuellement. Lorsque le fonctionnement de la pompe est vérifié, replacer le cordon de la pompe à l'arrière de la fiche du capteur d'eau.
- Essuyer régulièrement la surface du capteur d'eau pour éviter que de la vase ou autres revêtements s'accumulent sur le capteur (Voir la Figure 3).

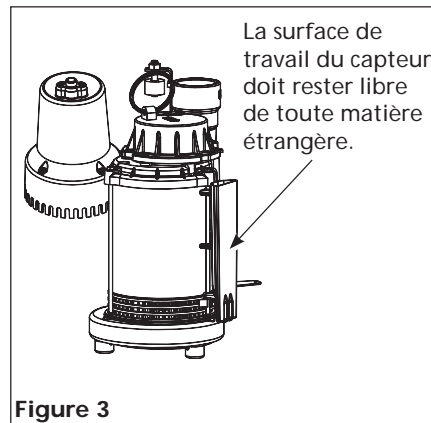


Figure 3

## Entretien - Pompe de Secours

### **⚠ DANGER**

*Toujours débrancher le cordon d'alimentation avant d'essayer d'installer, de réparer, de déplacer ou de faire l'entretien de la pompe. Ne jamais toucher la pompe de puisard, le moteur de pompe, la tuyauterie d'eau ou de décharge lorsque la pompe est branchée au courant. Ne jamais manipuler de pompe ou de moteur de pompe avec les mains humides ou debout dans l'eau ou sur une surface humide. On pourrait avoir un choc électrique mortel.*



- Vérifier la condition de la batterie chaque mois.
- Débrancher le chargeur du mur.
- Vérifier le niveau d'électrolyte et remplir d'après les recommandations du fabricant des batteries dont le bouchon supérieur s'enlève. Vérifier la charge de chaque cellule avec un hydromètre. Une densité spécifique de 1.265 indiquerait que la batterie est complètement chargée. Si la densité spécifique de n'importe quelle cellule varie de plus de .050, remplacer la batterie.
 

**REMARQUE:** Un hydromètre peu coûteux est disponible chez votre marchand de pièces d'automobile.
- Inspecter les bornes et les colliers pour la corrosion et le serrage. Nettoyer et serrer au besoin.
- Débrancher la pompe principale et remplir le puisard d'eau jusqu'à ce que la pompe de sauvegarde se met en marche. Répéter le procédé deux fois pour s'assurer que la pompe fonctionne normalement.
- Si la pompe fonctionne normalement, brancher le chargeur dans la prise du mur, mettre la pompe principale en marche. Si la pompe ne fonctionne pas normalement, voir le guide de dépannage et corriger le problème. Répéter l'étape 5.

## Guide De Dépannage - Pompe Principale

Symptôme	Cause(s) possible(s)	Action corrective
Pompe ne démarre pas ou ne fonctionne pas	<ol style="list-style-type: none"> <li>1. Fusible grillé</li> <li>2. Basse tension</li> <li>3. Moteur défectueux</li> <li>4. Impulseur</li> <li>5. Interrupteur défectueux</li> </ol>	<ol style="list-style-type: none"> <li>1. Si grillé, remplacer avec un fusible de bonne taille ou réinitialiser le disjoncteur</li> <li>2. Si la tension est inférieure à 108 volts, vérifier la taille du câblage</li> <li>3. Remplacer la pompe</li> <li>4. Si l'impulseur ne tourne pas, retirer le boîtier et retirer le blocage</li> <li>5. Tester/remplacer l'interrupteur</li> </ol>
Pompe démarre et s'arrête trop souvent	<ol style="list-style-type: none"> <li>1. Retour d'eau de tuyauterie</li> <li>2. Entrée d'eau draine sur la face du capteur</li> </ol>	<ol style="list-style-type: none"> <li>1. Installer ou remplacer le clapet.</li> <li>2. Placer l'interrupteur de la pompe loin de l'entrée d'eau de manière à ce que l'interrupteur est libre de l'eau en entrée (voir Figure 1)</li> </ol>
Pompe ne s'arrête pas ou le protecteur thermique s'éteint	<ol style="list-style-type: none"> <li>1. Obstacle dans la tuyauterie</li> <li>2. Basse tension</li> <li>3. Trop d'appareils sur le circuit</li> <li>4. Capteur d'eau sale</li> <li>5. Entrée d'eau draine sur la face du capteur</li> <li>6. Interrupteur défectueux</li> </ol>	<ol style="list-style-type: none"> <li>1. Retirer la pompe et la nettoyer ainsi que la tuyauterie.</li> <li>2. Si la tension est inférieure à 108 volts, vérifier la taille du câblage</li> <li>3. Installer la pompe sur un circuit réservé. <b>IMPORTANT:</b> Ne pas utiliser de rallonges pour alimenter la pompe.</li> <li>4. Nettoyer la face du capteur (voir la figure 3)</li> <li>5. Placer l'interrupteur de la pompe loin de l'entrée d'eau de manière à ce que l'interrupteur est libre de l'eau en entrée (voir Figure 1)</li> <li>6. Remplacer l'interrupteur</li> </ol>
Pompe fonctionne mais livre peu ou aucune eau	<ol style="list-style-type: none"> <li>1. Impulseur bloqué</li> <li>2. Clapet installé à l'envers</li> <li>3. Poche d'air dans la pompe</li> <li>4. Basse tension</li> </ol>	<ol style="list-style-type: none"> <li>1. Nettoyer l'impulseur</li> <li>2. Inverser la position du clapet.</li> <li>3. Percer un trou de 3,1 mm (1/8 po) dans la conduite de décharge entre la pompe et le clapet</li> <li>4. Si la tension est inférieure à 108 volts, vérifier la taille du câblage</li> </ol>
Son de gargouillis de la pompe à la fin du cycle	<ol style="list-style-type: none"> <li>1. Air injecté dans la pompe</li> <li>2. Le temps requis pour pomper est de moins de 4 secondes</li> </ol>	<ol style="list-style-type: none"> <li>1. Essuyer la surface du capteur (voir figure 3)</li> <li>2. Un temps de fonctionnement supplémentaire n'endommagera pas la pompe</li> </ol>

## Guide De Dépannage - Pompe de Secours

Symptôme	Cause(s) possible(s)	Action corrective
Pompe ne fonctionne pas	<ol style="list-style-type: none"> <li>1. Raccords ne sont pas sûrs</li> <li>2. Batterie faible ou défectueuse</li> <li>3. Interrupteur à flotteur coincé</li> <li>4. Fusible défectueux ou sauté</li> </ol>	<ol style="list-style-type: none"> <li>1. Vérifier tous les raccords</li> <li>2. Vérifier la batterie et la remplacer si faible ou défectueuse</li> <li>3. S'assurer que rien n'entrave le fonctionnement de l'interrupteur</li> <li>4. Vérifier le fusible interne dans la boîte de contrôle. Débrancher le chargeur de la prise du mur et l'enlever. Si le fusible est sauté, le remplacer avec un fusible d'automobile de 15 A</li> </ol>
Moteur ronron mais la pompe ne fonctionne pas	<ol style="list-style-type: none"> <li>1. Batterie défectueuse</li> <li>2. Turbine coincée</li> </ol>	<ol style="list-style-type: none"> <li>1. Vérifier la batterie et la remplacer si faible ou défectueuse</li> <li>2. Débrancher la pompe et vérifier si la turbine tourne librement. Si la turbine est bloquée, enlever les 4 vis sur le fond de la pompe pour lâcher le carter autour de la turbine. Enlever l'obstruction. Remonter la pompe et brancher à nouveau</li> </ol>
La pompe fonctionne mais refoule peu ou pas d'eau	<ol style="list-style-type: none"> <li>1. Clapet manquant ou mal-installé</li> <li>2. Engorgement dans le tuyau de décharge</li> <li>3. Pompe pas tournée à 30°</li> <li>4. Pompe bloquée à l'air</li> <li>5. Longueur et/ou hauteur du tuyau de décharge dépasse la capacité de la pompe</li> <li>6. Batterie faible ou défectueuse</li> </ol>	<ol style="list-style-type: none"> <li>1. S'assurer que le clapet soit installé et fonctionne entre le décharge de la pompe principale et le raccord en T de la Pompe De Puisard De Réserve.</li> <li>2. Vérifier pour un engorgement et l'enlever si nécessaire</li> <li>3. Vérifier que la pompe soit tournée 30° dans le raccord en T tel qu'indiquée sur la Figure 3</li> <li>4. Le carter de turbine a un petit trou sur le côté. Le trou doit être ouvert pour amorcer la pompe. Avec la pompe débranchée, enlever les 4 vis sur le fond de la pompe afin de lâcher le carter autour de la turbine. Nettoyer le trou et remplacer le couvercle</li> <li>5. Si le décharge est trop haut, une ligne séparée avec une hauteur de décharge plus basse peut être nécessaire</li> <li>6. Vérifier la batterie et la remplacer si faible ou défectueuse</li> </ol>
Pompe cycle à maintes reprises	<ol style="list-style-type: none"> <li>1. Clapet principal entre le décharge de la pompe principale et le raccord en T de la Pompe De Puisard De Réserve ou la soupape à clapet de la Pompe De Puisard De Réserve mal-installé ou en panne</li> </ol>	<ol style="list-style-type: none"> <li>1. Installer un clapet ou réparer au besoin</li> </ol>

## Pour des pièces de rechange, composer 1-800-237-0987

S'il vous plaît fournir l'information suivante :

- Numéro de modèle
- Numéro de série (si applicable)
- Description et numéro de pièce d'après la liste de pièces

Correspondance :

Wayne Water Systems  
101 Production Drive  
Harrison, OH 45030 U.S.A.

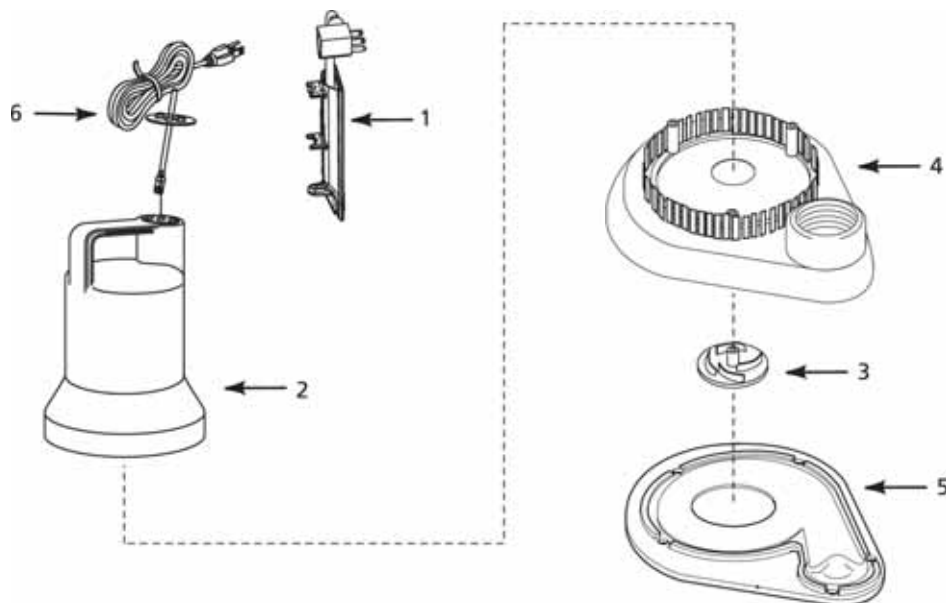


Figure 4 – Pompe Principale, Modèle WSCAP30

### Liste de Pièces Détachées

Numéro de Référence	Description	Numéro de pièce	Quantité
1	Capteur d'eau Switch Genius™	30037-001	1
2	Kit d'assemblage du moteur	60047-001	1
3	Nécessaire de turbine	66011-001	1
4	Volute	28416-001	1
5	Base	28418-001	1
6	Jeu de cordon d'alimentation	62003-001	1

## Pour des pièces de rechange, composer 1-800-237-0987

S'il vous plaît fournir l'information suivante :

- Numéro de modèle
- Numéro de série (si applicable)
- Description et numéro de pièce d'après la liste de pièces

Correspondance :

Wayne Water Systems  
101 Production Drive  
Harrison, OH 45030 U.S.A.

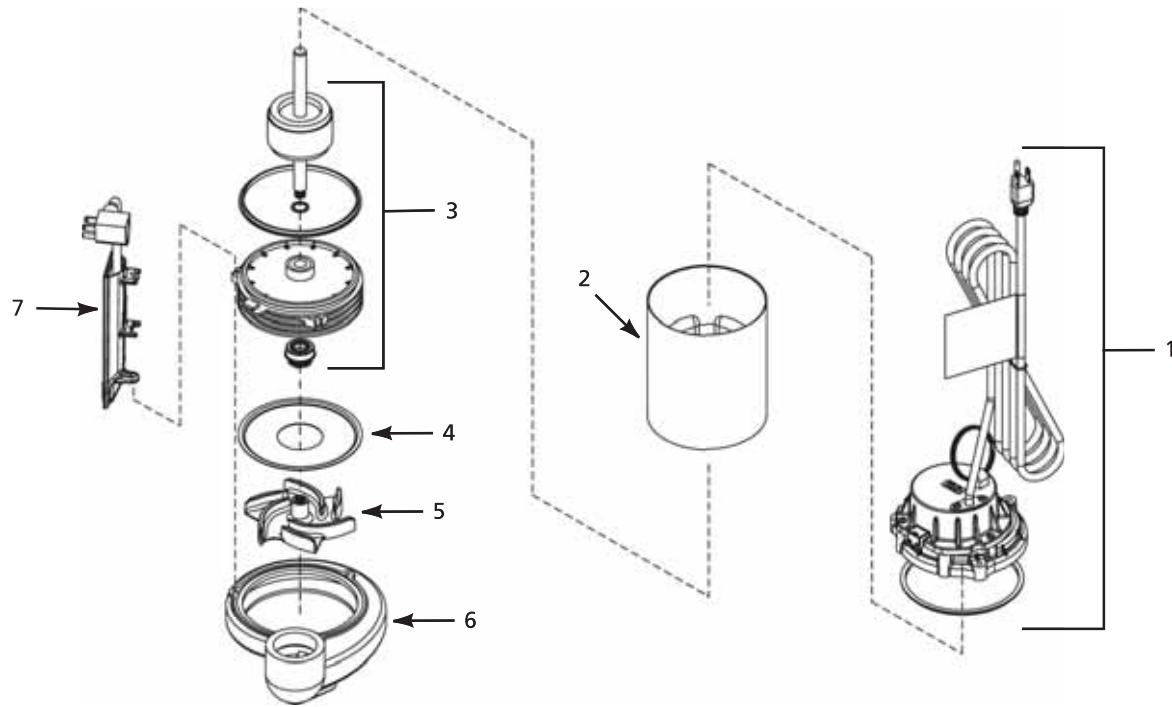


Figure 5 - Pompe Principale, Modèle CDUCAP33

### Liste de Pièces Détachées

Numéro de Référence	Description	Numéro de pièce	Quantité
1	Nécessaire de couvercle supérieur	60030-001	1
2	Stator	—	1
3	Support inférieur / Assem. de Rotor	—	1
4	Plaque de turbine	15958	1
5	Turbine	60001-001	1
6	Volute	60039-001	1
7	Capteur d'eau Switch Genius™	30037-001	1

## Pour des pièces de rechange, composer 1-800-237-0987

S'il vous plaît fournir l'information suivante :

- Numéro de modèle
- Numéro de série (si applicable)
- Description et numéro de pièce d'après la liste de pièces

Correspondance :

Wayne Water Systems  
101 Production Drive  
Harrison, OH 45030 U.S.A.

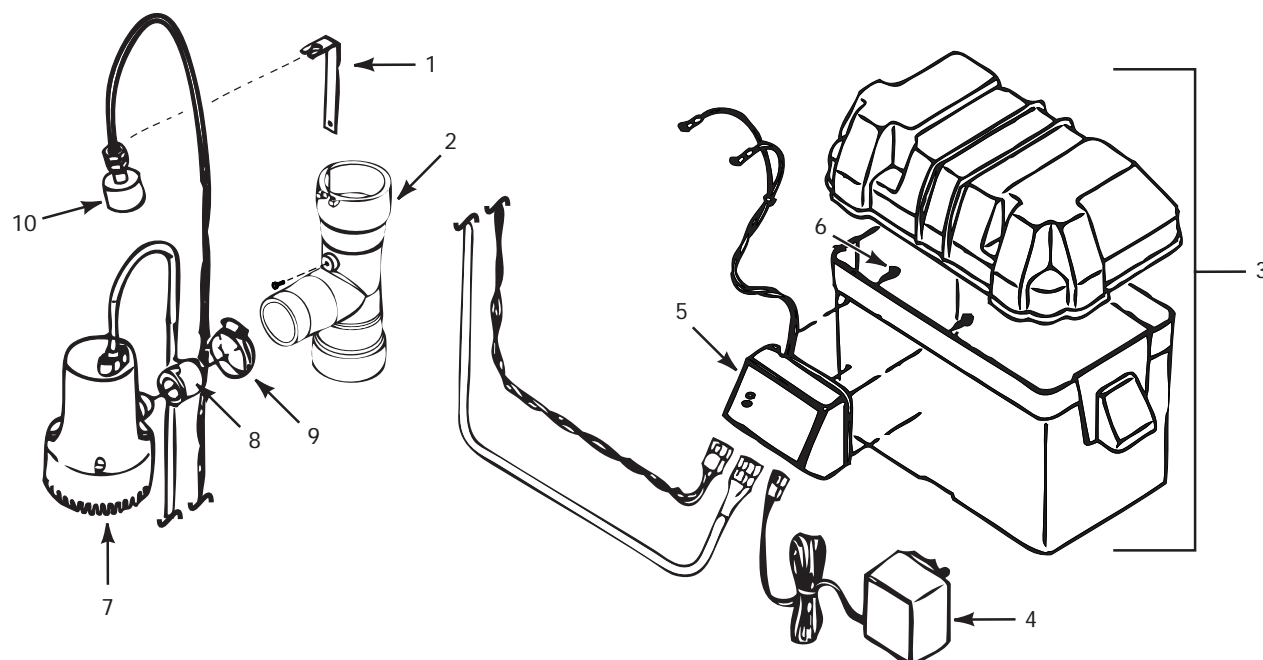


Figure 6 – Pompe de Secours, Modèle ESP15

### Liste de Pièces Détachées

Numéro de Référence	Description	Numéro de pièce	Quantité
1	Sangle	46049-001	1
2	Raccord en T	17233-002	1
3	Sangle pour batterie	23217-001	1
4	Chargeur	17220-004	1
5	Boîte de contrôle	30209-002	1
6	Vis - boîte de contrôle	16119-002	4
7	Pompe	17218-003	1
8	Soupape à clapet	17216-001	1
9	Collier - tuyau	16044-001	1
10	Interrupteur flotteur	30033-001	1





**GARANTIE LIMITÉE**

**Système WSS10** : Pendant deux (2) ans à compter de la date d'achat, Wayne Water Systems va réparer ou remplacer, à sa discrétion, pour l'acheteur original n'importe quelle pièce ou pièces de ces Pompes de Puisard ou Pompes à eau (« Produit ») déterminées défectueuses, par Wayne Water Systems, en termes de matériaux ou de fabrication.

**Système WSS20** : Pendant cinq (5) ans à compter de la date d'achat, Wayne Water Systems va réparer ou remplacer, à sa discrétion, pour l'acheteur original n'importe quelle pièce ou pièces de ces Pompes de Puisard ou Pompes à eau (« Produit ») déterminées défectueuses, par Wayne Water Systems, en termes de matériaux ou de fabrication.

S'il vous plaît appeler Wayne Water Systems (1-800-237-0987) pour des instructions ou contacter votre marchand.

S'assurer d'avoir, à votre disposition, le numéro du modèle afin d'effectuer cette garantie. Les frais de transportation des Produits ou pièces soumis pour la réparation ou le remplacement sont la responsabilité de l'acheteur.

Cette Garantie Limitée ne couvre pas les Produits qui se sont fait endommagés en résultat d'un accident, utilisation abusive, mauvais usage, négligence, l'installation incorrecte, entretien incorrect, ou manque d'utilisation conformément aux instructions écrit de Wayne Water Systems.

**IL N'Y A AUCUNE AUTRE GARANTIE EXPRESSE. LES GARANTIES IMPLICITES, Y COMPRIS CELLES DE COMMERCIALISATION OU CONVENABLE À UN USAGE PARTICULIER, SONT LIMITÉES À DEUX (2) ANS À COMPTER DE LA DATE D'ACHAT POUR LE SYSTÈME WSS10 ET SONT LIMITÉES À CINQ (5) ANS DE LA DATE D'ACHAT POUR LE SYSTÈME WSS20. CECI EST LA REMÈDE EXCLUSIVE ET N'IMPORTE QUELLE RESPONSABILITÉ POUR N'IMPORTE QUEL ET TOUT DOMMAGES INDIRECTS OU DÉPENSES QUOI QUE SE SOIT EST EXCLUS.**

Certaines Provinces n'autorisent pas de limitations de durée pour les garanties implicites, ni l'exclusion ni la limitation des dommages fortuits ou indirects. Les limitations précédentes peuvent donc ne pas s'appliquer. Cette garantie limitée donne, à l'acheteur, des droits légaux précis, et vous pouvez avoir autres droits légaux qui sont variable d'une Province ou d'un État à l'autre.

En aucun cas, soit par suite d'un rupture de contrat de garantie, acte dommageable (y compris la négligence) ou autrement, ni Wayne Water Systems ou ses fournisseurs seront responsables pour aucune dommage spéciale, incidentel ou pénal, y compris, mais pas limité à la perte de profits ou recettes, la perte d'usage des produits ou n'importe quel équipement associé, dommage à l'équipement associé, coût de capital, coût de produits remplaçants, aménagements, services ou abilité de remplacement, coût de temps que le produit n'est pas en service, ou la réclamation des clients de l'acheteur pour ces dommages.

Vous **DEVEZ** garder votre recette d'achat avec ce bulletin. Il est **NÉCESSAIRE** d'envoyer une **COPIE** de la recette d'achat avec le matériel ou correspondance afin d'effectuer une réclamation de la garantie. S'il vous plaît appeler Wayne Water Systems (1-800-237-0987) pour l'autorisation et instructions concernant le renvoi.

**NE PAS ENVOYER, PAR LA POSTE, CE BULLETIN À WAYNE WATER SYSTEMS.** Utiliser ce bulletin seulement pour vos archives.

N° DU MODÈLE (POMPE PRINCIPALE) \_\_\_\_\_

N° DU MODÈLE (POMPE DE SECOURS) \_\_\_\_\_

N° DE SÉRIE (POMPE PRINCIPALE) \_\_\_\_\_

N° DE SÉRIE (POMPE DE SECOURS) \_\_\_\_\_

DATE D'INSTALLATION \_\_\_\_\_

FIXER VOTRE FACTURE ICI



Por favor lea y guarde estas instrucciones. Léalas cuidadosamente antes de tratar de montar, instalar, operar o dar mantenimiento al producto aquí descrito. Protéjase usted mismo y a los demás observando toda la información de seguridad. ¡El no cumplir con las instrucciones puede ocasionar daños, tanto personales como a la propiedad! Guarde estas instrucciones para referencia en el futuro.



# Sistema de Bomba Sumergible

## Descripción

Este sistema de bomba sumergible está diseñado para aplicaciones de sumidero domésticas al interior. El sistema consiste en una bomba de sumidero primaria y una bomba de sumidero de respaldo.

El sistema primario trabaja con el circuito eléctrico doméstico de 120 voltios. Está equipado con un cordón eléctrico con enchufe de 3 clavijas y conexión a tierra. El motor se entrega lleno de aceite y sellado permitiendo un funcionamiento a menor temperatura y está diseñado para trabajar debajo del agua.

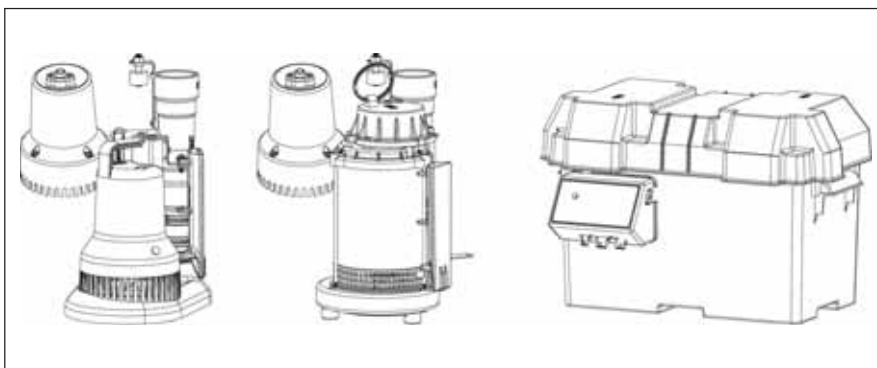
La bomba primaria trae la tecnología Switch Genius™ para el control de la bomba. La bomba se enciende automáticamente cuando se detecta la presencia de agua.

La bomba de sumidero de respaldo funciona con batería y se incluye en caso de que la bomba primaria no pueda funcionar. No sustituye la bomba primaria. El interruptor de flotador enciende automáticamente la bomba de sumidero de respaldo cuando el agua activa el flotador. La batería (no incluida) debe ser instalada para que la bomba de sumidero de respaldo pueda funcionar.

El Modelo WSS10 consiste de una bomba primaria WSCAP30 y una bomba de respaldo ESP15. El Modelo WSS20 consiste de una bomba primaria CDUCAP33 y una bomba de respaldo ESP15.

## Desempacar

Revise esta unidad antes de usarla. A veces, el producto puede sufrir daños durante el transporte. Si la bomba u otras piezas se han dañado, devuelva la unidad al lugar donde ha sido comprada para que la sustituyan. De no hacer eso, se pueden producir serios daños o la muerte.



## Especificaciones

	<b>WSS10</b>	<b>WSS20</b>
Requisitos de suministro de energía	120V, 60 hz	120V, 60 hz
Motor	Monofásico, lleno de aceite	Monofásico, lleno de aceite
Rango de temp. del líquido	4,4 a 48,9 °C (40 a 120 °F)	4,4 a 48,9 °C (40 a 120 °F)
Requisitos del circuito	15 A (mín)	15 A (mín)
Dimensiones	28 cm (11 po) de haut x 23 cm (9 po) de base	29 cm (11-1/2 po) de haut x 24,7 cm (9-3/4 po) de base
Nivel de activación (ajuste de fábrica)	20,3 cm (8 inches)	20,3 cm (8 inches)
Nivel de corte (ajuste de fábrica)	7,6 cm (3 inches) aproximadamente	7,6 cm (3 inches) aproximadamente

## Construcción

	<b>WSS10</b>	<b>WSS20</b>
Caja del motor	Termoplástico reforzado con vidrio	Acero laminado
Voluta	Termoplástico	Hierro fundido
Impulsor	Termoplástico reforzado con vidrio	Termoplástico reforzado con vidrio
Eje	Acero inoxidable	Acero bajo en carbono
Sellos	Buna N	Buna N
Descarga	1-1/2 inches (3,8 cm) NPT	1-1/2 inches (3,8 cm) NPT

**RECORDATORIO: ¡Guarde su comprobante de compra con fecha para fines de la garantía!  
Adjúntela a este manual o archívela en lugar seguro.**

## Medidas de Seguridad

Este manual contiene información que es muy importante que sepa y comprenda. Esta información se la suministramos como medida de SEGURIDAD y para EVITAR PROBLEMAS CON EL EQUIPO. Debe reconocer los siguientes símbolos.

### ⚠ PELIGRO

Esto le indica

que hay una situación inmediata que le ocasionaría la muerte o heridas de gravedad.

### ⚠ ADVERTENCIA

Esto le indica

que hay una situación que podría ocasionarle la muerte o heridas de gravedad.

### ⚠ PRECAUCION

Esto le indica

que hay una situación que podría ocasionarle heridas no muy graves.

### AVISO

Esto le indica

una información importante, que de no seguirla, le podría ocasionar daños al equipo.

## Informaciones Generales de Seguridad

### PROPOSICIÓN DE CALIFORNIA 65

### ⚠ ADVERTENCIA

Este producto,

o su cordón eléctrico, puede contener productos químicos conocidos por el estado de California como causantes de cáncer y defectos de nacimiento u otros daños reproductivos. Lave sus manos después de usar.

### GENERALES DE SEGURIDAD

### ⚠ PELIGRO



Nunca use esta bomba para bombear líquidos inflamables o explosivos tales como gasolina, combustibles, kerosene, etc. No la use donde haya peligro de explosión. Úsela sólo para drenar agua. Si no sigue estas recomendaciones podría ocasionarle heridas o daños a su propiedad.

### ⚠ PELIGRO

Todos los trabajos

de electricidad los debe hacer un electricista calificado. Si no sigue estas advertencias podría electrocutarse.

### ⚠ PELIGRO



Si el piso del sótano no está húmedo o inundado, no entre hasta que haya desconectado la electricidad. Si la caja de fusibles está en el sótano, llame a un electricista. Desconecte la bomba y repárela o reemplácela. Si no sigue estas advertencias podría electrocutarse.

### ⚠ ADVERTENCIA



No exponga la batería al contacto de chispas o llamas ya que podría provocar una explosión o un incendio.

### ⚠ ADVERTENCIA



El ácido de la batería es corrosivo. Evite derramarlo sobre la piel o ropa. Al manipular la batería, debe protegerse los ojos.

### ⚠ ADVERTENCIA

Se requiere

un interruptor con dispositivo para desconexión automática en caso de fallas.

### AVISO

Esta bomba

sólo debe usarse para bombear aguas limpias. Esta bomba no está diseñada para bombear efluentes, agua salada, salmuera, agua con detergentes o en ningún otro líquido que contenga químicos causticos y/o residuos y partículas. Ésto le ocasionaría daños a la bomba y cancelaría la garantía.

## Requisitos de la batería para la bomba de respaldo

1. Use sólo baterías nuevas totalmente cargadas de 12 voltios y ciclo intenso. Se debe comprobar el nivel electrolítico y mantenerlo de conformidad con las estipulaciones impartidas por el fabricante.
2. Las baterías que caben en el compartimiento de batería son las siguientes: 24C, 24VCM, 27C, 27CM y 27F.
3. El tiempo de recarga de la batería será diferente en cada instalación. Bajo condiciones normales, demorará de dos a cuatro días recargar totalmente una batería de ciclo intenso después de haber sido descargada. Si se producen cortes de la energía eléctrica en la casa con una frecuencia mayor de una vez por semana, considere la posibilidad de contar con una batería de repuesto totalmente cargada para reemplazar la batería de su bomba auxiliar.

**Instalación**

1. Instale el sistema en un pozo de sumidero de 11 pulgadas de diámetro o más. Construya el pozo del sumidero de losa, hormigón, acero o plástico. Coloque el interruptor de la bomba primaria LEJOS de cualquier entrada de agua de manera que el agua en entrada no haga contacto con la superficie del interruptor (ver Figura 1).
2. La unidad debe ubicarse y apoyarse sobre una base sólida y nivelada. No coloque la bomba directamente sobre arcilla, tierra, barro o sobre una superficie arenosa. Estas superficies contienen pequeñas piedras, grava, arena, etc., que pueden obstruir o dañar la bomba y causar fallas en la misma.

**ADVERTENCIA** *Riesgo de inundación. Si se usa la manguera flexible de descarga, asegúrese de que la bomba esté asegurada en el pozo del sumidero para evitar el movimiento. El no fijar la bomba*

*puede permitir el movimiento de la bomba e interferencias del interruptor, impidiendo que la bomba arranque o pare.*

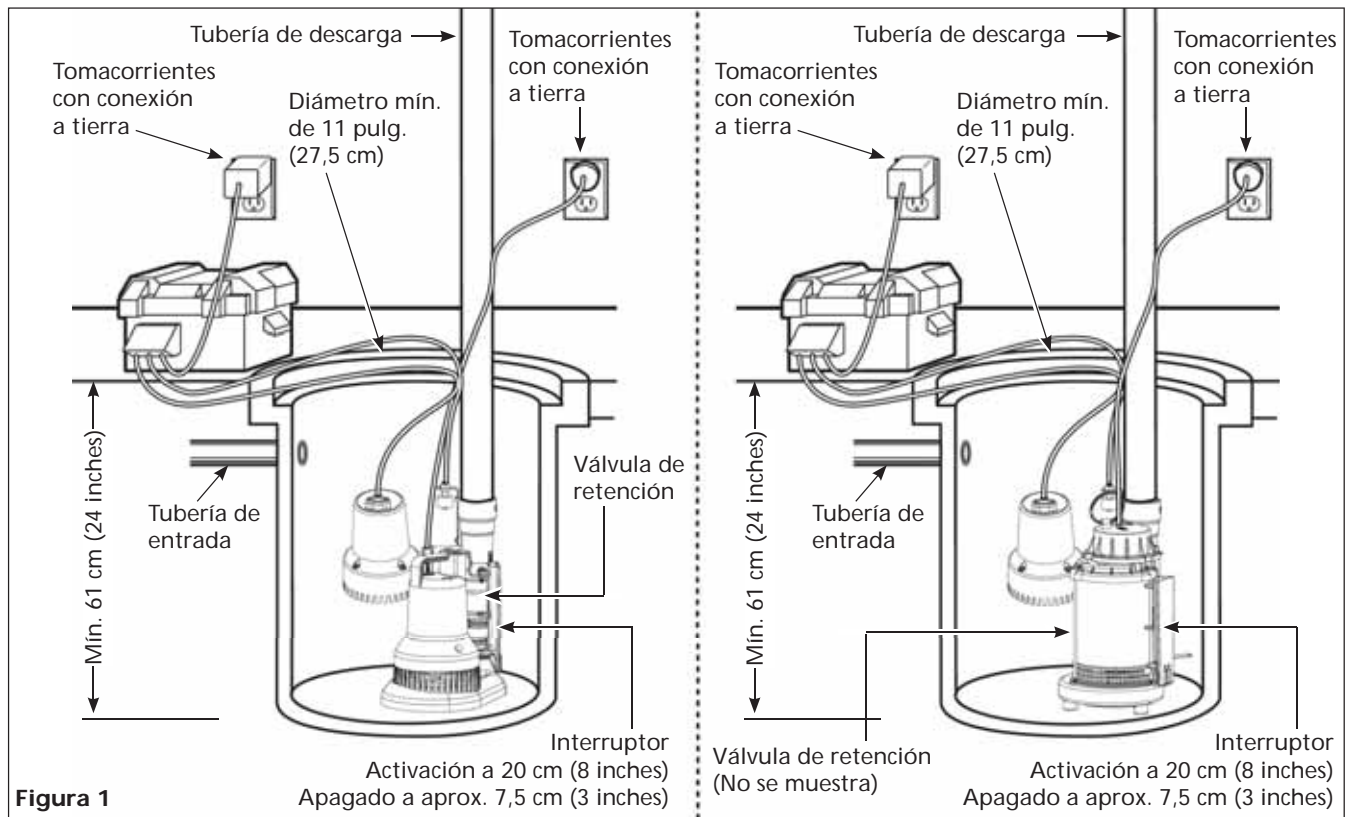
3. Por medio de cemento para PVC y adelgazador, conecte la tubería rígida de 1-1/4 ó 1-1/2 pulgadas a los empates del sistema de descarga.

**ADVERTENCIA** *Sujete la bomba y la tubería cuando la esté ensamblando y después de la instalación. El no hacerlo podría provocar que la tubería se rompa, que la bomba falle, etc., lo que podría dar como resultado daño a la propiedad y/o lesiones personales.*

4. Coloque la batería en la caja. Conecte el cable rojo del panel de control de la caja de la batería al borne positivo de la batería. Conecte el cable negro al borne negativo. Coloque la tapa sobre la caja de la batería.

**PRECAUCION** *Si los cables se conectan al revés, puede dañarse la caja de control o la batería, y la garantía será invalidada.*

5. Coloque la caja de la batería a unos 1,83 m del sumidero y de un tomacorrientes de 115 VCA. El tomacorrientes debe tener un dispositivo automático contra cortocircuitos. El área debe estar limpia, seca y bien ventilada.
6. Conecte el interruptor / flotante, la bomba y el cargador a la caja de controles. Las conexiones están indicadas en la caja de controles.
7. Proteja el cable de corriente de objetos punzantes, superficies calientes, aceite y productos químicos. Evite doblar el cable y reemplace los cables dañados de inmediato.
8. Se deberá instalar una tapa para el pozo del sumidero para evitar que los desechos obstruyan o dañen la bomba.



## Funcionamiento – Bomba Primaria

### ⚠ PELIGRO

*Siempre desconecte el suministro de corriente antes de intentar instalar, efectuar un servicio, reubicar o realizar el mantenimiento de la bomba. No toque nunca la bomba de sumidero, el motor de la bomba, el agua o el tubo de descarga mientras la bomba esté conectada al suministro de corriente. Nunca manipule la bomba o el motor de la bomba con las manos húmedas o cuando se encuentre sobre una superficie húmeda o mojada ni dentro del agua. Puede presentarse un choque eléctrico mortal.*



1. Se requiere un interruptor de circuito de descarga a tierra (GFCI). Ver Figura 2.

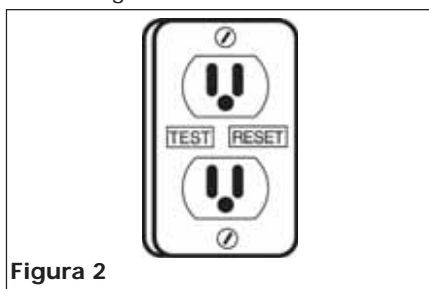


Figura 2

### ⚠ ADVERTENCIA

*¡Riesgo de choque eléctrico! Esta bomba viene con un conductor de conexión a tierra y un enchufe de conexión a tierra. Use un receptáculo con conexión a tierra para reducir el riesgo de choque eléctrico mortal. Nunca corte la clavija redonda de conexión a tierra. Si corta el cable o el enchufe se anulará la garantía y hará que la bomba no funcione.*



2. La bomba primaria está diseñada para usarla sólo con circuito de 120 voltios (monofásico), 60 Hz, 15 amp. y está equipada con un cable de 3 conductores y un enchufe del tipo de conexión a tierra de tres clavijas. Inserte el enchufe del cordón del interruptor directamente en un tomacorriente de 120 voltios.
3. Enchufe el cordón de alimentación de la bomba directamente en la parte de atrás del enchufe del cordón del sensor de agua.

4. Llene el sumidero con agua. La bomba se enciende automáticamente cuando el agua es cerca de 3,81 cm (1,5 inches) desde el extremo superior del interruptor. La bomba se reciclará a partir de ese momento, cada vez que sea necesario.

- La bomba de sumidero trabaja por un mínimo de 4 segundos, hasta un máximo de 16 antes de apagarse.
- El tiempo de funcionamiento de la bomba de sumidero es determinado por el tamaño del pozo del sumidero y el flujo de agua en el pozo de sumidero.
- Bajo condiciones de inundación, la bomba se apaga por 1 segundo cada 16 segundos y vuelve a encenderse automáticamente.

5. No ponga la bomba en funcionamiento a menos que esté sumergida en agua. El funcionamiento en seco causa daños a la bomba.
6. El motor está equipado con un protector térmico de reposición automática.
7. Mientras la bomba esté drenando el pozo, verifique que la tubería de descarga esté llevando el agua hacia un punto bastante alejado de la cimentación.
8. Si la tubería de descarga de la bomba queda expuesta a temperaturas de congelamiento, la tubería expuesta debe inclinarse para que drene. El agua que esté dentro de la bomba puede congelarse y dañar la bomba.

## Funcionamiento – Bomba de Respaldo

### ⚠ PELIGRO

*Siempre desconecte el suministro de corriente antes de intentar instalar, efectuar un servicio, reubicar o realizar el mantenimiento de la bomba. No toque nunca la bomba de sumidero, el motor de la bomba, el agua o el tubo de descarga mientras la bomba esté conectada al suministro de corriente. Nunca manipule la bomba o el motor de la bomba con las manos húmedas*



*o cuando se encuentre sobre una superficie húmeda o mojada ni dentro del agua. Puede presentarse un choque eléctrico mortal.*

### ⚠ ADVERTENCIA

*¡Riesgo de choque eléctrico! Esta bomba viene con un conductor de conexión a tierra y un enchufe de conexión a tierra. Use un receptáculo con conexión a tierra para reducir el riesgo de choque eléctrico mortal. Nunca corte la clavija redonda de conexión a tierra. Si corta el cable o el enchufe se anulará la garantía y hará que la bomba no funcione.*



1. Verifique el funcionamiento de la bomba de respaldo llenando el sumidero con agua y manteniendo desconectada la bomba primaria. Si la bomba de respaldo funciona correctamente, conecte el cargador en el enchufe protegido GFCI para comenzar a cargar la batería.
2. Después de instalada, la bomba auxiliar comenzará a funcionar cuando el nivel de agua suba sobre el nivel en el que la bomba principal debe comenzar a funcionar.
3. La caja de control tiene un cargador de pulsos diseñado para acortar el tiempo de recarga de su batería y para impedir la sobrecarga. Además, la caja de control tiene un retardo de tiempo que, cuando se desconecta, evita los ciclos cortos y repetidos de la bomba. Este dispositivo de retardo de tiempo permitirá que la bomba funcione por 20 ó 25 segundos después de que el interruptor/ flotante llegue a la posición de apagado.
4. La caja de controles contiene una luz multicolor indicadora. Si se utiliza corriente alterna, la luz le indicará que se está cargando la unidad, pero no le indicará el voltaje de la batería, especialmente si la batería está dañada. Para que la luz le indique información correcta debe seguir los pasos de "a" a "d".

## Funcionamiento - Bomba de Respaldo (Continuación)

- Desconecte la bomba principal y el cargador- sonará una alarma por 30 segundos para indicarle que están desconectados.
- Alce y suelte el interruptor/ flotante para activar la bomba auxiliar.
- Cuando la bomba deje de operar vea las luces multicolores:

**Verde:** Le indica que la batería está cargada.

**Amarilla:** Voltaje es bajo, la batería sólo está parcialmente cargada.

**Roja:** La batería está totalmente descargada o dañada.

- Conecte la bomba principal y el cargador al tomacorrientes.

Si la corriente alterna está apagada, mientras la bomba está funcionando, la luz le indicará la carga de la batería.

- Al escuchar un sonido cuando la luz roja se enciende le indica que necesita revisar o reemplazar la batería. El voltaje sólo le indica la condición de la batería pero no le indica el estado en que se encuentra. Vea la sección de Mantenimiento donde se le indica como evaluar el estado de la batería.
- Un silbido de 30 segundos le indicará cuando se interrumpa el suministro de energía. La unidad comenzará a funcionar automáticamente al comenzar el suministro de energía. Cada vez que la unidad comience a funcionar escuchará un silbido de 30 segundos.

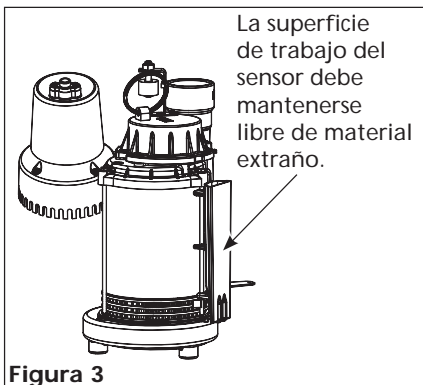


Figura 3

## Mantenimiento - Bomba Primaria

### ⚠ PELIGRO



*Siempre desconecte el suministro de corriente antes de intentar instalar, efectuar un servicio, reubicar o realizar el mantenimiento de la bomba. No toque nunca la bomba de sumidero, el motor de la bomba, el agua o el tubo de descarga mientras la bomba esté conectada al suministro de corriente. Nunca manipule la bomba o el motor de la bomba con las manos húmedas o cuando se encuentre sobre una superficie húmeda o mojada ni dentro del agua. Puede presentarse un choque eléctrico mortal.*

- Deje que la bomba se enfríe por no menos de dos horas antes de dar servicio puesto que la bomba contiene aceite caliente bajo presión y el motor está caliente.
- Desensamblar el motor antes del vencimiento de la garantía anulará la misma. Si se necesitan reparaciones, vea la tabla de solución de problemas.
- La entrada de agua debe mantenerse limpia y libre de cualquier objeto extraño y debe inspeccionarse anualmente. Si se atasca la entrada la bomba se daña.
- Es necesario verificar mensualmente el funcionamiento correcto de la bomba. Es posible verificar que la bomba funcione correctamente desconectando brevemente el cordón de alimentación de la bomba de la parte de atrás del sensor de agua y enchufándolo directamente en el tomacorriente conectado a tierra. Bajo estas condiciones, la bomba trabaja en forma continua. Una vez comprobado el funcionamiento de la bomba, vuelva a enchufar el cordón de alimentación de la bomba en la parte de atrás del enchufe del sensor de agua.
- Limpie regularmente la superficie del sensor de agua para impedir que depósitos de sedimento u otros materiales se acumulen en la superficie del sensor (ver Figura 3).

## Mantenimiento - Bomba de Respaldo

### ⚠ PELIGRO



*Siempre desconecte el suministro de corriente antes de intentar instalar, efectuar un servicio, reubicar o realizar el mantenimiento de la bomba. No toque nunca la bomba de sumidero, el motor de la bomba, el agua o el tubo de descarga mientras la bomba esté conectada al suministro de corriente. Nunca manipule la bomba o el motor de la bomba con las manos húmedas o cuando se encuentre sobre una superficie húmeda o mojada ni dentro del agua. Puede presentarse un choque eléctrico mortal.*

- Revise la condición de la batería una vez al mes.
- Desconecte el cargador de pared.
- En las baterías con tapones superiores removibles, se debe comprobar el nivel electrolítico y mantenerlo de conformidad con los lineamientos impartidos por el fabricante. La carga para cada pila se debe verificar con un hidrómetro. Una gravedad específica de 1,265 indica que la batería está con carga completa. Si la gravedad específica de cualquiera de las pilas varía en más de 0,050, la batería debe ser reemplazada.
- Inspeccione los bornes y abrazaderas para determinar si hay corrosión y si están ajustados. Límpielos y ajústelos según sea necesario.
- Desconecte la bomba principal y llene el sumidero con agua hasta que se prenda la bomba auxiliar. Repita el procedimiento dos veces para asegurarse de que la bomba opera normalmente.
- Si la bomba opera normalmente, enchufe el cargador en el tomacorriente de pared y encienda la bomba principal. Si la bomba deja de operar normalmente, vea la guía de Detección de fallas y corrija el problema. Repita el paso No. 5.

## Guía de diagnóstico de averías - Bomba Primaria

Síntoma	Causa(s) Posible(s)	Medida Correctiva
La bomba no enciende o no funciona	<ol style="list-style-type: none"> <li>1. Fusible quemado</li> <li>2. Bajo voltaje</li> <li>3. Motor defectuoso</li> <li>4. Impulsor</li> <li>5. Interruptor defectuoso</li> </ol>	<ol style="list-style-type: none"> <li>1. Si está quemado, cámbielo por un fusible del tamaño correcto o reajuste el disyuntor</li> <li>2. Si el voltaje está por debajo de 108 voltios, verifique el tamaño del cable</li> <li>3. Reemplace la bomba</li> <li>4. Si el impulsor no funciona, retire la caja y quite la obstrucción</li> <li>5. Verifique/reemplace el interruptor</li> </ol>
La bomba se inicia y se detiene con demasiada frecuencia	<ol style="list-style-type: none"> <li>1. Reflujo de agua desde la tubería</li> <li>2. La entrada de agua drena en la superficie del sensor</li> </ol>	<ol style="list-style-type: none"> <li>1. Instale o cambie la válvula de retención</li> <li>2. Posicione la bomba lejos de la entrada de agua de manera que el interruptor no quede cerca de la entrada de agua (ver Figura 1).</li> </ol>
La bomba no se apaga o el protector térmico se dispara	<ol style="list-style-type: none"> <li>1. Obstrucción en la tubería</li> <li>2. Bajo voltaje</li> <li>3. Demasiados electrodomésticos sobre el circuito eléctrico</li> <li>4. Sensor de agua sucia</li> <li>5. La entrada de agua drena en la superficie del sensor</li> <li>6. Interruptor defectuoso</li> </ol>	<ol style="list-style-type: none"> <li>1. Retire la bomba y limpie la bomba y la tubería</li> <li>2. Si el voltaje está por debajo de 108 voltios, verifique el tamaño del cable</li> <li>3. Instale la bomba en un circuito dedicado. <b>IMPORTANTE:</b> NO use un cordón eléctrico de extensión para alimentar la bomba.</li> <li>4. Limpie la superficie del sensor (ver Figura 3)</li> <li>5. Posicione la bomba lejos de la entrada de agua de manera que el interruptor no quede cerca de la entrada de agua (ver Figura 1).</li> <li>6. Reemplace el interruptor</li> </ol>
La bomba funciona pero sale muy poca agua o nada	<ol style="list-style-type: none"> <li>1. Impulsor atascado</li> <li>2. Válvula de retención instalada al revés</li> <li>3. Aire en la bomba</li> <li>4. Bajo voltaje</li> </ol>	<ol style="list-style-type: none"> <li>1. Limpie el impulsor</li> <li>2. Invierta la posición de la válvula de retención</li> <li>3. Taladre un orificio de 3 mm (1/8 inch) en la tubería de descarga entre la bomba y la válvula de retención</li> <li>4. Si el voltaje está por debajo de 108 voltios, verifique el tamaño del cable</li> </ol>
La bomba emite un ruido de borboteo al final del ciclo	<ol style="list-style-type: none"> <li>1. La bomba ha aspirado aire</li> <li>2. El tiempo requerido para bombear es menos de 4 segundos</li> </ol>	<ol style="list-style-type: none"> <li>1. Limpie la superficie del sensor (ver Figura 3).</li> <li>2. El tiempo de funcionamiento adicional no daña la bomba</li> </ol>

## Guía de diagnóstico de averías - Bomba de Respaldo

Síntoma	Causa(s) Posible(s)	Medida Correctiva
La bomba no funciona	<ol style="list-style-type: none"> <li>1. Conexiones flojas</li> <li>2. Batería baja o defectuosa</li> <li>3. Interruptor de flotador atascado</li> <li>4. Fusible defectuoso o quemado</li> </ol>	<ol style="list-style-type: none"> <li>1. Revise todas las conexiones</li> <li>2. Revise la batería y reemplácela si está baja o defectuosa</li> <li>3. Asegúrese de que nada interfiera con el funcionamiento del interruptor</li> <li>4. Revise el fusible interno ubicado dentro de la caja de control. Desconecte el cargador del tomacorrientes de la pared y retire el fusible. Si está quemado, cámbielo por un fusible tipo auto-motor de 15 amperios</li> </ol>
El motor zumba, pero la bomba no funciona	<ol style="list-style-type: none"> <li>1. Batería defectuosa</li> <li>2. El impulsor está bloqueado</li> </ol>	<ol style="list-style-type: none"> <li>1. Revise la batería y reemplácela si está baja o defectuosa</li> <li>2. Desconecte la bomba y cerciórese de que la propela puede funcionar sin problemas. Si la propela está atascada y no puede girar, quítele los 4 tornillos en la parte inferior de la bomba para desconectar la cubierta. Limpie las piezas internas para eliminar la causa del problema. Ensamble la bomba y reconéctela</li> </ol>
La bomba funciona pero bombea poca o nada de agua	<ol style="list-style-type: none"> <li>1. Revise la válvula que falta o que está mal instalada</li> <li>2. Obstrucción en el tubo de descarga</li> <li>3. La bomba no ha sido inclinada 30 grados</li> <li>4. Bomba bloqueada por aire</li> <li>5. La longitud y/o altura del tubo de descarga excede la capacidad de la bomba</li> <li>6. Batería baja o defectuosa</li> </ol>	<ol style="list-style-type: none"> <li>1. Asegúrese de que hay una válvula de retención instalada y funcionando entre la descarga de la bomba primaria y la conexión en T de la bomba de sumidero de reserva</li> <li>2. Revise si hay obstrucción y remuévala si es necesario</li> <li>3. Cerciórese de que la bomba esté a 30° de la conexión en T tal como se indica en la Figura 3</li> <li>4. La cubierta de la propela tiene un orificio en uno de los lados. Este orificio debe estar abierto para cebar la bomba. Deconecte la bomba, quítele los 4 tornillos en la parte inferior para desconectar la cubierta de la propela. Limpie el orificio y coloque la cubierta</li> <li>5. Si la línea de descarga está muy alta, tal vez necesitará instalar una línea de descarga adicional a una altura inferior</li> <li>6. Revise la batería y cámbiela si está baja o defectuosa</li> </ol>
Los ciclos de la bomba son muy frecuentes	<ol style="list-style-type: none"> <li>1. La válvula de chequeo principal, ubicada entre la descarga de la bomba principal y la conexión en T o válvula de charnela de la bomba de auxiliar, no ha sido instalada o está funcionando mal</li> </ol>	<ol style="list-style-type: none"> <li>1. Instale una válvula de retención o repare, según sea necesario</li> </ol>

## Para Piezas de Repuestos, Llame al 1-800-237-0987

Sírvase proporcionar la siguiente información:

- Número de modelo
- Número de serie (si tiene)
- Descripción y número de repuesto como se muestra en la lista de repuestos

Envíe su solicitud de repuestos a la siguiente dirección:

Wayne Water Systems  
101 Production Drive  
Harrison, OH 45030 U.S.A.

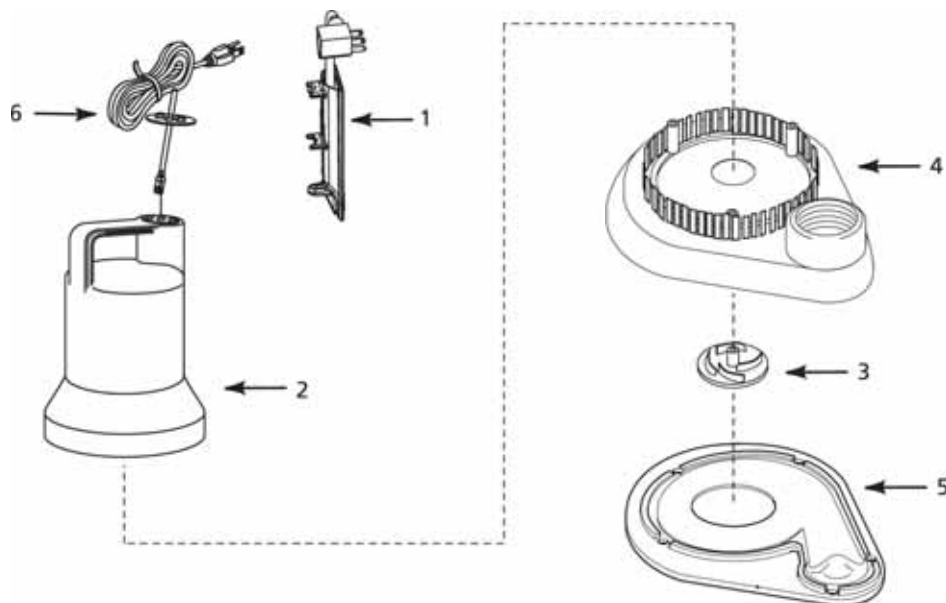


Figura 4 - Bomba Primaria, Modelo WSCAP30

### Lista de Partes de Reparación

Número de Referencia	Descripción	Número de Parte	Cantidad
1	Sensor de agua Switch Genius™	30037-001	1
2	Juego de ensamble del motor	60047-001	1
3	Juego de la propela	66011-001	1
4	Voluta	28416-001	1
5	Base	28418-001	1
6	Cordón eléctrico	62003-001	1

## Para Piezas de Repuestos, Llame al 1-800-237-0987

Sírvase proporcionar la siguiente información:

- Número de modelo
- Número de serie (si tiene)
- Descripción y número de repuesto como se muestra en la lista de repuestos

Envíe su solicitud de repuestos a la siguiente dirección:

Wayne Water Systems  
101 Production Drive  
Harrison, OH 45030 U.S.A.

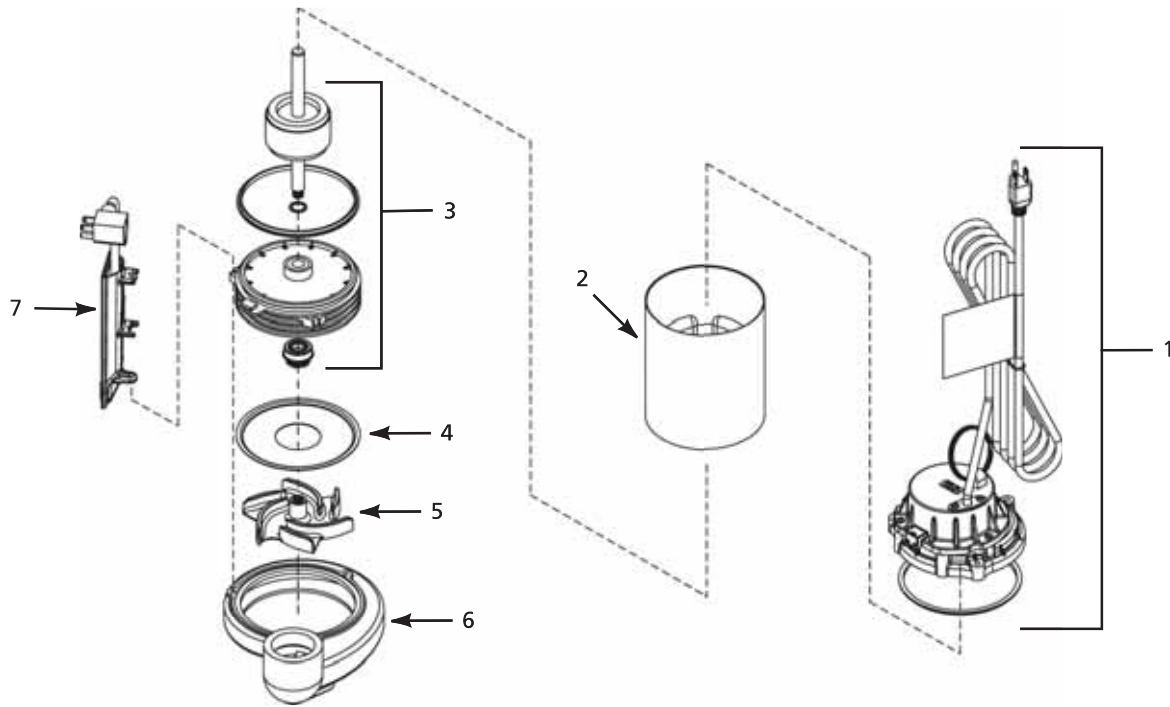


Figura 5 - Bomba Primaria, Modelo CDUCAP33

### Lista de Partes de Reparación

Número de Referencia	Descripción	Número de Parte	Cantidad
1	Juego de cubierta superior	60030-001	1
2	Stator	—	1
3	Ensamble del rotor / abrazadera inferior	—	1
4	Placa del impulsor	15958	1
5	Impulsor	60001-001	1
6	Voluta	60039-001	1
7	Sensor de agua Switch Genius™	30037-001	1



## Para Piezas de Repuestos, Llame al 1-800-237-0987

Sírvase proporcionar la siguiente información:

- Número de modelo
- Número de serie (si tiene)
- Descripción y número de repuesto como se muestra en la lista de repuestos

Envíe su solicitud de repuestos a la siguiente dirección:

Wayne Water Systems  
101 Production Drive  
Harrison, OH 45030 U.S.A.

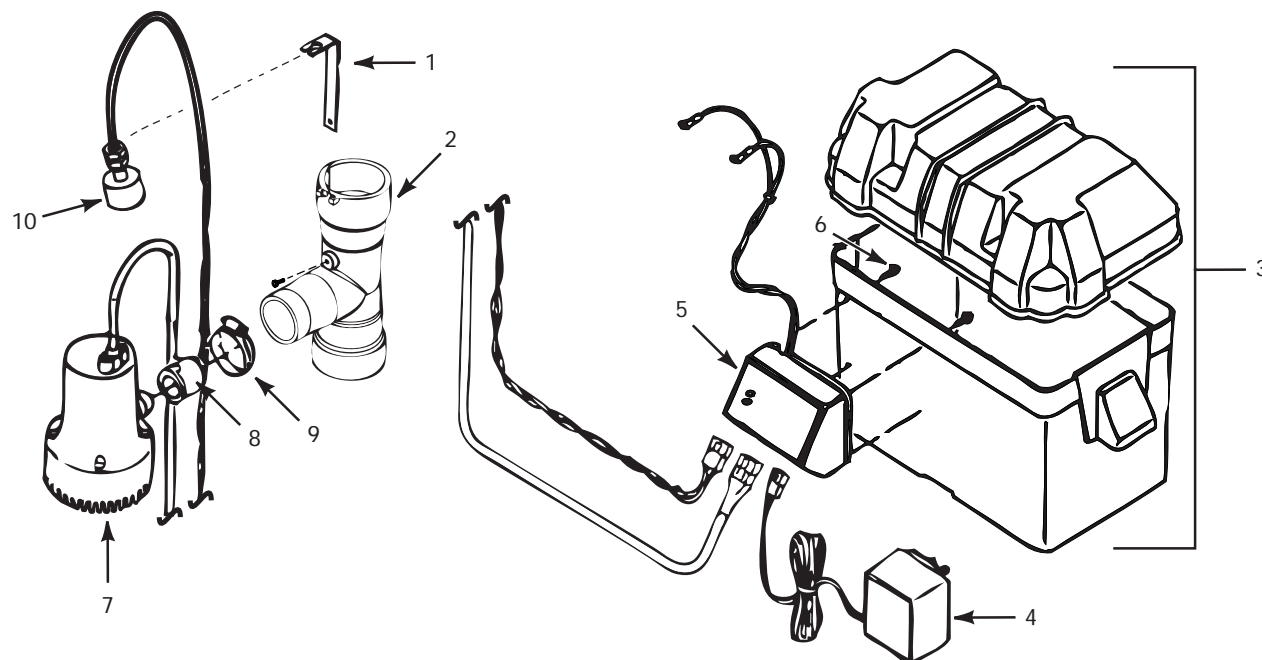


Figura 6 - Bomba de Respaldo, Modelo ESP15

### Lista de Partes de Reparación

Número de Referencia	Descripción	Número de Parte	Cantidad
1	Ménsula	46049-001	1
2	Conexión en T	17233-002	1
3	Compartimento de batería	23217-001	1
4	Cargador	17220-004	1
5	Caja de control	30209-002	1
6	Tornillo - caja de control	16119-002	4
7	Bomba	17218-003	1
8	Válvula de charnela	17216-001	1
9	Abrazadera de manguera	16044-001	1
10	Interruptor / flotante	30033-001	1





**GARANTÍA LIMITADA**

**Sistema WSS10:** Durante dos (2) años a partir de la fecha de compra, Wayne Water Systems reparará o reemplazará, según lo decida, para el comprador original, cualquier pieza o piezas de sus Bombas para cloacas o Bombas de agua ("Producto") que después de un examen sea(n) hallada(s) por Wayne Water Systems como defectuosa(s) en su material o mano de obra.

**Sistema WSS20:** Durante cinco (5) años a partir de la fecha de compra, Wayne Water Systems reparará o reemplazará, según lo decida, para el comprador original, cualquier pieza o piezas de sus Bombas para cloacas o Bombas de agua ("Producto") que después de un examen sea(n) hallada(s) por Wayne Water Systems como defectuosa(s) en su material o mano de obra.

Para recibir información sobre los pasos a seguir, comuníquese directamente con la compañía Wayne Water Systems (1-800-237-0987, sólo desde EE.UU.), o con el distribuidor autorizado más cercano a su domicilio. En el momento de reclamar sus derechos bajo esta garantía deberá suministrarnos el número del modelo. Todos los gastos de flete serán la responsabilidad del comprador.

Esta garantía limitada no cubre los daños debido a accidentes, abusos, uso inadecuado, negligencia, instalación inadecuada, mantenimiento inadecuado, o funcionamiento sin seguir las instrucciones suministradas por escrito por la compañía Wayne Water Systems.

**NO EXISTE OTRA GARANTÍA EXPRESA. LAS GARANTÍAS IMPLÍCITAS, INCLUYENDO AQUELLAS DE COMERCIALIZACIÓN Y APTITUD PARA UN PROPÓSITO EN PARTICULAR, ESTÁN LIMITADAS A DOS (2) AÑOS A PARTIR DE LA FECHA DE COMPRA PARA EL SISTEMA WSS10 Y ESTÁN LIMITADAS A CINCO (5) AÑOS A PARTIR DE LA FECHA DE COMPRA PARA EL SISTEMA WSS20. ESTA ES LA UNICA GARANTIA Y CUALQUIER PERDIDA O RESPONSABILIDAD CIVIL, SEA DIRECTA O INDIRECTA COMO CONSECUENCIA DE DAÑOS SON EXCLUIDAS.**

Algunos estados no permiten límites en la duración de las garantías, o no permiten que se limiten o excluyan casos por daños por accidentes o consecuentes, en dichos casos los límites arriba enumerados tal vez no apliquen para Ud. Esta garantía limitada le otorga a Ud. ciertos derechos que pueden variar de un estado a otro.

Bajo ninguna circunstancia, aunque sea debido al incumplimiento del contrato de garantía, culpabilidad (incluyendo negligencia) u otras causas, la compañía Wayne Water Systems o ninguno de sus surtidores serán responsables legalmente por ningún fallo legal en su contra, incluyendo, pero no limitado a pérdida de ganancias, pérdidas del uso del producto o piezas asociadas con el equipo, pérdidas de capital, gastos para reemplazar los productos dañados, pérdidas por cierre de fábrica, servicios o pérdida de electricidad, o demandas presentadas por los clientes del comprador por dichos daños.

Ud. **DEBE** conservar el recibo como prueba de compra junto con esta garantía. En caso de que necesite presentar un reclamo de sus derechos bajo esta garantía, Ud. **DEBERA** enviar una **COPIA** del recibo de la tienda junto con el producto o correspondencia. Comuníquese con la compañía Wayne Water Systems (1-800-237-0987, sólo desde EE.UU) para recibir autorización e instrucciones de como enviar la mercancía.

**NO ENVIE ESTOS DATOS A WAYNE WATER SYSTEMS.** Conserve esto sólo como datos.

MODELO NO. (BOMBA PRIMARIA) \_\_\_\_\_ MODELO NO. (BOMBA DE RESPALDO) \_\_\_\_\_

NO. DE SERIE. (BOMBA PRIMARIA) \_\_\_\_\_ NO. DE SERIE. (BOMBA DE RESPALDO) \_\_\_\_\_

FECHA DE INSTALACIÓN \_\_\_\_\_

**GRAPE SU RECIBO DE COMPRA AQUÍ**