

# Wastewater

## VS-P2800 Series



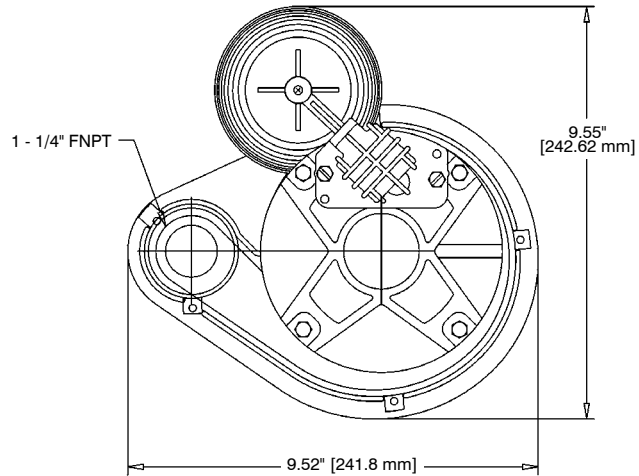
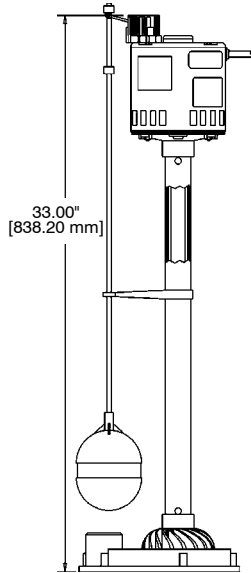
### Applications

- Little Giant VS-P Series Sump Pumps are rated for continuous duty in basement sump pits and dewatering areas where small debris is present

### Features

- 1/3 hp motor with thermal overload protection
- Plastic volute made of corrosion-proof ABS
- 1-1/4" FNPT discharge
- Handles liquids and solids up to 1/4"
- Adjustable automatic operation with integral snap-action float switch:
  - "On" Level: 10" - 5"
  - "Off" Level: 9" - 4"

## Engineering Data



**VS-P2800**

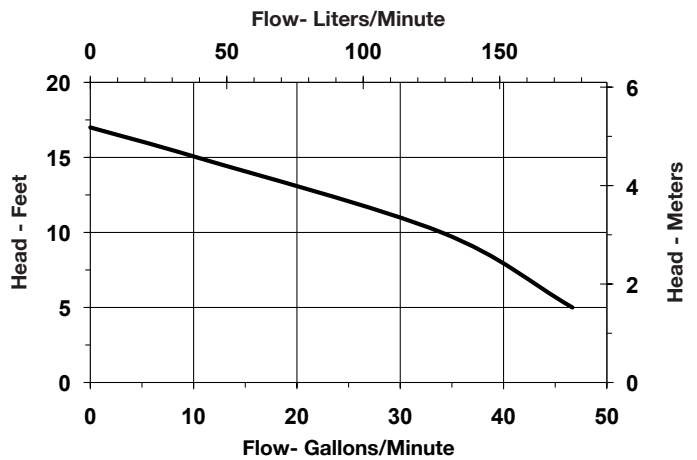
## Specifications

Item No.	Model No.	HP	Volts	Amps	Watts	Performance (GPM @ Head)			Shut Off		Cord Length (ft)	Weight (lbs)	Dimensions (H x L x W in)
						5'	10'	15'	Feet	PSI			
547151	VS-P2800	1/3	115	4	316	46.6	34	10.3	17	7.4	8	16	33 x 9.52 x 9.55

## Construction

<b>Impeller Material</b>	PVC
<b>Impeller</b>	Semi-open non-clog
<b>Volute</b>	ABS
<b>Power Cord</b>	8', 18-3, SJOW
<b>Fasteners</b>	Anodized steel
<b>Drive Shaft</b>	PVC

## Performance Data



P.O. Box 12010  
 Oklahoma City, OK 73157-2010  
 Phone: 1.800.701.7894  
 Fax: 1.800.678.7867  
 www.LittleGiantPump.com

