

Product information presented here reflects conditions at time of publication. Consult factory regarding discrepancies or inconsistencies.



PUMP COMPANY

Zoeller Family of Water Solutions™

MAIL TO: P.O. BOX 16347 • Louisville, KY 40256-0347
SHIP TO: 3649 Cane Run Road • Louisville, KY 40211-1961
(502) 778-2731 • 1 (800) 928-PUMP • FAX (502) 774-3624

visit our web site:
www.zoeller.com

COMPARE THESE FEATURES

- 115V single phase/60 Hz, .4 HP, 5.5 Amps, 3400 RPM.
- Thermal overload protection.
- Non-corrosive engineered plastic motor housing, pump housing, base, and impeller.
- Oil Free.
- No steel sheet metal parts to rust or corrode.
- All stainless steel screws, switch arm, and lower motor housing.
- 2-pole float operated mechanical switch.
- Solid polypropylene float.
- UL Listed 15' cord with 3-prong plug.
- Maximum temperature for dewatering - 110°F (43°C).
- Passes 2" inch spherical solids.
- 2" NPT discharge.
- Non-clogging vortex impeller.
- On point— 13" • Off point— 5-3/4"
- Major width - 9-5/16" • Height - 15-7/8"

Note: The sizing of effluent systems normally requires variable level float(s) controls and properly sized basins to achieve required pumping cycles or dosing timers with nonautomatic pumps.

**ALL MODELS ARE
COMPLETELY SUBMERSIBLE
HERMETICALLY SEALED**

Watertight - dust tight.

Model 211

(For Pump Prefix Identification
see News & Views 0052)

"AQUA-MATE"

SUBMERSIBLE PUMP

FOR

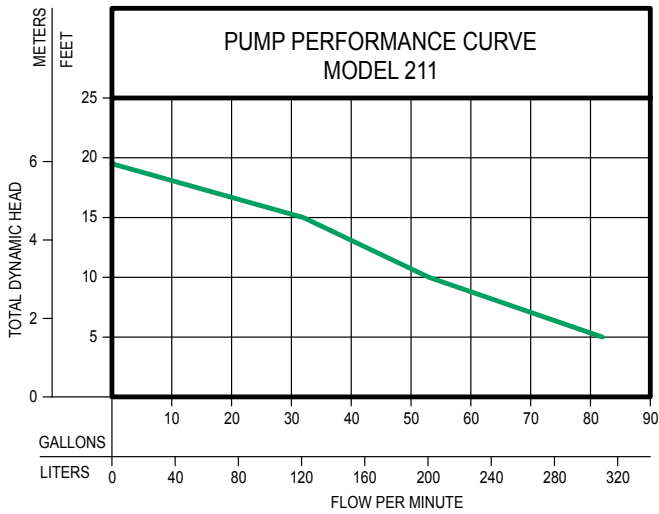
SEWAGE/EFFLUENT OR DEWATERING

**PASSES 2" SOLIDS
2" NPT DISCHARGE**

**AUTOMATIC
MODEL**

MODELS AVAILABLE
• Automatic or Nonautomatic

SSPMA
Certified
PUMP
MEMBER

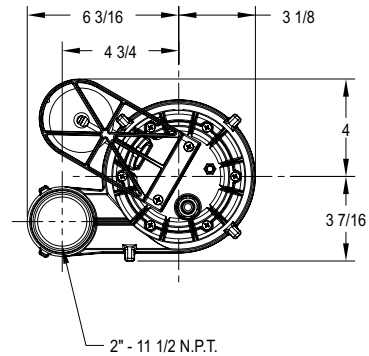


**TOTAL DYNAMIC HEAD/FLOW
PER MINUTE
SEWAGE AND DEWATERING**

MODEL		211	
Feet	Meters	Gal.	Liters
5	1.5	82	310
10	3.0	53	201
15	4.6	32	121
Shut-off Head:		19.5 ft. (5.9m)	

014718B

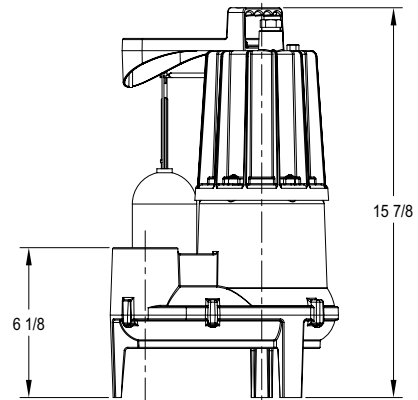
014718A



Recommended for 2" pipe only.

**CONSULT FACTORY
FOR SPECIAL APPLICATIONS**

- Variable level Float Switches available.
- Variable level long cycle systems available.
- Alarm systems available.



SK2092A

Single Seal	Control Selection					
	Model	Volts - Ph	Mode	Amps	Simplex	Duplex
M 211	115	1	Auto	5.5	1	3
N 211	115	1	NonAuto	5.5	2	2 & 3

SELECTION GUIDE

1. Integral float operated mechanical switch, no external control required.
2. For automatic use single piggyback variable level float switch or double piggyback variable level float switch. Refer to FM0477.
3. See FM1663 for a residential alternator system.

CAUTION

For information on additional Zoeller products refer to catalog on Piggyback Variable Level Float Switches, FM0477; Sump/Sewage Basins, FM0487; and Single Phase Simplex Pump Control/Alarm Systems, FM0732.

All installation of controls, protection devices and wiring should be done by a qualified licensed electrician. All electrical and safety codes should be followed including the most recent National Electric Code (NEC) and the Occupational Safety and Health Act (OSHA).

RESERVE POWERED DESIGN

For unusual conditions a reserve safety factor is engineered into the design of every Zoeller pump.



PUMP COMPANY

MAIL TO: P.O. BOX 16347 • Louisville, KY 40256-0347
SHIP TO: 3649 Cane Run Road • Louisville, KY 40211-1961
(502) 778-2731 • 1 (800) 928-PUMP • FAX (502) 774-3624

Your Peace of Mind is Our Top Priority®

visit our web site:
www.zoeller.com