

Product information presented here reflects conditions at time of publication. Consult factory regarding discrepancies or inconsistencies.

PUMP COMPANY

Zoeller Family of Water Solutions™

MAIL TO: P.O. BOX 16347 • Louisville, KY 40256-0347
 SHIP TO: 3649 Cane Run Road • Louisville, KY 40211-1961
 (502) 778-2731 • 1 (800) 928-PUMP • FAX (502) 774-3624

visit our web site:
www.zoeller.com

COMPARE THESE FEATURES

- Float is constructed of durable PVC/polypropylene encasing variable level switch
- Standard mechanical variable level control switches are rated for 115/230V, 5 Amps
- Low current mechanical variable level control switches are rated for 125 VAC/30 VDC, 0.1 Amps
- 18/2 Type SJOW CPE cord standard
- Cords are available in 15-25-35-50 foot lengths
- Temperature rating of 140°F (60°C)
- Approximately 1.5" liquid level differential in switching action

Variable Level Control Switch is normally open when hanging vertically above liquid level. Switch closes when it reaches a few degrees above the horizontal position.

APPLICATIONS

- Switch for simplex or duplex pump control and high level alarm on electrical alternating control panel systems for dewatering, effluent and sewage applications.
- Switch for A-Pak
- High level alarm switch

ADJUSTABLE WEIGHT: (P/N 10-0689) provides an accurate pivot point for suspended float switches.

- Gripper teeth on clip and weight channel securely lock float cable into place.
- Cable weight can be adjusted without the use of tools.


HOUSING: 1lb 12oz. (0.8 kg) 2.8" x 3.3" (7.1 cm x 8.4 cm)
 Impact-resistant & non-corrodible, PVC housing for liquids up to 140° F (60° C)

CLIP: injection-molded acetal plastic

WIRE/CABLE ACCOMODATED: SJOW, SJTW, 18/2, 18/3, 16/3, 14/2, 14/3

SHIP WEIGHT: 2 lbs. (32 oz)

VARIABLE LEVEL CONTROL SWITCHES



CLAMP TYPE
ADJUSTABLE WEIGHT TYPE

May not be exactly as pictured. See back for application drawings.



FLOAT SWITCHES			
Mechanical		Cord Length	Mounting Method
Standard P/N*	Low Current P/N**		
10-0743	10-2060	15	Clamp
10-0744	10-2061	20	Clamp
10-1877	10-2062	25	Clamp
10-1878	10-2063	35	Clamp
10-1879	10-2064	50	Clamp
10-1880	10-2065	15	Adjustable Weight
10-1881	10-2066	25	Adjustable Weight
10-1882	10-2067	35	Adjustable Weight
10-1883	10-2068	50	Adjustable Weight

FLOAT SWITCH TREES			
Mechanical		Cord Length	Mounting Method
Standard P/N*	Intrinsically Safe P/N**		
10-1456	10-1456	---	Tree Only
10-1886	10-2069	15	(3) 15' Floats & Tree
10-1887	10-2070	15	(4) 15' Floats & Tree

* Do not use with intrinsically safe control systems.
 ** For use with intrinsically safe control systems only.

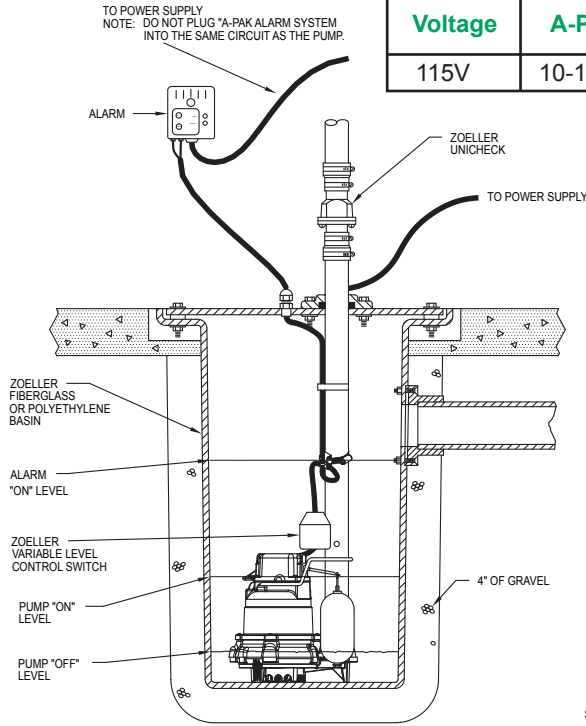
TYPICAL APPLICATIONS

SIMPLEX SYSTEM

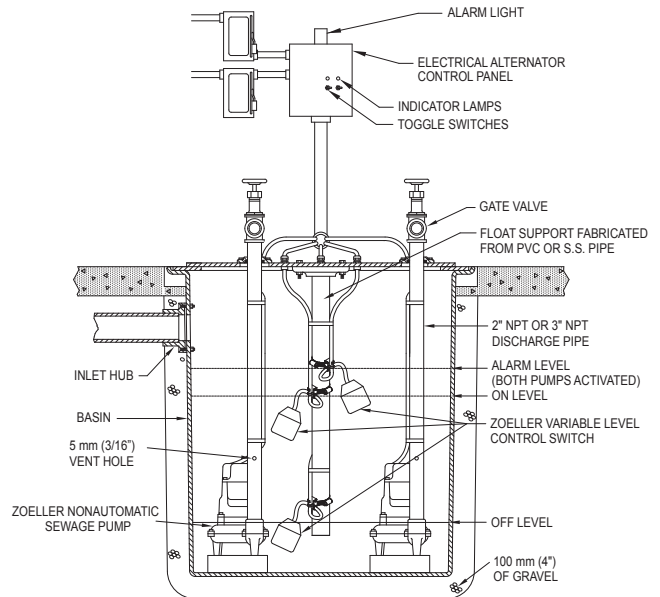
Switch for A-Pak, High Level Alarm Switch.

Voltage	A-Pak	Variable Level Control Switch
115V	10-1494	10-0743

DUPLEX ELECTRICAL ALTERNATING SYSTEM

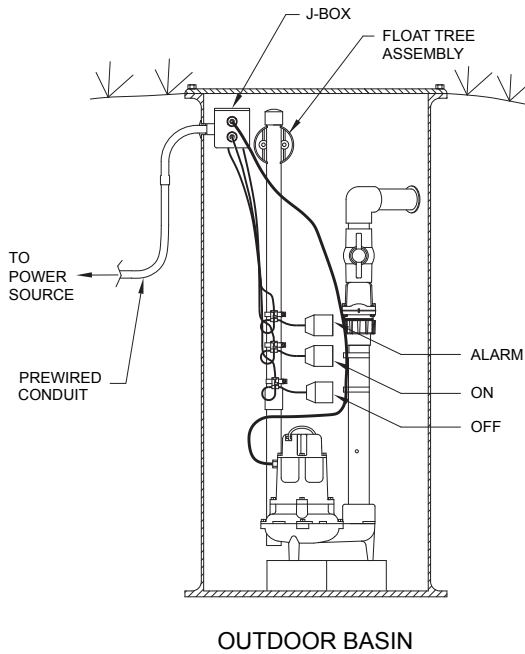


SK2376



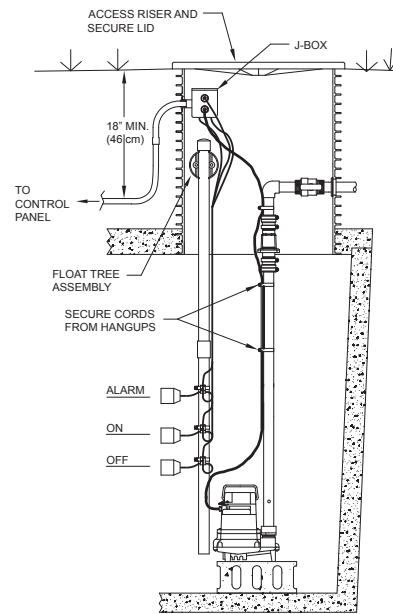
SK484

FLOAT TREE ASSEMBLIES



OUTDOOR BASIN

SK2233A



DOSING TANK

SK2233B

For information on additional Zoeller products refer to catalog on Electrical Alternator, FM0486; Single Phase Simplex Control/Alarm Systems, FM0732; and Simplex Controller, FM0731.



WARNING All electrical systems must be installed by a qualified licensed electrician according to the National Electrical Code.



PUMP COMPANY

MAIL TO: P.O. BOX 16347 • Louisville, KY 40256-0347
SHIP TO: 3649 Cane Run Road • Louisville, KY 40211-1961
(502) 778-2731 • 1 (800) 928-PUMP • FAX (502) 774-3624

Your Peace of Mind is Our Top Priority®

visit our web site:
www.zoeller.com