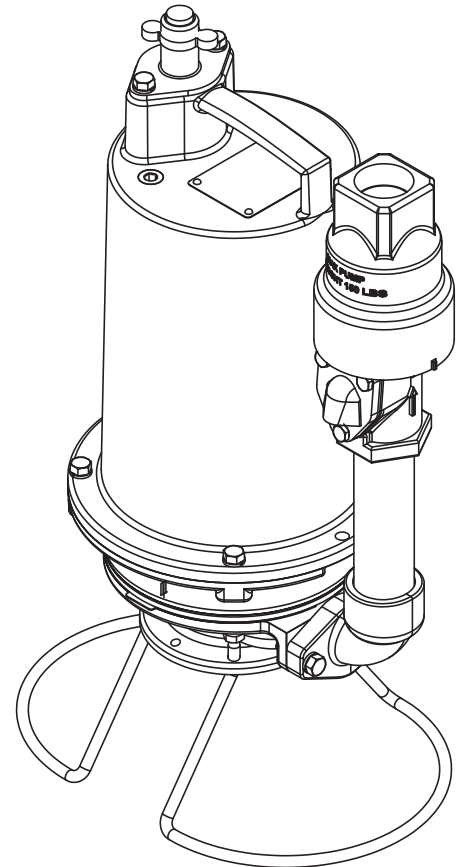


**Submersible Grinder Pumps**

**Specifications:**

**DISCHARGE** .....1¼" NPT SCH 80, 300 Series SS  
**CHECK VALVE** .....1¼" NPT Cast Iron  
     *Style* .....Flapper with Integrated Anti-Siphon  
**LIQUID TEMPERATURE** .....104°F (40°C) Continuous  
**MOTOR HOUSING** .....Cast Iron ASTM A-48, Class 30.  
**SEAL PLATE** .....Cast Iron ASTM A-48, Class 30.  
**SUCTION CASING** .....Cast Iron ASTM A-48, Class 30.  
**IMPELLER** .....Stainless Steel  
**SHREDDING RING** .....Hardened 440C Stainless Steel  
     Rockwell® C-55.  
**CUTTER** .....Hardened 440C Stainless Steel,  
     Rockwell® C-55.  
**SHAFT** .....416 Stainless Steel  
**SQUARE RINGS** .....Buna-N  
**O-RINGS** .....Buna-N  
**HARDWARE** .....300 Series Stainless Steel  
**PAINT** .....Air Dry Enamel  
**SEAL:**     *Design* .....Single Mechanical  
             *Material* .....Rotating Face - Silicon Carbide  
                                 Stationary Face - Silicon Carbide  
                                 Elastomer - Buna-N  
                                 Hardware - 300 Series Stainless  
**CORD ENTRY** .....20ft. (6m) Cord with Plug, Custom Molded  
     Quick Connect for Sealing with Strain  
     Relief.  
**CORD:**  
     *Type* .....14/3 CSA/UL Approved SOW  
**SPEED:** .....3450 RPM, 60Hz  
**UPPER BEARING:**  
     *Design* .....Single Row, Ball, Oil Lubricated  
     *Load* .....Radial  
**LOWER BEARING:**  
     *Design* .....Single Row, Ball, Oil Lubrication  
     *Load* .....Radial & Thrust  
**MOTOR:**  
     *Design* .....NEMA, Oil-Filled,  
                         Squirrel Cage Induction  
     *Insulation* .....Class F  
     *Type* .....Capacitor Start/Capcitor Run  
**LEVEL CONTROL:**  
     *A Series* .....Pipe Mounted, Piggy-Back Mechanical  
                         with 240V Plug  
**OPTIONAL EQUIPMENT**.....Additional cord



**Patent Pending**

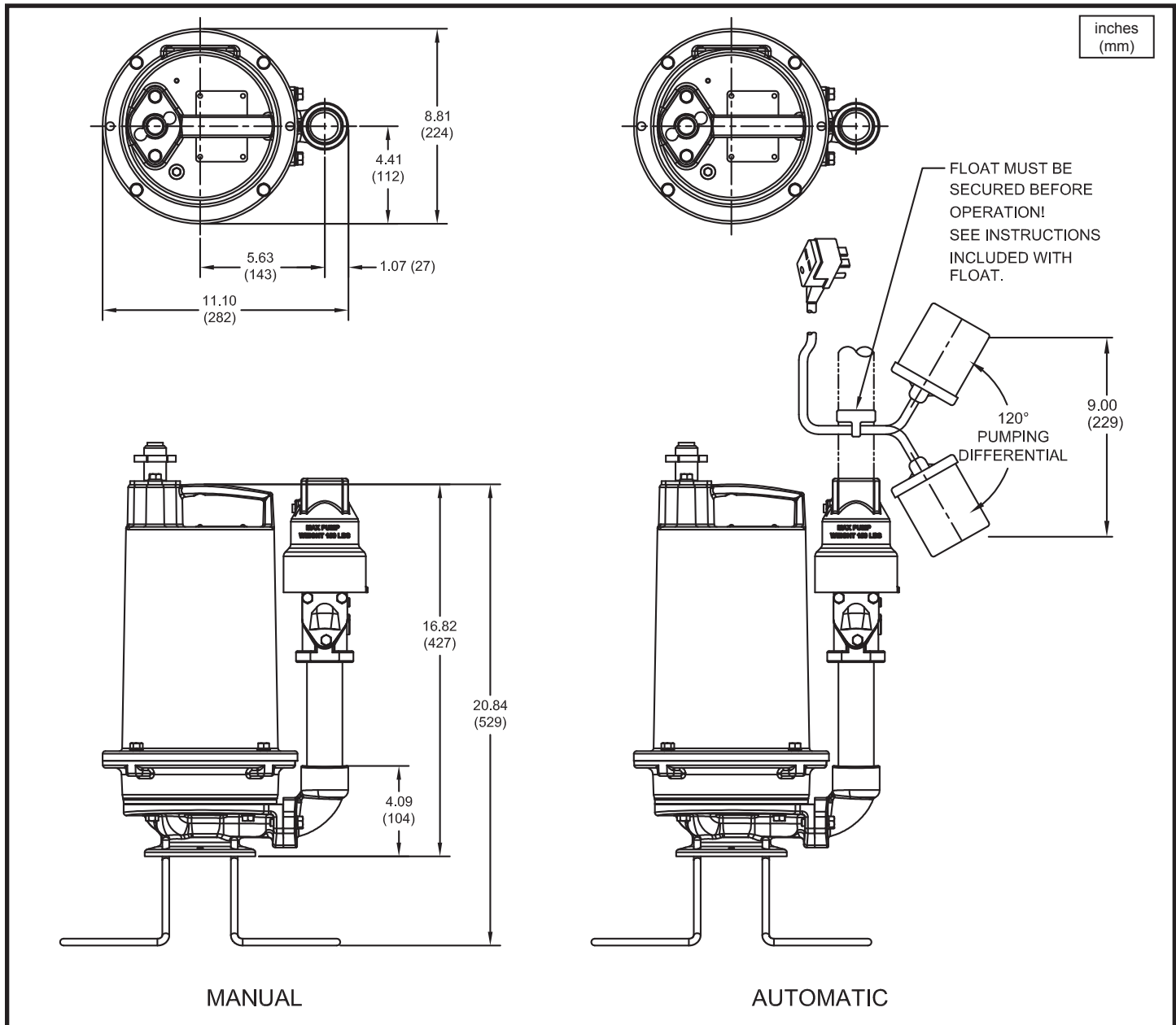
**Series: PGPT**  
**1HP, 3450RPM, 60Hz**



**DESCRIPTION:**

GRINDER PUMP DESIGNED TO REDUCE DOMESTIC SEWAGE TO A FINELY GROUND SLURRY.

## Submersible Grinder Pumps

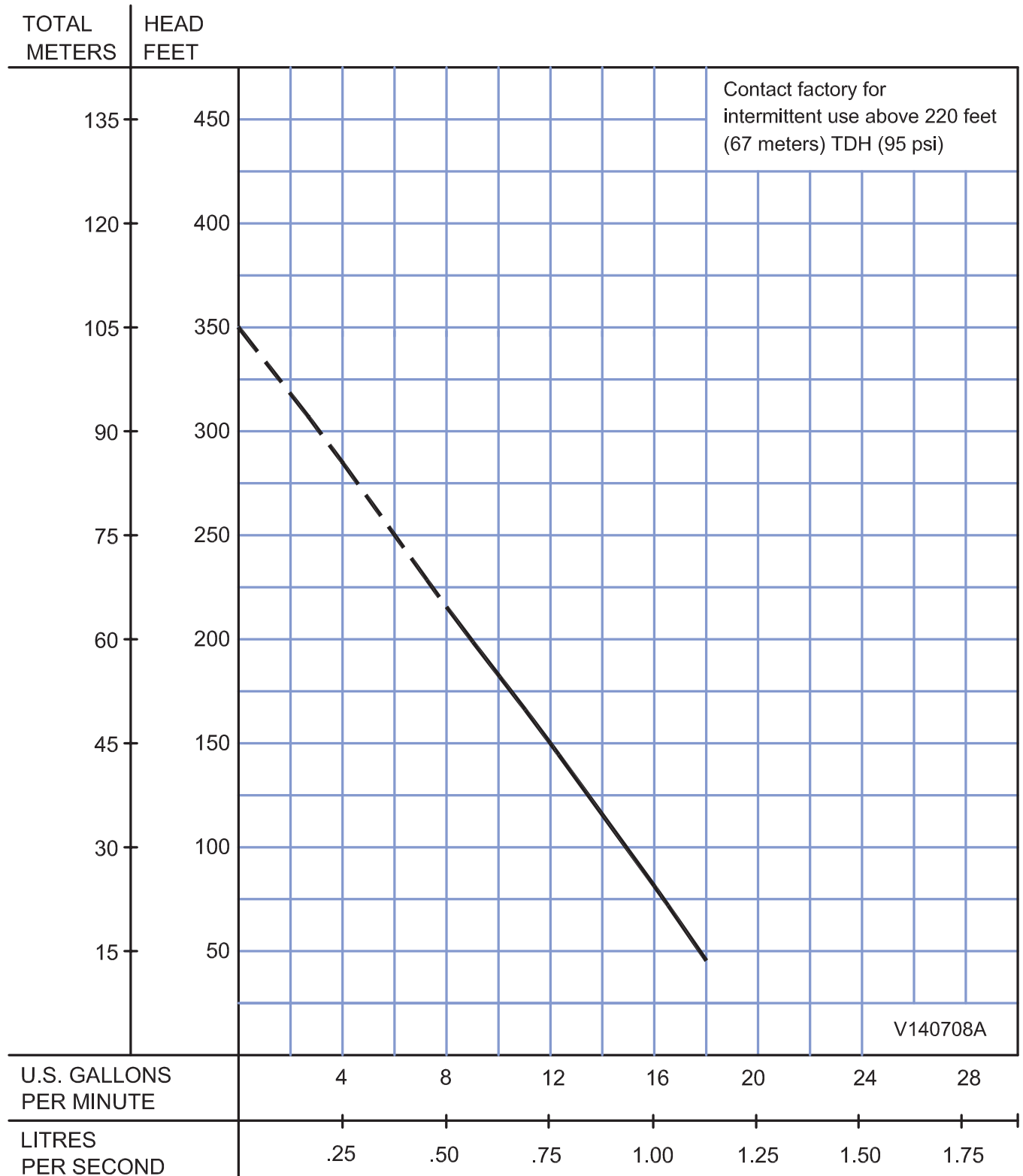


MODEL NO	PART NO	HP (kW)	VOLT	PH/Hz	NEMA START CODE	FULL LOAD AMPS	LOCKED ROTOR AMPS	CORD SIZE	CORD TYPE	CORD O.D. ± .02 (.5) in (mm)	CORD LENGTH FT. (m)
PGPT1022	140708	1 (.75)	240	1 / 60	K	12.5	35.0	14/3	SOW	.61 (15.5)	20 (6.1)
PGPT1022A	140709	1 (.75)	240	1 / 60	K	12.5	35.0	14/3	SOW	.61 (15.5)	20 (6.1)

### IMPORTANT !

- 1.) PUMP MAY BE OPERATED "DRY" FOR EXTENDED PERIODS WITHOUT DAMAGE TO MOTOR AND/OR SEALS.
- 2.) INSTALLATIONS SUCH AS DECORATIVE FOUNTAINS OR WATER FEATURES PROVIDED FOR VISUAL ENJOYMENT MUST BE INSTALLED IN ACCORDANCE WITH THE NATIONAL ELECTRIC CODE ANSI/NFPA 70 AND/OR THE AUTHORITY HAVING JURISDICTION. THIS PUMP IS NOT INTENDED FOR USE IN SWIMMING POOLS, RECREATIONAL WATER PARKS, OR INSTALLATIONS IN WHICH HUMAN CONTACT WITH PUMPED MEDIA IS A COMMON OCCURRENCE.

**Submersible Grinder Pumps**



**Testing is performed with water, specific gravity 1.0 @ 68° F @ (20°C), other fluids may vary performance**