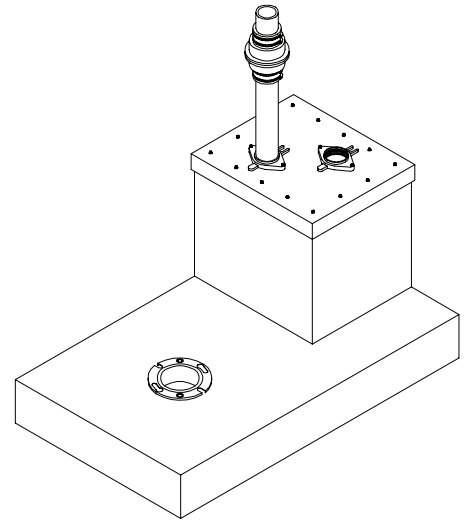


**Submersible Non-Clog Pumps**

The Basement Genie Basin can be installed almost anywhere. It can accommodate a toilet, vanity, humidifier or shower. It is perfect for basements, family rooms, warehouses, factories and room additions. Fits almost anywhere and can be used with many toilet styles. The Basement Genie Basin can be installed free standing on any level surface (no need to destroy concrete floors) or the tank and all piping can be hidden behind a wall and under the floor.

System includes pump, basin, 2" PVC discharge pipe, 2" NPT vent flange, 2" straight discharge flange, 2" rubber gasket, cast iron closet flange, rubber cord grommet, 3/8" foam lid gasket, 2" check valve and hardware.

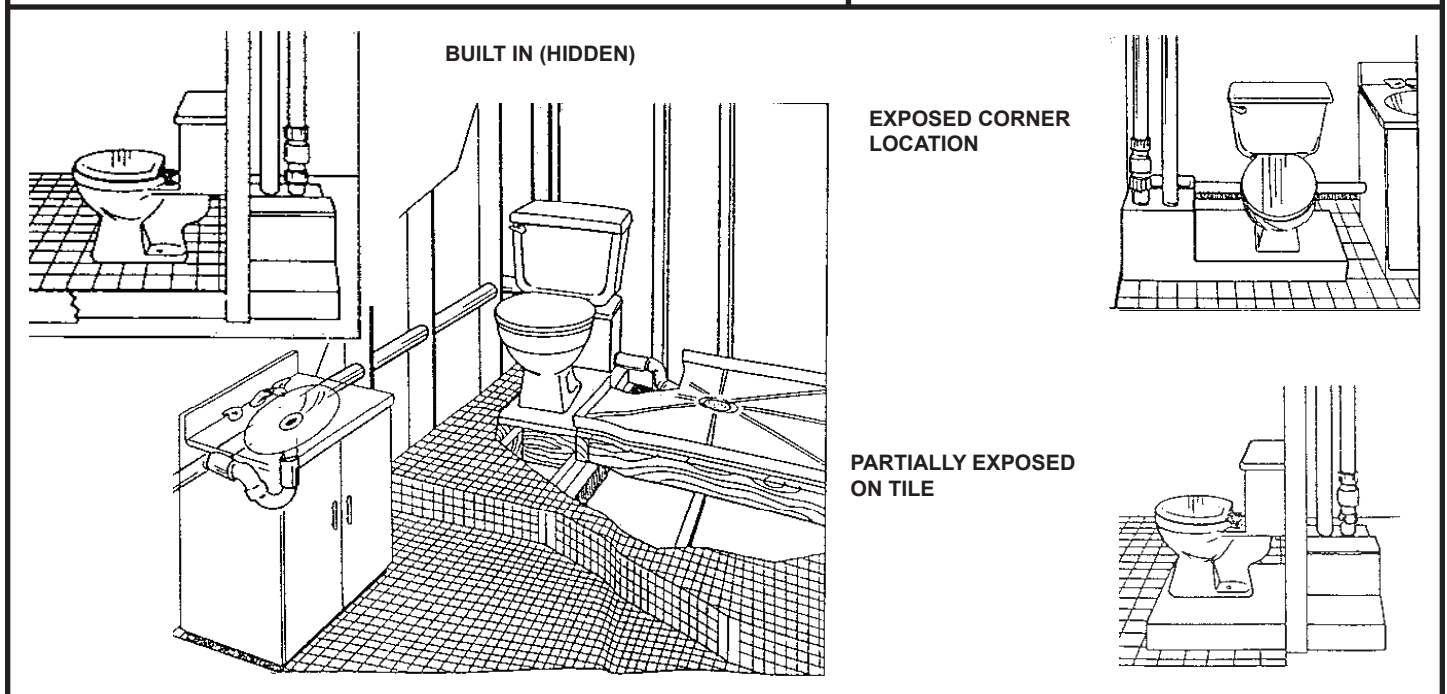
**STANDARD COLOR**..... White  
**MATERIAL** ..... Polyethylene  
**WEIGHT:** BGBSEV412 ..... 92 lbs.  
BGBSE411 ..... 102 lbs



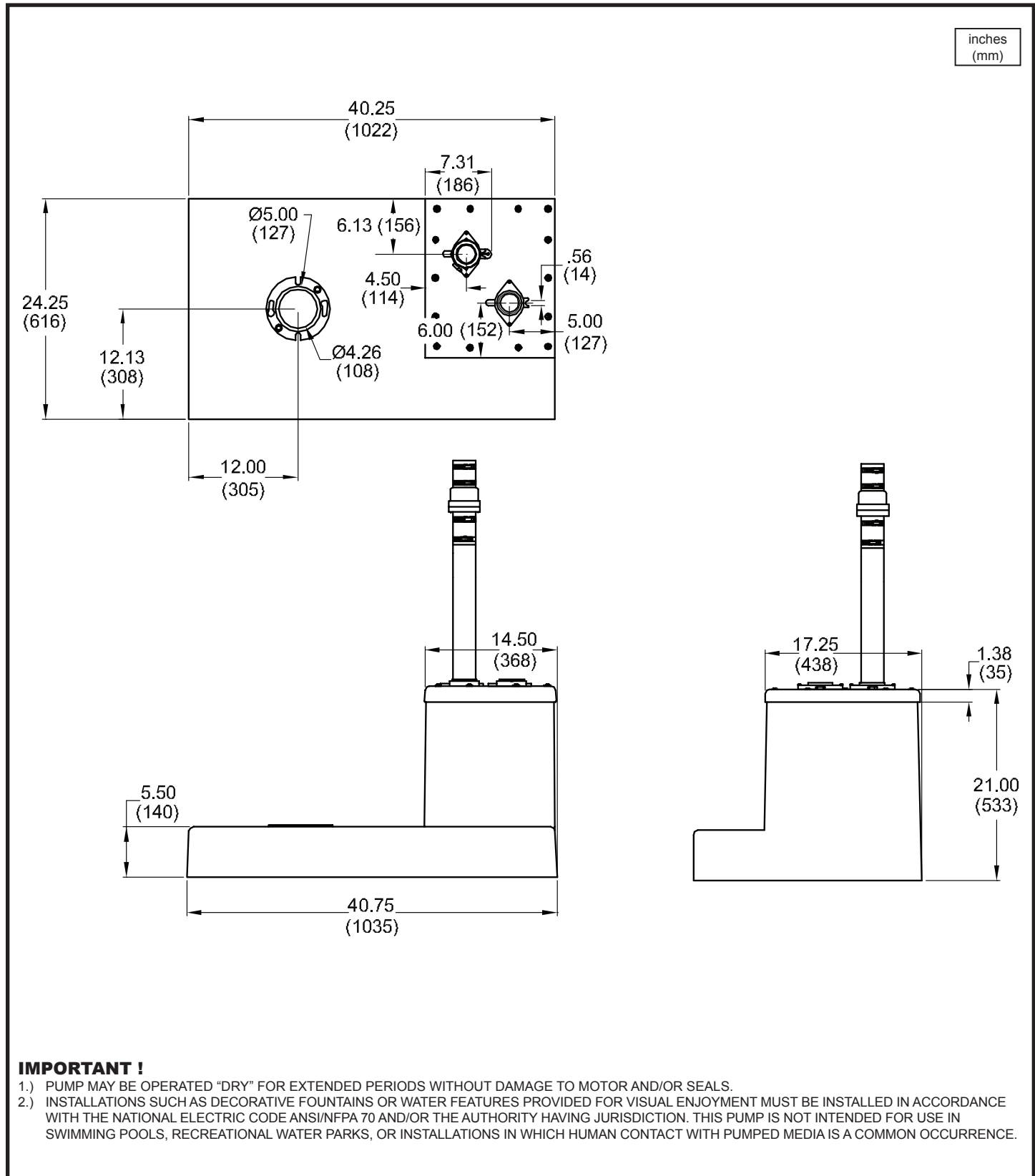
**Series: BGBSE411  
BGBSEV412**

PART NUMBER	SYSTEM MODEL NUMBER	PUMP MODEL NUMBER	PUMP PART NUMBER	SEE PUMP DATA ON PAGES:
102147	BGBSEV412	SEV412VF	101294	Sect. C Pages 5 - 6
102148	BGBSE411	SE411VF	100836	Sect. C Pages 1 - 2

See Section E for basin only.



**Submersible Non-Clog Pumps**



**IMPORTANT !**

- 1.) PUMP MAY BE OPERATED "DRY" FOR EXTENDED PERIODS WITHOUT DAMAGE TO MOTOR AND/OR SEALS.
- 2.) INSTALLATIONS SUCH AS DECORATIVE FOUNTAINS OR WATER FEATURES PROVIDED FOR VISUAL ENJOYMENT MUST BE INSTALLED IN ACCORDANCE WITH THE NATIONAL ELECTRIC CODE ANSI/NFPA 70 AND/OR THE AUTHORITY HAVING JURISDICTION. THIS PUMP IS NOT INTENDED FOR USE IN SWIMMING POOLS, RECREATIONAL WATER PARKS, OR INSTALLATIONS IN WHICH HUMAN CONTACT WITH PUMPED MEDIA IS A COMMON OCCURRENCE.