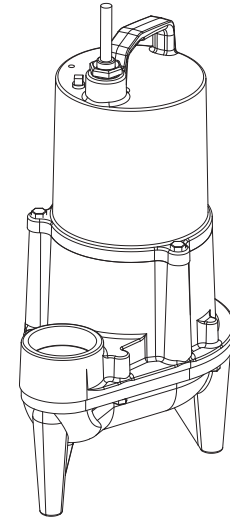


Submersible Effluent Pumps

DISCHARGE2" NPT, Female, Vertical
LIQUID TEMPERATURE77°F (25°C) Continuous
MOTOR HOUSINGCast Iron
PUMP BODYCast Iron
IMPELLER: DesignMulti-Vane, Vortex
 MaterialCast Iron
SHAFT420 Stainless Steel
O-RINGSBuna-N
HARDWARE300 Series Stainless Steel
PAINT Air Dry Enamel
SEAL: DesignSingle Mechanical, Oil Filled Reservoir
 MaterialCarbon/Ceramic/Buna-N
 Hardware -300 Series Stainless
CORD ENTRY20 ft. (6m) Cord with plug and pressure
 Grommet for sealing and strain relief
UPPER BEARINGSingle Row, Ball
LOWER BEARINGSingle Row, Ball
MOTOR: DesignOil Filled
 InsulationClass B
SINGLE PHASEPermanent Split Capacitor (PSC)
 Includes Overload Protection in Motor
LEVEL CONTROL:
 EHV412None
 EHV412AWide Angle, Mechanical, 20 ft (6m) cord
 Pipe Mounted
 EHV412VFVertical Float, PVC, Snap Action
 EHV412ATWide Angle, Mechanical, 20 ft (6m) cord
 Pump Mounted



Series: EHV
0.5 HP, 3450RPM, 60Hz



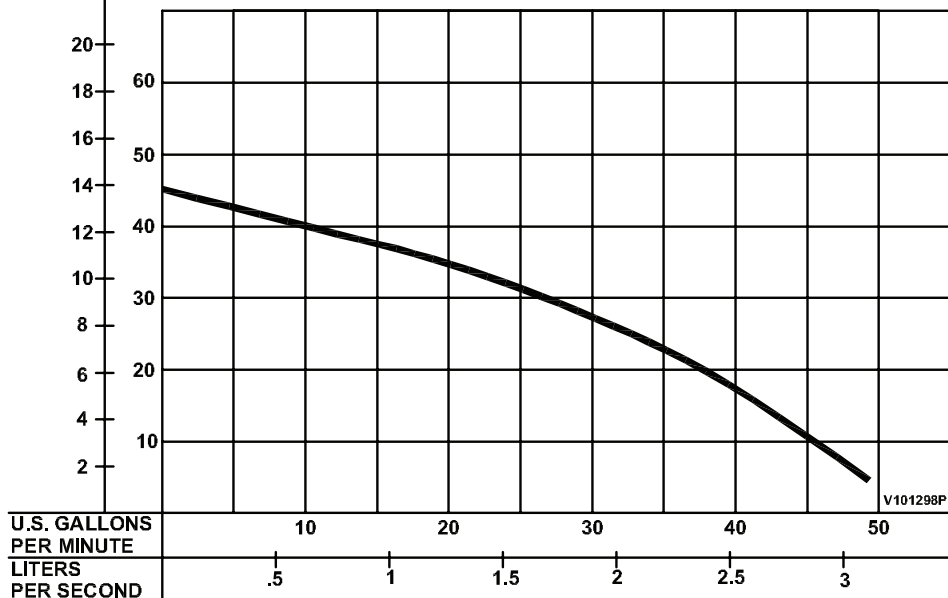
CSA 108 - File No. LR16567
 UL 778

NRTL/C

DESCRIPTION:

PUMP IS DESIGNED FOR HANDLING SEWAGE EFFLUENT IN TYPICAL SEPTIC TANK/EFFLUENT APPLICATIONS

TOTAL HEAD
METERS FEET



Testing is performed with water specific gravity of 1.0 @ 68°F (20°C), other fluids may vary performance

Series EHV

3/4" Spherical Solids Handling
Manual & Automatic

BARNES®

Professional Plumbing

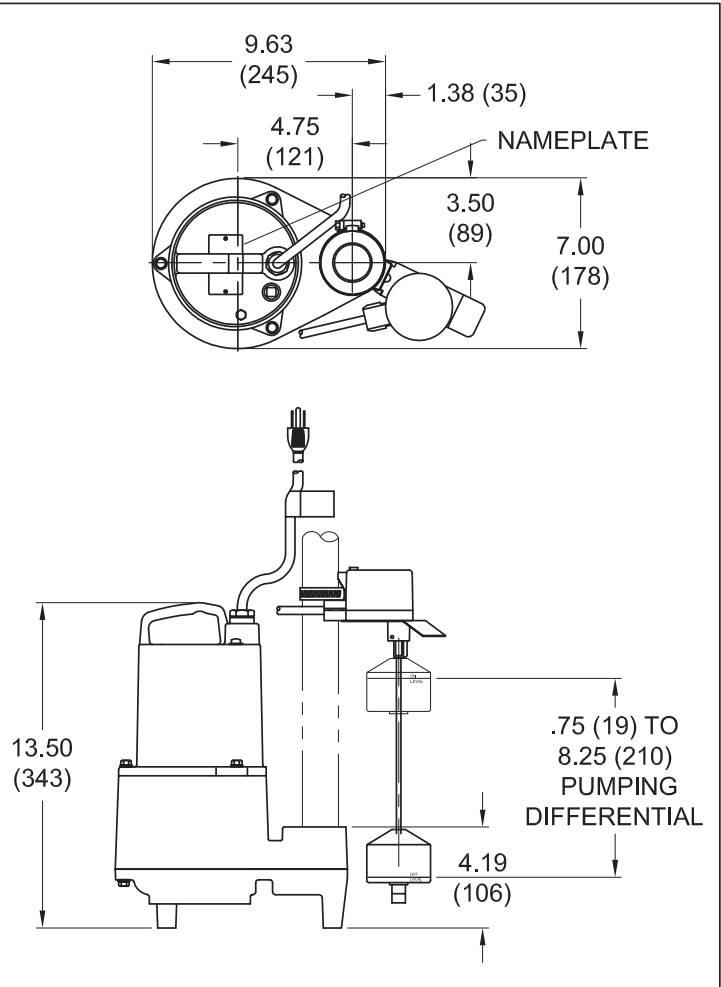
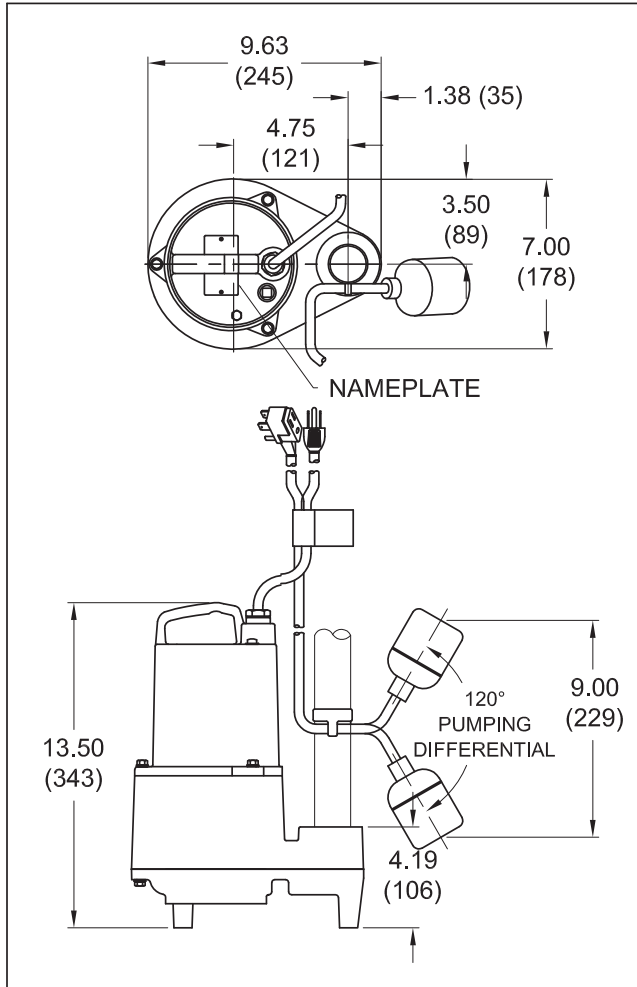
www.cranepumps.com

Submersible Effluent Pumps

EHV412A
EHV412 (Less Float)
EHV412AT (Attached to Motor Housing)

EHV412VF

inches
(mm)



MODEL NO	PART NO	HP	VOLT/PH	Hz	RPM (Nom)	NEMA START CODE	FULL LOAD AMPS	LOCKED ROTOR AMPS	CORD LENGTH	CORD SIZE	CORD TYPE
EHV412	101298	0.5	115/1	60	3450	H	6.4	19.6	20 ft. (6m)	14/3	SJTOW
EHV412A	103542	0.5	115/1	60	3450	H	6.4	19.6	20 ft. (6m)	14/3	SJTOW
EHV412VF	101300	0.5	115/1	60	3450	H	6.4	19.6	20 ft. (6m)	14/3	SJTOW
EHV412AT	103543	0.5	115/1	60	3450	H	6.4	19.6	20 ft. (6m)	14/3	SJTOW
EHV412	101298G	0.5	115/1	60	3450	H	6.4	19.6	30 ft. (9m)	14/3	SJTOW

IMPORTANT !

- 1.) PUMP MAY BE OPERATED "DRY" FOR EXTENDED PERIODS WITHOUT DAMAGE TO MOTOR AND/OR SEALS.
- 2.) INSTALLATIONS SUCH AS DECORATIVE FOUNTAINS OR WATER FEATURES PROVIDED FOR VISUAL ENJOYMENT MUST BE INSTALLED IN ACCORDANCE WITH THE NATIONAL ELECTRIC CODE ANSI/NFPA 70 AND/OR THE AUTHORITY HAVING JURISDICTION. THIS PUMP IS NOT INTENDED FOR USE IN SWIMMING POOLS, RECREATIONAL WATER PARKS, OR INSTALLATIONS IN WHICH HUMAN CONTACT WITH PUMPED MEDIA IS A COMMON OCCURRENCE.

SECTION C
PAGE 6
DATE 3/14

CRANE®

A Crane Co. Company

PUMPS & SYSTEMS

USA: (937) 778-8947 • Canada: (905) 457-6223 • International: (937) 615-3598