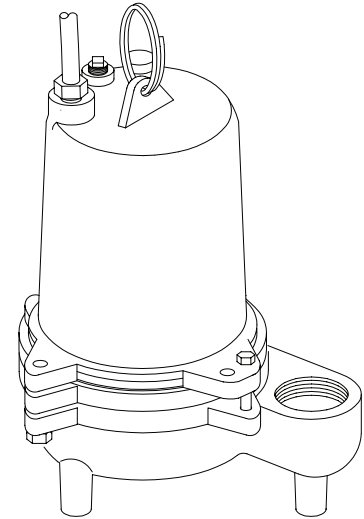


Submersible Non-Clog Pumps

DISCHARGE	2" NPT, Female, Vertical
LIQUID TEMPERATURE	SE411: 77°F (25°C) Continuous SE421: 104°F (40°C) Continuous
VOLUTE	Cast Iron ASTM A-48, Class 30
MOTOR HOUSING	Cast Iron ASTM A-48, Class 30
SEAL PLATE	Cast Iron ASTM A-48, Class 30
IMPELLER: <i>Design</i>	2 Vane, Open with pump out vanes on back side Dynamically Balanced, ISO G6.3
<i>Material</i>	Cast Iron ASTM A-48, Class 30
SHAFT	416 Stainless Steel
SQUARE RINGS	Buna-N
HARDWARE	300 Series Stainless Steel
PAINT	Air Dry Enamel
SEAL: <i>Design</i>	Single Mechanical, Oil Filled Reservoir, Secondary Exclusion Seal
<i>Material</i>	Carbon/Ceramic/Buna-N Hardware - 300 Series Stainless
CORD ENTRY	15 ft. (5m) Quick Disconnect Cord with plug On 115 Volt, Pressure Grommet for sealing and strain relief
UPPER BEARING.....	Single Row, Ball, Oil Lubricated
LOWER BEARING.....	Single Row, Ball, Oil Lubricated
MOTOR: <i>Design</i>	NEMA L Torque Curve, Oil Filled, Squirrel Cage Induction
<i>Insulation</i>	Class B
SINGLE PHASE.....	Permanent Split Capacitor (PSC) Includes Overload Protection in Motor
LEVEL CONTROL	"A" - Wide Angle, PVC, Mechanical, 15 ft (5m) cord with Piggy-Back Plug, N/O "VF" - Vertical Float, PVC, Snap Action, 15 ft (5m) cord, with Piggy-Back plug. OFF point ONLY is adjustable
OPTIONAL EQUIPMENT	Seal Material, Additional Cord



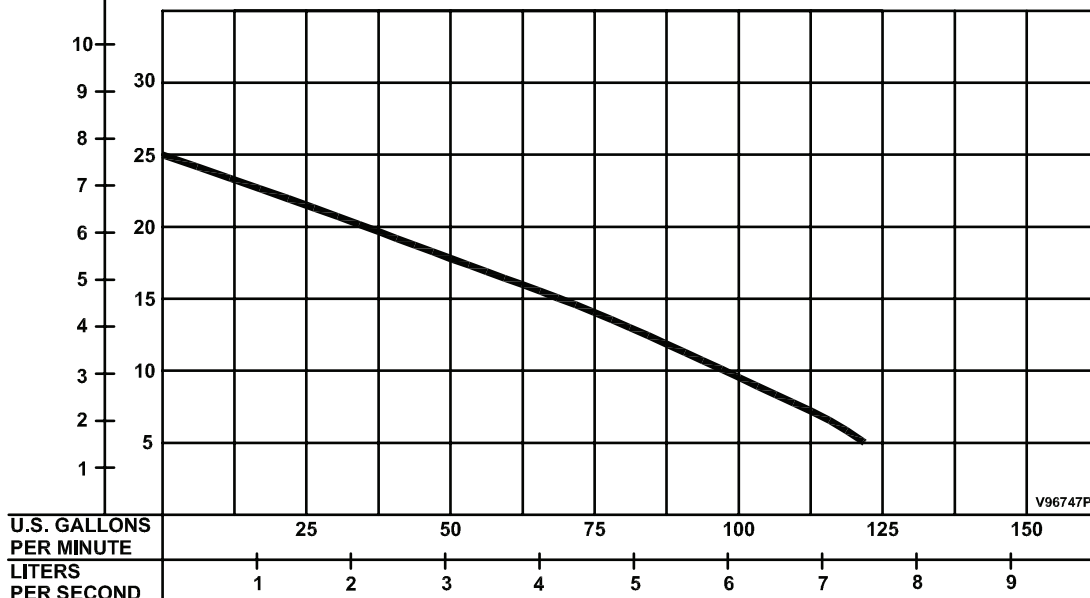
Series: SE (SE411 & SE421)
.4HP, 1750RPM, 60Hz



CSA 108
UL 778
LR16567

DESCRIPTION:
SUBMERSIBLE NON-CLOG SEWAGE PUMP DESIGNED
FOR TYPICAL RAW SEWAGE APPLICATIONS

TOTAL HEAD
METERS FEET



Testing is performed with water specific gravity of 1.0 @ 68°F (20°C), other fluids may vary performance

Series SE-411/421

2" Spherical Solids Handling
Manual & Automatic

BARNES®

Professional Plumbing

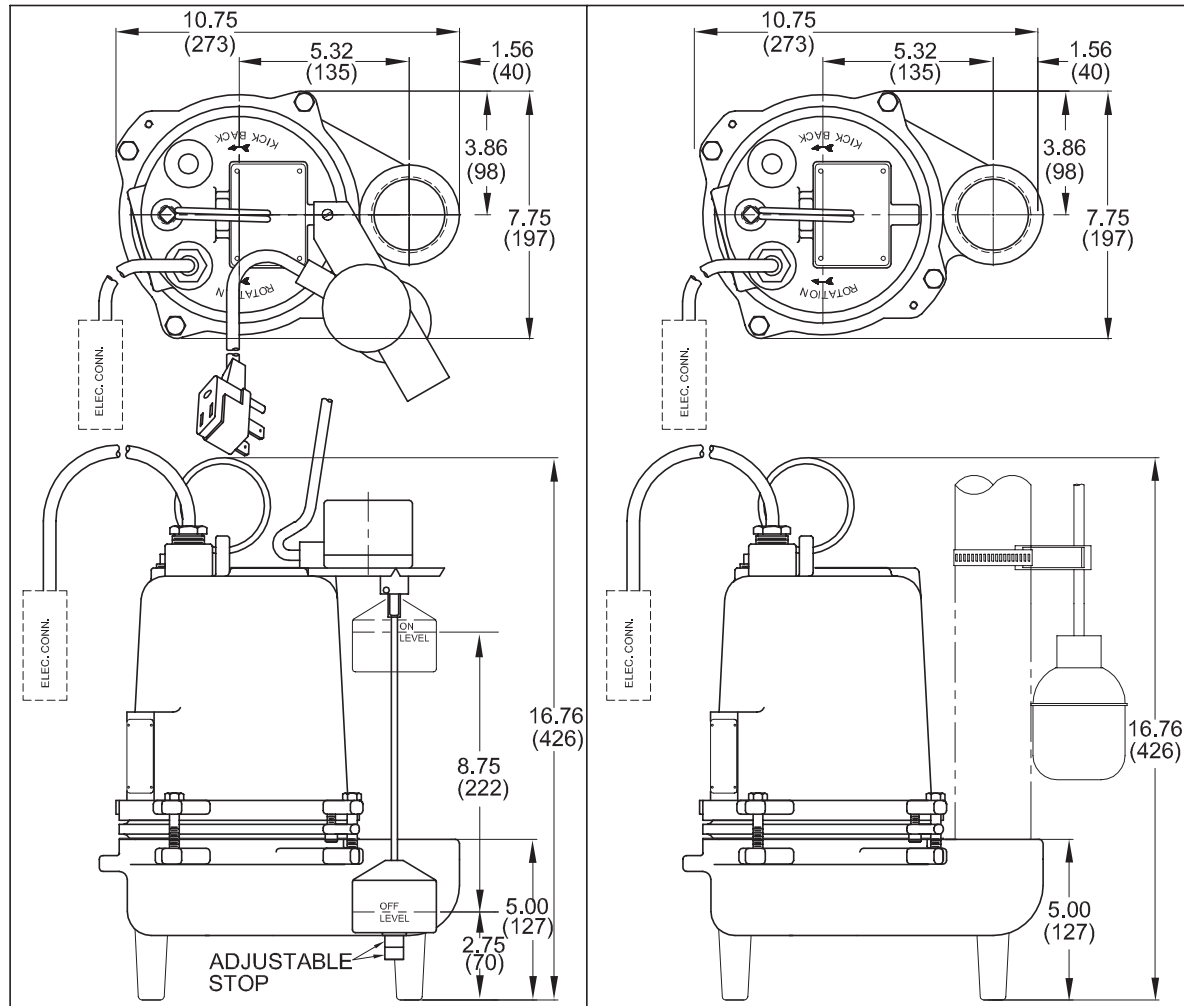
www.cranepumps.com

Submersible Non-Clog Pumps

SE411VF

SE411 & SE421 (Less Float)
SE411A

inches
(mm)



MODEL NO	PART NO	HP	VOLT/PH	Hz	RPM (Nom)	NEMA START CODE	FULL LOAD AMPS	LOCKED ROTOR AMPS	CORD SIZE	CORD TYPE	CORD O.D inch (mm)
SE411	096747	0.4	115/1	60	1750	C	12.0	19.0	14/3	SJTOW	0.375 (9.5)
SE411A	096748	0.4	115/1	60	1750	C	12.0	19.0	14/3	SJTOW	0.375 (9.5)
SE411VF	100836	0.4	115/1	60	1750	C	12.0	19.0	14/3	SJTOW	0.375 (9.5)
SE421	096750	0.4	230/1	60	1750	C	6.2	13.0	14/3	SJTOW	0.375 (9.5)

Mechanical Switch on SE-A, cord 16/2, SJOW, Piggy-Back Plug

Vertical Switch on SE-VF, cord 16/2, SJOW, 0.320 (8.1mm) O.D. Piggy-Back Plug

IMPORTANT !

- 1.) PUMP MAY BE OPERATED "DRY" FOR EXTENDED PERIODS WITHOUT DAMAGE TO MOTOR AND/OR SEALS.
- 2.) INSTALLATIONS SUCH AS DECORATIVE FOUNTAINS OR WATER FEATURES PROVIDED FOR VISUAL ENJOYMENT MUST BE INSTALLED IN ACCORDANCE WITH THE NATIONAL ELECTRIC CODE ANSI/NFPA 70 AND/OR THE AUTHORITY HAVING JURISDICTION. THIS PUMP IS NOT INTENDED FOR USE IN SWIMMING POOLS, RECREATIONAL WATER PARKS, OR INSTALLATIONS IN WHICH HUMAN CONTACT WITH PUMPED MEDIA IS A COMMON OCCURRENCE.

SECTION D
PAGE 4
DATE 3/14

CRANE®

A Crane Co. Company

PUMPS & SYSTEMS

USA: (937) 778-8947 • Canada: (905) 457-6223 • International: (937) 615-3598