



Primary A/C Sump Pump

1 HP

Energy Efficient

- High performance PSC motor uses fewer amps than most shaded pole motors

Dual Float Switch

- Caged dual float for added reliability

Industrial Strength

- Industrial-grade pump provides years of strong, dependable service

Model
BWSS1000



www.basementwatchdog.com

Watching Out for You!

Pumping Capacity

6540 GPH

4400 GPH at 10' lift

Pump Construction

**Cast Iron/
Stainless Steel**

**Dual Float
Switch**



Primary A/C Sump Pump

Pump Highlights

Energy Efficient Permanent Split Capacitor (PSC) Motor

- Save money when using a Basement Watchdog pump



Caged Dual Float

- Double the protection for added reliability
- Protective cage prevents debris or wires from interfering with float operation

Premium Components Equals Durable Construction

- Cast iron/cast aluminum construction

Strong Pumping Capacity

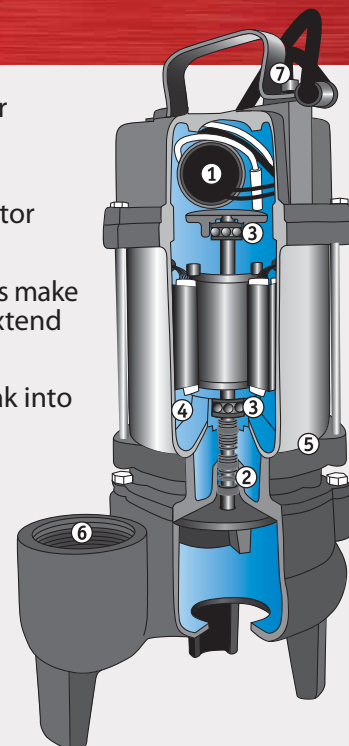
- 6540 GPH (gallons per hour) at 0' lift
- 4400 GPH at 10' lift

Specifications

Motor HP	1 HP
GPH @ 0 ft	6,540
GPH @ 10 ft	4,400
Discharge	2" / 5 cm
Amps @ 10'	3.5
Line Voltage	115 VAC, 60 Hz
Power Cord Length	10 ft.
Weight	36 lbs / 28.6 kg
Width	9" / 28.9 cm
Depth	5.9" / 22.5 cm
Height	19" / 48.3 cm
Warranty	3 years

Features

- 1 Permanent split capacitor motor increases energy efficiency
- 2 Dual seals protect the motor from unwanted water
- 3 Upper & lower ball bearings make for quiet operation and extend the life of the motor
- 4 Water cooled; no oil to leak into the water system
- 5 Cast iron/stainless steel construction
- 6 2" Inlet and discharge
- 7 Non-corroding stainless steel hardware



Consider a Backup

For added security and peace of mind, consider a Basement Watchdog Battery Backup Sump Pump System.



www.basementwatchdog.com

Watching Out for You!

