

CONSTRUCTION

- Stainless steel shaft and fasteners, for reliability long term in tough sewage applications
- Heavy-duty upper and lower ball bearings for long life and quiet operation
- 2 in. NPT discharge capable of handling 2 in. solids
- Glass-reinforced impeller for long lasting reliability
- 20 ft. SJTW power cord is oil and water resistant, with neoprene grommet for superior seal
- For use in 18 in. diameter or larger sump basins

SWITCH

- Integrated snap-action vertical float switch for automatic operation
- ON @ 13 in. / OFF @ 8 in.

SEALS

- Carbon / ceramic shaft seal for maximum life

MOTOR

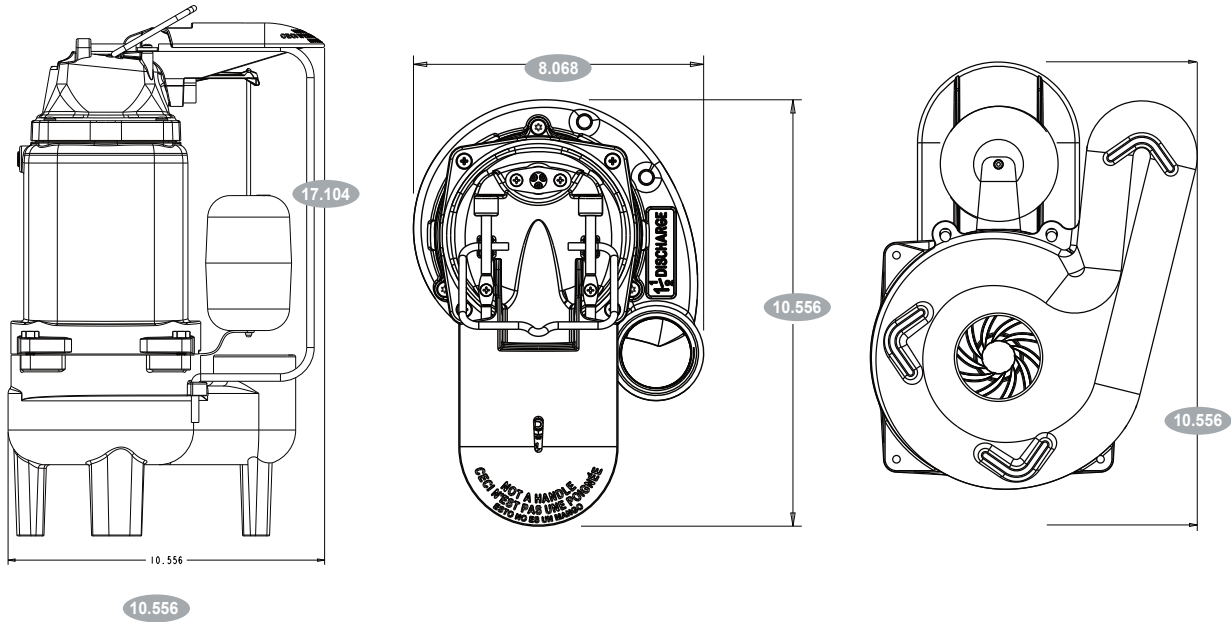
- PSC oil-filled motor, thermally protected motor prevents overheating



**1/2 HP
CAST IRON
SEWAGE PUMP**
110 GPM @ 10 FT.

1/2 HP

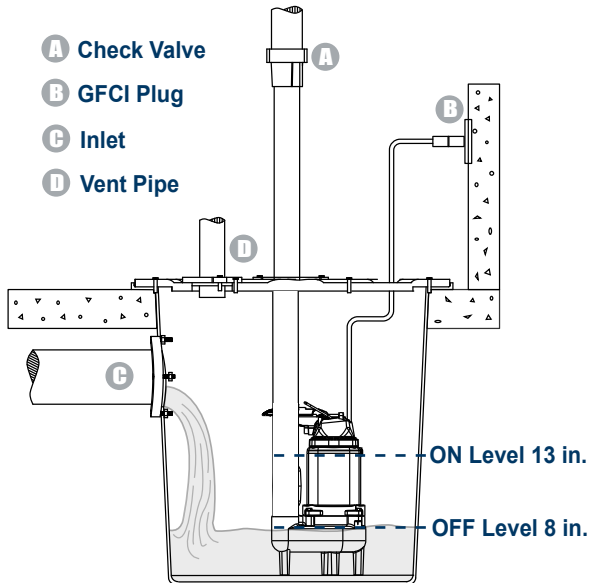
DIMENSIONAL DATA (INCHES)



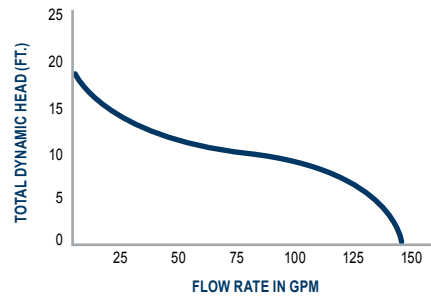
PUMP SNAPSHOT

Dimensions (in.)									
HP	Construction	Switch Type	Length	Width	Height	Weight	Volts	Footprint	Power Cord
1/2	Cast Iron	Vertical Float	10.556	8.068	17.104	38 lbs	120	11 in.	20 ft.
Impeller	Intake	Discharge	Submersible	UPC 0-40066					
Vortex	Bottom Suction	2 in. NPT	Yes	216397					

TYPICAL INSTALLATION



F50SW PERFORMANCE



Discharge Head	5 ft.	10 ft.	15 ft.	20 ft.
GPM	128	110	32	0