

# PRG-SERIES

Grinder Pump

# Liberty Pumps®

A Family and Employee Owned Company

## 1 hp

## 2" Discharge

Designed for sewage applications

Higher flow rates allow use with 2" discharge lines

Operates on standard 115 or 230V 20A circuits

### Features

- Heavy cast iron construction
- 115V or 230V 1-phase
- Patented V-Slice® Cutter Technology
- Shreds difficult solids such as feminine products, rags, towels and wipes that can jam a solids handling style pump
- Hardened stainless steel cutter and plate
- Oil-filled, thermally protected motor
- PRG-Series grinders can be used as a replacement pump in 2" discharge systems using LE40 and LE50-Series solids handling pumps.\*

*\*Consult factory with actual application and head specifications prior to replacing LE40 and LE50-Series pumps*



Patent: See [www.LibertyPumps.com/patents](http://www.LibertyPumps.com/patents)

### Models

PRG101M 115V, 12A, Manual

PRG101A 115V, 12A, Automatic, wide-angle

PRG101AV 115V, 12A, Automatic, vertical float switch

PRG102M 230V, 6A, Manual

PRG102A 230V, 6A, Automatic



Vertical Float Switch Model PRG101AV



# innovate. evolve.

# PRG-Series

**Impeller:** Cast iron, class 25

**Paint:** Powder coat

**Max Fluid Temperature:** 140°F (60°C)

**Motor:** CSCR style, class B windings, oil-filled, thermally protected

**Power Cord Type:** SJTW, Quick-connect design 10' standard length (25' optional)

**Motor Housing:** Cast iron, class 30

**Volute:** Cast iron, class 30

**Shaft:** 303 series stainless steel

**Hardware:** Stainless steel

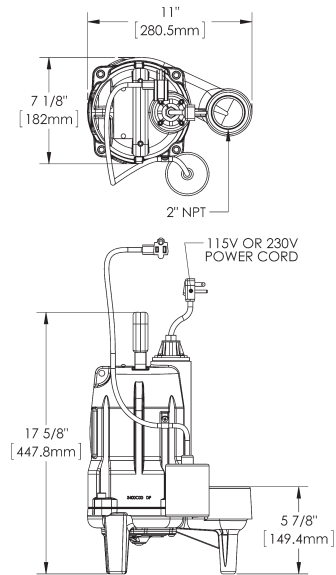
**Mechanical Shaft Seal:** Unitized silicon carbide

**Bearings:** Upper and lower ball bearings

**Cutter and Cutter Plate:** V-Slice® design of 440 Stainless Steel hardened to Rockwell 57c

**Float Switch [automatic models]:** Mechanical wide-angle float switch with series (piggyback) plug

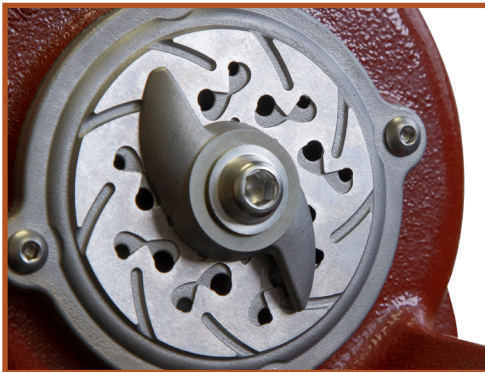
## Dimensional Data



## V-Slice® Cutter Technology

Shreds difficult solids such as feminine products, wipes, rags and other debris.

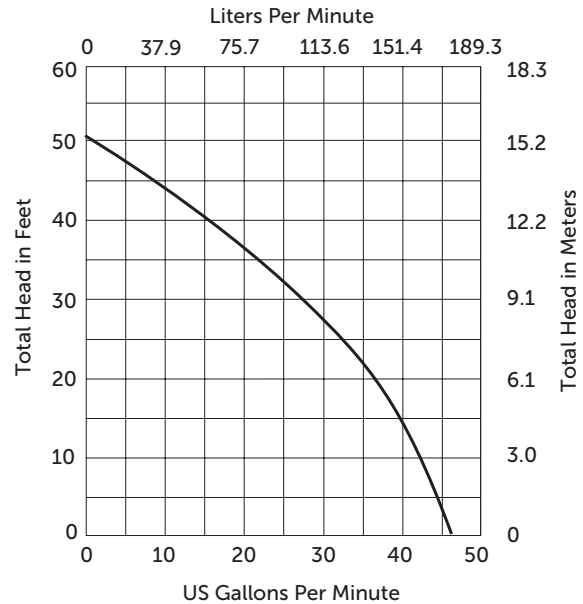
**Maximum Fluid Temperature:** 140°F (60°C)



Patent: See  
[www.LibertyPumps.com/patents](http://www.LibertyPumps.com/patents)

## Performance Curve

60 Hz, 3450 RPM



## Models

MODEL	HP	VOLTS	PHASE	Hz	AMPS	CORD LENGTH	DISCHARGE	AUTOMATIC	WEIGHT
PRG101A	1	115	1	60	12	10'	2"	Wide-Angle	58 lbs
PRG101AV	1	115	1	60	12	10'	2"	Vertical Float Switch	58 lbs
PRG101M	1	115	1	60	12	10'	2"	No	57 lbs
PRG102A	1	230	1	60	6	10'	2"	Wide-Angle	58 lbs
PRG102M	1	230	1	60	6	10'	2"	No	57 lbs

For optional 25' power cords, add a "-2" suffix to model number. Example: PRG101A-2