

SIMPLEX AND DUPLEX SYSTEMS

APPLICATIONS

Collection of sewage, effluent, drainage or seepage water

FEATURES

- Basins available in high density polyethylene structural foam [18" (46 cm), 24" (61 cm), and 30" (76 cm) dia.] or fiberglass [36" (91 cm) dia]
- Available with 4/10 hp sewage pump, 1/2 hp sewage pump, or 1 hp grinder pump
- Complete with necessary sealing hardware and flanges
- Available with 2" or 3" (51 mm or 76 mm) vent or discharge flange
- 4" inlet hub is included with the basin
- Watertight and gas-tight when properly installed
- Durable steel gasketed cover standard on simplex and duplex basins
- One-piece, seam-free construction on basin
- Duplex covers include two access plates
- Ready-to-install for simple and economical installation
- Temperature rated up to 135 °F (57.2 °C)



SERIES SPECIFICATIONS

PRE-PACKAGED SIMPLEX SYSTEMS (ASSEMBLY REQUIRED)

Package		Basin				Cover					Pump			Check Valve	
Item No.	Model	Item No.	Size	Style	Inlet Hub Included	Item No.	Style	Material	Flanges	Vent	Discharge	Item No.	Volts		HP
509044	9S-SMPX	113032	18" x 30" 46 cm x 76 cm	Structural Foam	Snap-in Vinyl Hub	113045	2-Piece	Steel	Bolt-On	2" 51 mm	2" 51 mm	509412	115	4/10	940022 2" - 51 mm
509074	9S-SMPXRT-K	113056	18" x 30" 46 cm x 76 cm	Roll Top Poly	4" Adaptaflex & Multi-tite Grommet	113057	1-Piece	Structural Foam	Slip-Fit	2" or 3" 51 or 76 mm	2" 51 mm	509412	115	4/10	940022 2" - 51 mm

Note: Other configurations are available. Please contact factory for information on package requirements not shown here. If parts are ordered separately outside the package item number, not all hardware is necessarily included to fully assemble package.

PRE-ASSEMBLED SIMPLEX SYSTEMS (READY TO INSTALL)

Package		Basin				Cover					Pump			Check Valve	Alarm	
Item No.	Model	Item No.	Size	Style	Inlet Hub Included	Item No.	Style	Material	Flanges	Vent	Discharge	Item No.	Volts			HP
509073	9S-SMPXRTA-K	113056	18" x 30" 46 cm x 76 cm	Roll Top Poly	4" Adaptaflex & Multi-tite Grommet	113057	1-Piece	Structural Foam	Slip-Fit	2" or 3" 51 mm or 76 mm	2" 51 mm	509413	115	4/10	940022 2" - 51 mm	-
509079	9S-SMPXRTA-K	113056	18" x 30" 46 cm x 76 cm	Roll Top Poly	4" Adaptaflex & Multi-tite Grommet	113057	1-Piece	Structural Foam	Slip-Fit	2" or 3" 51 mm or 76 mm	2" 51 mm	509413	115	4/10	940022 2" - 51 mm	513288 Indoor High Water
511064	10S-SMPXRT-K	113056	18" x 30" 46 cm x 76 cm	Roll Top Poly	4" Adaptaflex & Multi-tite Grommet	113057	1-Piece	Structural Foam	Slip-Fit	2" or 3" 51 mm or 76 mm	2" 51 mm	511433	115	1/2	940022 2" - 51 mm	-

Note: Other configurations are available. Please contact factory for information on package requirements not shown here. If parts are ordered separately outside the package item number, not all hardware is necessarily included to fully assemble package.

BASIN & COVER ASSEMBLIES - SIMPLEX (PUMP NOT INCLUDED)

Package		Basin				Cover					
Item No.	Model	Item No.	Size	Style	Inlet Hub Included	Item No.	Style	Material	Flanges	Vent	Discharge
513100*	BS1830CS2V2D	113030	18" x 30" 46 cm x 76 cm	Structural Foam*	Snap-in Vinyl Hub	113045	2-Piece	Steel	Bolt-On	2" 51 mm	2" 51 mm
513101	BS1830CS2V2D	113032	18" x 30" 46 cm x 76 cm	Structural Foam	Snap-in Vinyl Hub	113045	2-Piece	Steel	Bolt-On	2" 51 mm	2" 51 mm
513102	BS1830CS3V2D	113032	18" x 30" 46 cm x 76 cm	Structural Foam	Snap-in Vinyl Hub	113046	2-Piece	Steel	Bolt-On	3" 76 mm	2" 51 mm
513103	BB1830CS2V2D	113033	18" x 30" 46 cm x 76 cm	Structural Foam	Cast Iron Hub	113045	2-Piece	Steel	Bolt-On	2" 51 mm	2" 51 mm
513104	BB1830CS3V2D	113033	18" x 30" 46 cm x 76 cm	Structural Foam	Cast Iron Hub	113046	2-Piece	Steel	Bolt-On	3" 76 mm	2" 51 mm

* Inlet hole is not pre-cut

SIMPLEX AND DUPLEX SYSTEMS

SERIES SPECIFICATIONS

BASIN & COVER ASSEMBLIES - SIMPLEX SYSTEMS (PUMP NOT INCLUDED) [CONTINUED]

Package		Basin				Cover					
Item No.	Model	Item No.	Size	Style	Inlet Hub Included	Item No.	Style	Material	Flanges	Vent	Discharge
513119	BS1830CS2V2D	113032	18" x 30" 46 cm x 76 cm	Structural Foam	Snap-in Vinyl Hub	113047	1-Piece	Steel	Bolt-On	2" 51 mm	2" 51 mm
513120	BS1830CS2V3D	113033	18" x 30" 46 cm x 76 cm	Structural Foam	Cast Iron Hub	113048	2-Piece	Steel	Bolt-On	2" 51 mm	3" 76 mm
513122	BS1830CS2V3D	113032	18" x 30" 46 cm x 76 cm	Structural Foam	Snap-in Vinyl Hub	113048	2-Piece	Structural Foam	Bolt-On	2" 51 mm	3" 76 mm
513128	BB1830CS3V2D-K	113342	18" x 30" 46 cm x 76 cm	Fiberglass	Cast Iron Hub	113344	1-Piece	Steel	Slip-Fit	3" 76 mm	2" 51 mm
513240	BS1830CSRT-K	113056	18" x 30" 46 cm x 76 cm	Roll Top Poly	4" Adaptaflex & Multi-tite Grommet	113057	1-Piece	Structural Foam	Slip-Fit	2" or 3" 51 mm or 76 mm	2" or 3" 51 mm or 76 mm
513241*	BS1830CSRTNH-K	113039	18" x 30" 46 cm x 76 cm	Roll Top Poly	4" Adaptaflex & Multi-tite Grommet	113057	1-Piece	Structural Foam	Slip-Fit	2" or 3" 51 mm or 76 mm	2" or 3" 51 mm or 76 mm
513105	BB2436CS2V2D	113034	24" X 36" 61 cm x 91.4 cm	Structural Foam	Cast Iron Hub	113114	1-Piece	Cast Iron	Bolt-On	2" 51 mm	2" 51 mm
513106	BB2436CS3V2D	113034	24" X 36" 61 cm x 91.4 cm	Structural Foam	Cast Iron Hub	113115	1-Piece	Steel	Bolt-On	3" 76 mm	2" 51 mm
513107	BB2436CS2V3D	113034	24" X 36" 61 cm x 91.4 cm	Structural Foam	Cast Iron Hub	113116	1-Piece	Steel	Bolt-On	2" 51 mm	3" 76 mm
513108	BB2436CS3V3D	113034	24" X 36" 61 cm x 91.4 cm	Structural Foam	Cast Iron Hub	113117	1-Piece	Steel	Bolt-On	3" 76 mm	3" 76 mm
513144	BB3036CS2V2D	113160	30" x 36" 76 cm x 91.4 cm	Structural Foam	Cast Iron Hub	113118	1-Piece	Steel	Bolt-On	2" 51 mm	2" 51 mm
513145	BB3036CS3V2D	113160	30" x 36" 76 cm x 91.4 cm	Structural Foam	Cast Iron Hub	11310000	1-Piece	Steel	Bolt-On	3" 76 mm	2" 51 mm
513146	BB3036CS2V2D	113160	30" x 36" 76 cm x 91.4 cm	Structural Foam	Cast Iron Hub	113119	1-Piece	Steel	Bolt-On	2" 51 mm	3" 76 mm
513147	BB3036CS3V2D	113160	30" x 36" 76 cm x 91.4 cm	Structural Foam	Cast Iron Hub	11310100	1-Piece	Steel	Bolt-On	3" 76 mm	3" 76 mm

* Inlet hole is not pre-cut

PRE-PACKAGED DUPLEX SYSTEMS (ASSEMBLY REQUIRED)

Package			Basin				Cover					Pump			Check Valve	Control Panel
Item No.	Model	Item No.	Size	Style	Inlet Hub Included	Item No.	Style	Material	Vent	Dis-charge	Pump No.	Pump Volts	Pump HP			
14940697	9S-DPLX	113034	24" x 36" 61 cm x 91.4 cm	Structural Foam	Cast Iron	113099	1-Piece	Steel	2" 51 mm	2" 51 mm	509413	115	4/10	940022 2" - 51 mm	513258 1221W120H6A17A	
14940699	10S-DPLX	113034	24" x 36" 61 cm x 91.4 cm	Structural Foam	Cast Iron	113099	1-Piece	Steel	2" 51 mm	2" 51 mm	511432	115	1/2	940022 2" - 51 mm	513258 1221W120H6A17A	
509818	16G-DPLX	113160	30" x 36" 76 cm x 91.4 cm	Structural	Cast Iron	113120	1-Piece	Steel	2" 51 mm	2" 51 mm	509809	115	1	940022	513258	

Note: If parts are ordered separately outside the package item number, not all hardware is necessarily included to fully assemble package.

BASIN & COVER ASSEMBLIES - DUPLEX SYSTEMS (PUMP NOT INCLUDED)

Package		Basin				Cover					
Item No.	Model	Item No.	Size	Style	Inlet Hub Included	Item No.	Style	Material	Flanges	Vent	Discharge
513129	BB2436CD2V2D	113034	24" x 36" 61 cm x 91.4 cm	Structural Foam	Cast Iron Hub	113099	1-Piece	Steel	Bolt-On	2" 51 mm	2" 51 mm
513130	BB2436CD3V2D	113034	24" x 36" 61 cm x 91.4 cm	Structural Foam	Cast Iron Hub	113098	1-Piece	Steel	Bolt-On	3" 76 mm	2" 51 mm
513148	BB3036CS2V2D	113160	30" x 36" 76 cm x 91.4 cm	Structural Foam	Cast Iron Hub	113120	1-Piece	Steel	Bolt-On	2" 51 mm	2" 51 mm
513149	BB3036CS3V2D	113160	30" x 36" 76 cm x 91.4 cm	Structural Foam	Cast Iron Hub	113102	1-Piece	Steel	Bolt-On	3" 76 mm	2" 51 mm
513150	BB3036CD2V3D	113160	30" x 36" 76 cm x 91.4 cm	Structural Foam	Cast Iron Hub	113121	1-Piece	Steel	Bolt-On	2" 51 mm	3" 76 mm
513151	BB3036CS3V3D	113160	30" x 36" 76 cm x 91.4 cm	Structural Foam	Cast Iron Hub	113103	1-Piece	Steel	Bolt-On	3" 76 mm	3" 76 mm
513117	BB3636CD3V2D	113051	36" x 36" 91.4 cm x 91.4 cm	Fiberglass	Cast Iron Hub	113104	1-Piece	Steel	Bolt-On	3" 76 mm	2" 51 mm
513118	BB3636CD3V3D	113051	36" x 36" 91.4 cm x 91.4 cm	Fiberglass	Cast Iron Hub	113105	1-Piece	Steel	Bolt-On	3" 76 mm	3" 76 mm
513125	BB3636CD2V2D	113051	36" x 36" 91.4 cm x 91.4 cm	Fiberglass	Cast Iron Hub	113107	1-Piece	Steel	Bolt-On	2" 51 mm	2" 51 mm
513126	BB3636CS2V3D	113051	36" x 36" 91.4 cm x 91.4 cm	Fiberglass	Cast Iron Hub	113108	1-Piece	Steel	Bolt-On	2" 51 mm	3" 76 mm

Note: If parts are ordered separately outside the package item number, not all hardware is necessarily included to fully assemble package.

SIMPLEX AND DUPLEX SYSTEMS

SERIES SPECIFICATIONS

Hub kits come complete with all hardware required for installation.

HUB KITS FOR 18" (46 CM) DIA. BASINS

Item No.	Model
113072	4" vinyl hub
113073	4" cast iron hub
113077	6" cast iron hub

HUB KITS FOR 24" (61 CM) DIA. BASINS

Item No.	Model
113074	4" cast iron hub
113078	6" cast iron hub

HUB KITS FOR 30" (76 CM) DIA. BASINS

Item No.	Model
113075	4" cast iron hub

HUB KITS FOR 36" (91.4 CM) DIA. BASINS

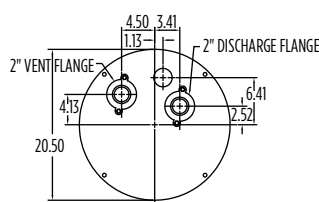
Item No.	Model
113076	4" vinyl hub
113081	8" cast iron hub

FIBERGLASS BASIN RISERS/EXTENSIONS

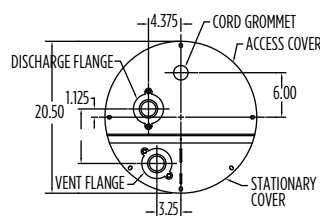
Item No.	Dimensions
115587	24"x6"
115588	24"x12"
115589	24"x18"
115590	24"x24"
115584	36"x12"
115585	36"x18"
115586	36"x24"

ENGINEERING DATA

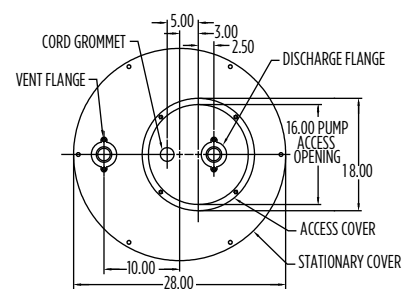
18" X 30" COVER



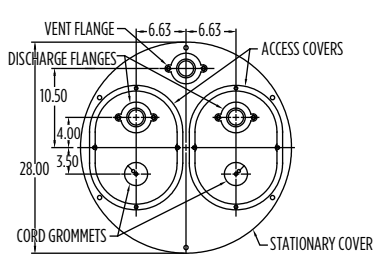
18" X 30" COVER



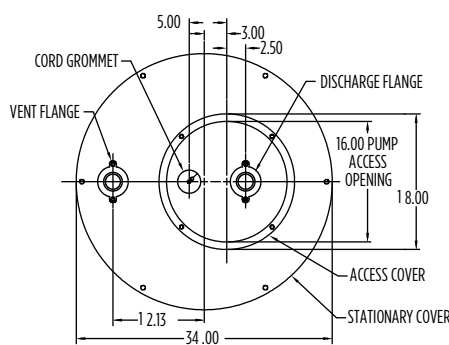
24" X 36" SIMPLEX COVER



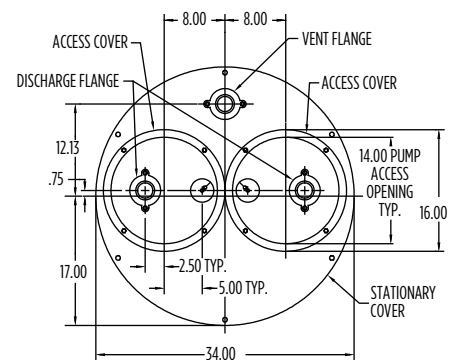
24" X 36" DUPLEX COVER



30" X 36" SIMPLEX COVER



30" X 36" DUPLEX COVER

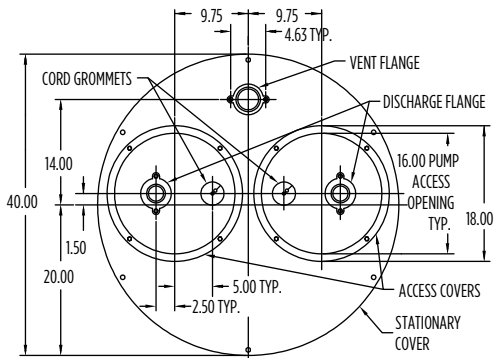


PACKAGE SYSTEMS

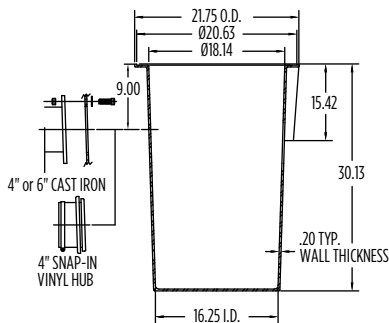
SIMPLEX AND DUPLEX SYSTEMS

ENGINEERING DATA

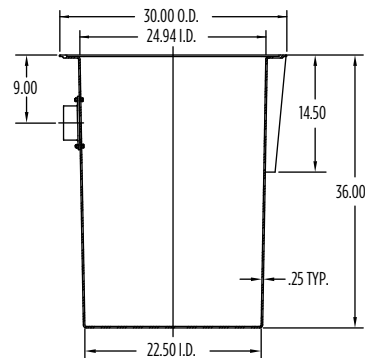
36" X 36" DUPLEX COVER



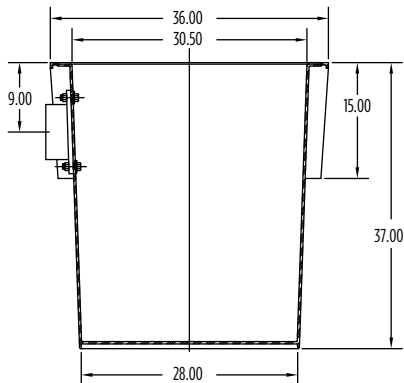
18" X 30" BASIN



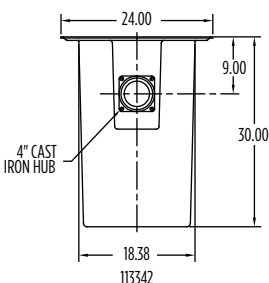
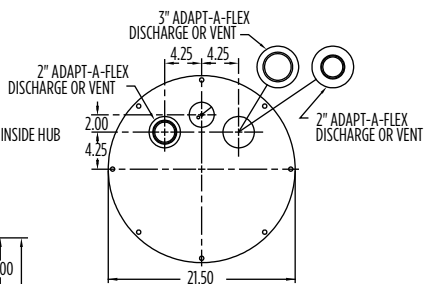
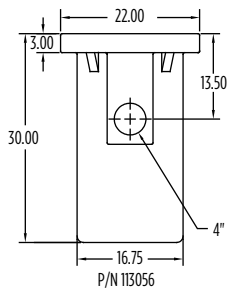
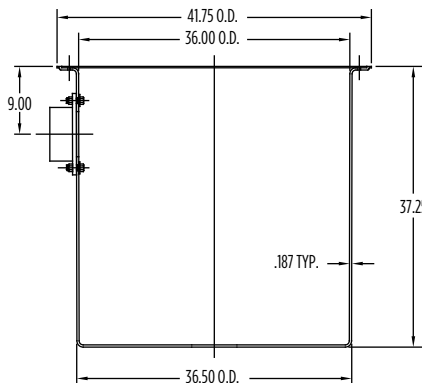
24" X 30" BASIN



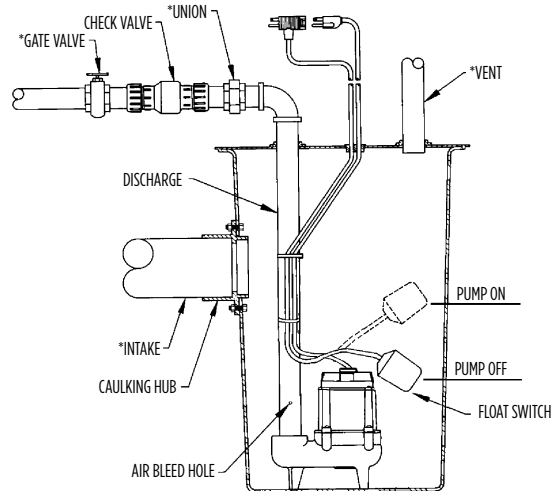
30" X 36" BASIN



36" X 36" BASIN



TYPICAL INSTALLATION



*PIPING NOT INCLUDED WITH PACKAGE