

6 SERIES - 1/3 HP



APPLICATIONS

Basement sumps, dewatering, water transfer

FEATURES

- Shaded pole motor with thermal overload protection
- Designed for continuous duty
- Oil-filled cast iron or cast bronze motor housing for an increased corrosion resistance option in brackish water
- PVC riser legs (506162 only)
- 1-1/2" FNPT discharge
- 1-1/4" FNPT reducer bushing included with select models
- 3/4" GHT garden hose adapter included with select models
- cCSAus listed (115 V models only)



SERIES SPECIFICATIONS

Volts	Hz	Amps		Watts	Performance (GPM @ Height in Feet)			Shut-Off (ft)	PSI
		FLA	Start		5'	10'	15'		
115	50/60	9.0	14.3	720	46	29	12.5	18	7.8

Item No.	Model	HP	Volts	Switch Type/ Operation	On Level	Off Level	Cord	Weight
506158	6-CIA	1/3	115	Integral Diaphragm	7" - 10" 17.8 cm - 25.4 cm	1" - 4" 2.5 cm - 10.2 cm	10' 3 m	18 lbs 8.16 Kg
***506160	6-CIA-ML	1/3	115	Integral Diaphragm	4" - 7" 10.2 cm - 17.8 cm	1-1/2" - 3-1/2" 3.8 cm - 8.9 cm	10' 3 m	18 lbs 8.16 kg
*506162	6-CIA	1/3	115	Integral Diaphragm	10" - 13" 25.4 cm - 33.02 cm	4" - 7" 10.2 cm - 17.8 cm	10' 3 m	18.5 lbs 8.39 Kg
506125	6-CIA	1/3	115	Integral Diaphragm	7" - 10" 17.8 cm - 25.4 cm	1" - 4" 2.5 cm - 10.2 cm	25' 7.6 m	19.5 lbs 8.85 kg
506357	6-CBA	1/3	115	Integral Diaphragm	7" - 10" 17.8 cm - 25.4 cm	1" - 4" 2.5 cm - 10.2 cm	10' 3 m	19.25 lbs 8.73 Kg
*506164	6-CIA	1/3	115	Integral Diaphragm	10" - 13" 25.4 cm - 33.02 cm	4" - 7" 10.2 cm - 17.8 cm	25' 7.6 m	20 lbs 9.07 Kg
506171	6-CIA-RFS	1/3	115	Piggyback Mechanical Float	9.5" - 11.5" 24.1 cm - 29.2 cm	1" - 4" 2.5 cm - 10.2 cm	10' 3 m	17.75 lbs 8.05 Kg
506267	6-CIA-RS	1/3	115	Piggyback Diaphragm	7" - 10" 17.8 cm - 25.4 cm	3" - 5" 7.6 cm - 12.7 cm	10' 3 m	17.5 lbs 7.94 Kg
**506271	6-CIM-R	1/3	115	Manual	-	-	10' 3 m	16.5 lbs 7.48 Kg
***506274	6-CIM-R	1/3	115	Manual	-	-	25' 7.6 m	18 lbs 8.16 Kg
506257	6-CBM	1/3	115	Manual	-	-	10' 3 m	17.75 lbs 8.05 Kg

* Leg kit included

** 1-1/4" FNPT reducer bushing and 3/4" GHT garden hose adapter included

***Not recommended for standard sump systems. Intended for use only with the Drainsaur WRSC system or other small sump basins with an operational depth of less than 10 inches.



SUMP PUMP SWITCH REPAIR KIT

APPLICATIONS

- Switch repair kit

FEATURES

- Includes pressure switch bracket assembly, screw, diaphragm, and O-ring

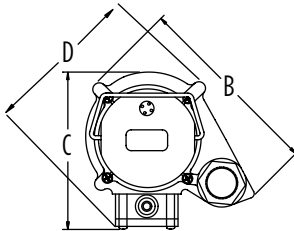
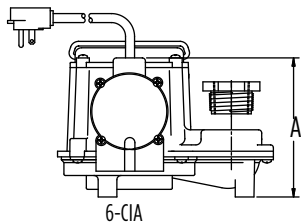
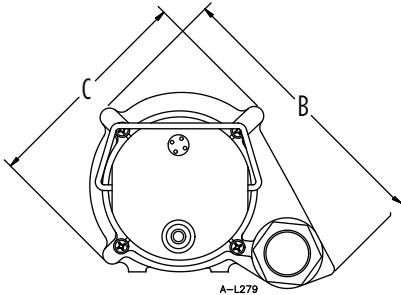
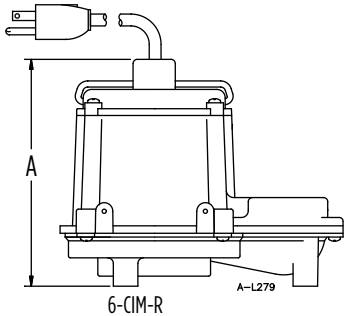


Item No.	Model	Volts	Housing
599300	SPRK-1	6-CIA and 6-CBA	✓
599310	SPRK-1-ML	6-CIA-ML (used in WRSC-6)	✓
599320	SPRK-2	6-CIA and 6-CBA	-
599314	SPRK-2-ML	6-CIA-ML (used in WRSC-6)	-

SUMP PUMPS

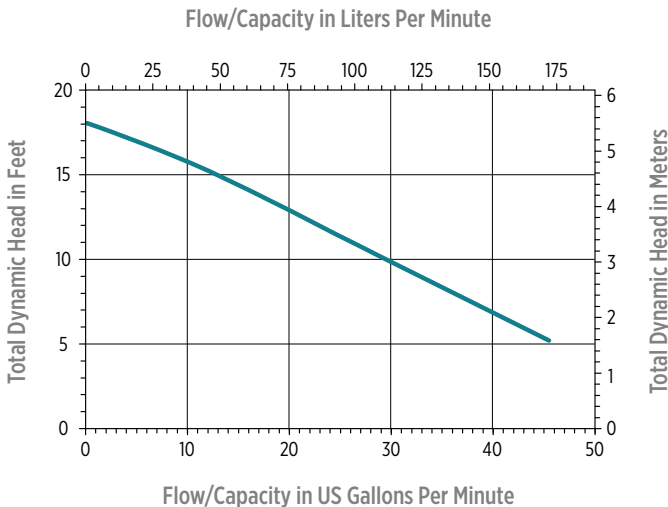
6 SERIES - 1/3 HP

ENGINEERING DATA



Model	A	B	C	D
6-CIM-R, 6-CIA-RFS, 6-CIA-RF, 6-CIM, and 6-CBM	7.25" 18.42 cm	9.5" 24.13 cm	7.2" 18.29 cm	-
6-CIA and 6-CBA	6" 15.24 cm	9.5" 24.13 cm	8.5" 21.59 cm	8.2" 20.83 cm

PERFORMANCE DATA



CONSTRUCTION

Motor Housing	Epoxy-coated cast iron or epoxy impregnated cast bronze
Impeller Material	Nylon
Impeller Type	Non-clog
Volute	Polypropylene
Motor Shaft	CRS
Mechanical Shaft Seal	Nitrile with carbon and ceramic faces
Fasteners	Stainless steel
Bearings	Upper: Sintered iron/copper, flanged sleeve Lower: Sintered iron/copper, flanged steel
Power Cord	18-3, SJTW

