

## BSWC50 SERIES - 1/2 HP

### APPLICATIONS

- Sewage or seepage wastewater removal especially for new builder installations

### FEATURES

- All cast iron construction – Sturdy design for cooling and long life
- Oil Filled PSC motor – Provides plenty of power and efficiency
- 2" solids handling capability - Sewage and wastewater applications
- Upper and lower ball bearings – Provides quiet and robust operation
- 95°F (35°C) liquid temperature rating - Gives application flexibility
- cCSAus
- 2" FNPT discharge



BSWC50T



### SERIES SPECIFICATIONS

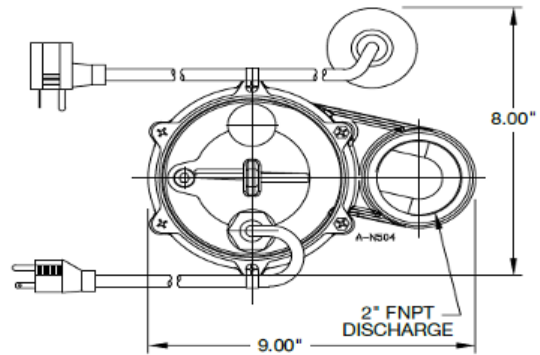
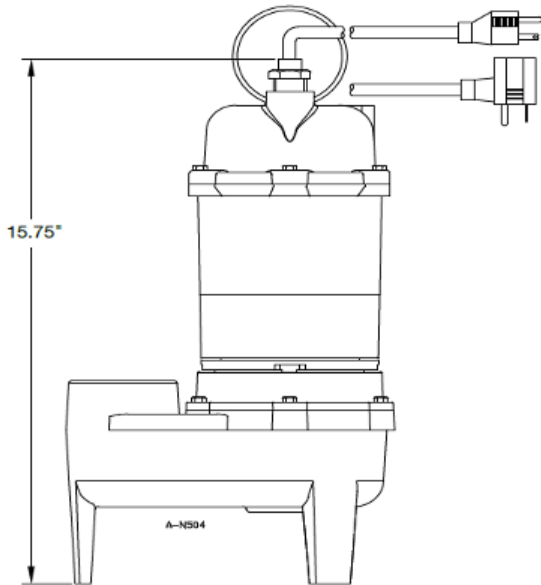
Model	HP	Volts	Hz	Amps	Watts	Max. Water Temp.	GPM / Liters per Minute @ Height			Shut-Off	
							5' 1.5 m*	10' 3 m	15' 4.6 m	ft / m	PSI / Bar
BSWC50T	1/2	115	60	9	950	95°F (35°C)	82/310	57/216	28/106	22/6.7m	9.5/0.66

Item No.	Model	HP	Volts	Switch Type / Operation	On Level	Off Level	Cord	Weight (lbs/kg)
511256	BSWC50T	1/2	115	Piggyback Tethered Mechanical Float	16.5"-18.5"/41.9 cm-47.0 cm	6.5"-8.5"/16.5 cm-21.6 cm	10'	33/14.0
511257							30'	36/16.3

# SEWAGE PUMPS

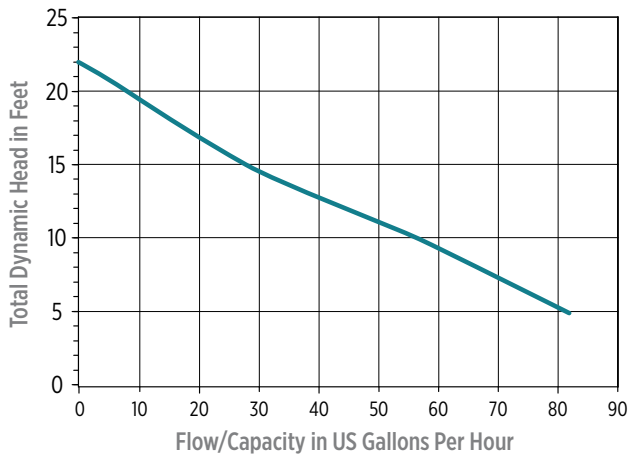
## BSWC50 SERIES - 1/2 HP

### ENGINEERING DATA



### PERFORMANCE DATA

Sump/Effluent Pump Composite Performance Curves



### CONSTRUCTION

<b>Cover</b>	Epoxy Coated Cast Iron
<b>Motor Housing</b>	Epoxy Coated Cast Iron
<b>Impeller Design</b>	Vortex
<b>Impeller Material</b>	Epoxy Coated Cast Iron
<b>Volute</b>	Epoxy Coated Cast Iron
<b>Mechanical Shaft Seal</b>	Carbon/Ceramic/Nitrile
<b>Fasteners</b>	Stainless Steel
<b>Shaft</b>	Stainless Steel
<b>Bearings</b>	Upper and Lower Ball Bearings
<b>Power Cord</b>	SJTW