

DUPLEX GRINDER PACKAGES

APPLICATIONS

Low pressure sewer applications, sewage wastewater transfer for light commercial or residential applications

FEATURES

PUMP FEATURES

- Two powerful 2 hp single-phase, 3450 rpm with capacitor start/run motor with built-in overload protection to prevent over-current and over-temperature damage
- High starting torque motor to handle the demands of grinding domestic sewage
- Epoxy-coated cast iron finish for corrosion resistance and durability
- Designed with a seven-vane, angled face, non-clogging, balanced brass impeller
- Tight cutting clearances for superior cutting action, grinding 414,000 cuts per minute

SYSTEM FEATURES

- Two cast iron ball check valves
- Control panel with integral pump starting components
- Four control float switches
- Stainless steel float bracket
- Junction box
- Basins are heavy-duty fiberglass material. Duplex basins are 36" and 48" diameter, and are available in 48", 60", 72", 84", 96", 108", and 120" depths
- 4" Adapt-A-Flex inlet grommet
- Solid fiberglass cover, stainless steel rail system with sealing flange, discharge pipe disconnect, stainless steel lifting chain, ball check valve, and shut-off valve
- Easy-to-follow installation instructions



SERIES SPECIFICATIONS

DUPLEX GRINDER PACKAGE SYSTEM**

Item No.	Model	Size	Height	Basin		
				Discharge Center Line (Installed from top)	Style	Description
520840	GP-DPLX3648	36" x 48" 91.4 cm x 121.9 cm	48" 121.9 cm	12" 30.5 cm	Fiberglass	BS3648FG
520841	GP-DPLX3660	36" x 60" 91.4 cm x 152.4 cm	60" 152.4 cm	36" 91.4 cm	Fiberglass	BS3660FG
520842	GP-DPLX3672	36" x 72" 91.4 cm x 182.9 cm	72" 182.9 cm	36" 91.4 cm	Fiberglass	BS3672FG
520843	GP-DPLX3684	36" x 84" 91.4 cm x 213.4 cm	84" 213.4 cm	36" 91.4 cm	Fiberglass	BS3684FG
520844	GP-DPLX3696	36" x 96" 91.4 cm x 243.8 cm	96" 243.8 cm	36" 91.4 cm	Fiberglass	BS3696FG
520845	GP-DPLX36108	36" x 108" 91.4 cm x 274.3 cm	108" 274.3 cm	48" 121.9 cm	Fiberglass	BS36108FG
520846	GP-DPLX36120	36" x 120" 91.4 cm x 304.8 cm	120" 304.8 cm	48" 121.9 cm	Fiberglass	BS36120FG
520849	GP-DPLX4848	48" x 48" 121.9 cm x 121.9 cm	48" 121.9 cm	12" 30.5 cm	Fiberglass	BS4848FG

** Multiple Grinder Package configurations and Basin/Cover assemblies available. Please call 1.866.271.2859 for information on additional package specifications not shown here.

PUMPS

Item No.	Model	Volts
520862	GP-M231-15	208-230

CONTROL PANEL

Item No.	Model	Volts
513355	1026540	208/230

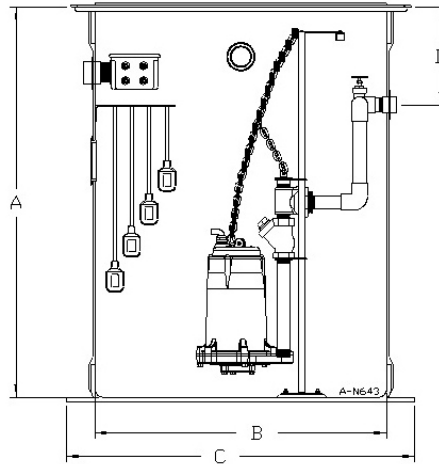
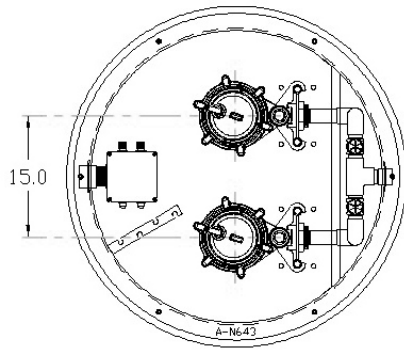
CONTROL FLOATS

Item No.	Model	Volts
950266	CFSW	115/230

GRINDER PACKAGES

DUPLEX GRINDER PACKAGES

ENGINEERING DATA



Item No.	Model	A	B	C	D
520840	GP-DPLX3648	48" 122 cm	36" 91.44 cm	43" 109.22 cm	12" 30.48 cm
520841	GP-DPLX3660	60" 152.4 cm	36" 91.44 cm	43" 109.22 cm	36" 91.44 cm
520842	GP-DPLX3672	72" 182.88 cm	36" 91.44 cm	43" 109.22 cm	36" 91.44 cm
520843	GP-DPLX3684	84" 213.36 cm	36" 91.44 cm	43" 109.22 cm	36" 91.44 cm
520844	GP-DPLX3696	96" 243.8 cm	36" 91.44 cm	43" 109.22 cm	36" 91.44 cm
520845	GP-DPLX36108	108" 274.3 cm	36" 91.44 cm	43" 109.22 cm	48" 121.92 cm
520846	GP-DPLX36120	120" 304.8 cm	36" 91.44 cm	43" 109.22 cm	48" 121.92 cm
520849	GP-DPLX4848	48" 121.9 cm	48" 121.92 cm	55" 139.7 cm	12" 30.48 cm

PUMP PERFORMANCE DATA

