

WCR Series

The WCR water collection removal basin is designed for use in residential applications to collect surface drainage and divert it away from structures, erosion-poor landscapes, and poor drainage areas. The cover is not suitable for heavy traffic load. Locate the basin in low spots in landscaping that anticipate rainfall.

The basin inlet is designed to fit a 4-inch perforated PVC pipe. The outlet can be routed to street curbs or other runoff areas. Install the basin so the cover is flush or above surface level.

This product is covered by a Limited Warranty for a period of 3 years from the date of original purchase by the consumer. For complete warranty information, refer to www.LittleGiant.com.



Specifications

| Model | Cover | Discharge inches (mm) | Pump HP | Check Valve | Volts |
|----------|----------------|-----------------------|---------|----------------|-------|
| WCR-16GP | Structure Foam | 2 (51) | 1 | 2" Slip x Slip | 115 |
| WCR-9SP | | | 4/10 | | |
| WCR-9SS | Steel | | | | |

SAFETY INSTRUCTIONS

This equipment should be installed and serviced by technically qualified personnel who are familiar with the correct selection and use of appropriate tools, equipment, and procedures. Failure to comply with national and local electrical and plumbing codes and within Little Giant recommendations may result in electrical shock or fire hazard, unsatisfactory performance, or equipment failure.

Know the product's application, limitations, and potential hazards. Read and follow instructions carefully to avoid injury and property damage. Do not disassemble or repair unit unless described in this manual.

Failure to follow installation or operation procedures and all applicable codes may result in the following hazards:

⚠ WARNING

⚡ Risk of severe injury or death by electrical shock.

- Check local electrical and building codes before installation. The installation must be in accordance with their regulations as well as the most recent National Electrical Code (NEC) and the Occupational Safety and Health Act (OSHA).
- Do not use the power cord for lifting the unit.

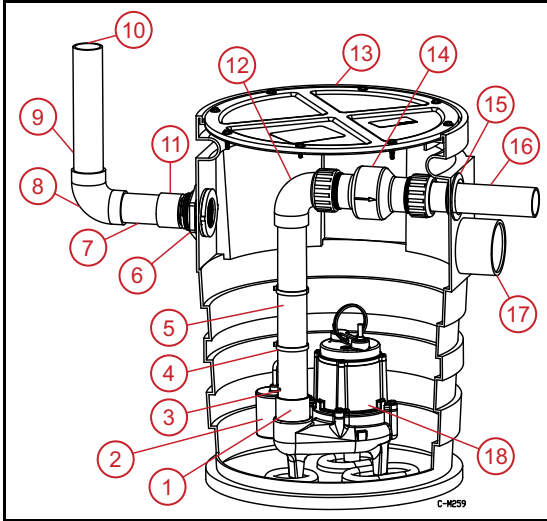
⚠ CAUTION

⚡ ⚠ Risk of bodily injury, electric shock, or equipment damage.

- This equipment must not be used by children or persons with reduced physical, sensory or mental abilities, or lacking in experience and expertise, unless supervised or instructed. Children may not use the equipment, nor may they play with the unit or in the immediate vicinity.
- Operation of this equipment requires detailed installation and operation instructions provided in this manual for use with this product. Read entire manual before starting installation and operation. End User should receive and retain manual for future use. Keep safety labels clean and in good condition. Keep work area clean, well-lit, and uncluttered.

INSTALLATION

Typical Installation



- | | | | | | | | |
|---|----------------|----|---|----|-----------------|----|------------------------|
| 1 | 2" adapter | 6 | Washers | 11 | 2" adapter | 16 | 10" PVC pipe |
| 2 | Pump float | 7 | 5" PVC pipe | 12 | 2" street elbow | 17 | 4" intake |
| 3 | Air bleed hole | 8 | 2" elbow | 13 | Cover | 18 | 9SC-CIA-RF pump 509412 |
| 4 | Ty-Rap | 9 | 11" PVC pipe | 14 | Check valve | | |
| 5 | 17" PVC pipe | 10 | Pump power cord and float cord to exit here | 15 | 2" grommet | | |

Physical Installation

1. Remove bolts and washers from pump access cover and set cover aside.
2. Remove gasket material from hardware kit.
3. Place pump in the basin in the torque indentations.
 - Ensure pump is on a flat surface so the cover is flush or above surface level.

Discharge Plumbing

1. Install float switch 4 inches above pump discharge with a 3-1/2-inch tether length.
 - Float switch should not contact the pump or side of basin during operation.
 - Refer to float switch instruction sheet for alternative settings.
2. Drill 3/16-inch air bleed hole approximately 2 to 3 inches above the volute.
3. Secure with Ty-Rap approximately 4 inches above pump discharge with a 3-1/2-inch tether length.
4. Install 90° street elbow.
5. Install check valve hinged end up.
6. Press the 2-inch grommet in the discharge hole.
 - Lube the grommet and discharge pipe with dish washing liquid for easier installation.

Vent Plumbing

1. Assemble rubber washer inside tank and plastic washer on outside of tank.
2. Install 2-inch bulkhead fitting, PVC conduit, and elbow.
 - Use only adequate primers and solvent cements for PVC pipe.
 - Use the provided 2-inch PVC Schedule 40 conduit to bring the power and switch cords safely above ground or to a depth of at least 18 inches below surface.

IMPORTANT: Cords are not intended for direct burial. Improper connection voids the warranty.

Intake Plumbing

1. Install a 4-inch perforated PVC pipe to channel drainage into the basin.
 - Clean this pipe regularly to prevent build-ups and clogging.
2. Secure lid to the basin using provided bolts and washers.

Operation

1. Plug in the unit and run water into basin until unit switches on.
2. If unit does not operate, refer to troubleshooting information in pump's instruction sheet.

REPLACEMENT PARTS

| Part Number | Description | Quantity | |
|-------------|---|----------|---|
| 113095 | Basin, 20 x 30 inches | 1 | |
| 509412 | Pump, 9SC-CIA-RF | | |
| 113003 | 12 Gauge steel cover with hardware kit | | |
| 113002 | Structural foam cover with hardware kit | | |
| 113005 | Hardware kit for steel cover | | |
| 113006 | Hardware kit for structural foam cover | | |
| 940022 | Check valve, 2 inches | | |
| 944663 | Pipe, 11-inch conduit, PVC | | |
| 944603 | Pipe, 5-inch conduit, PVC | | |
| 944654 | Pipe, 17-inch discharge, PVC | | |
| 944653 | Pipe, 10-inch discharge, PVC | | |
| 943181 | Elbow, 90°, PVC | | |
| 941181 | Adapter, 2-inch slip, PVC | | 2 |
| 566257 | Adapter, 2-inch bulkhead | | 1 |
| 943192 | Elbow, 90° street | | |
| 925033 | Grommet, 2 inches | | |
| 509810 | 16G-F151020 | | |



For technical assistance, parts, or repair, please contact:

800.701.7894 | **littlegiant.com**

987363 Rev. 004 08/22

LittleGIANT[®]
Franklin Electric Co., Inc. | Oklahoma City, OK 73157-2010
Copyright © 2022, Franklin Electric, Co., Inc. All rights reserved.