

WCR SERIES WATER COLLECTION & REMOVAL SYSTEMS



APPLICATIONS

Collection of sewage, effluent, drainage or seepage water where concealed routing of plumbing and cables is desired

FEATURES

- Pre-packaged 20" x 30" (51 cm x 76 cm) polyethylene basin with 4/10 hp sewage pump or 1 hp grinder
- Handles up to 2" (51 mm) solids
- Options of structural foam or steel covers
- Includes schedule 40 PVC discharge piping with pre-drilled air-bleed hole
- Designed with side outlets for discharge and electrical cords
- Includes 2" (51 mm) bulkhead fitting to easily route power cords out of basin
- Once installed, no digging required for system servicing
- Molded inlet hub, anti-torque stops, and 360° lifting handle
- Radial rib design for extra strength
- Integrated anti-floatation collar



SERIES SPECIFICATIONS

Item No.	Model	Pump HP	Discharge	Check Valve	Cover	Volts	Pump Performance	Weight	Pump Item No.	Pump Model
509081	WCR-9SP	4/10	2" / 51 mm	2" Slip x Slip	Structural Foam	115	110 gpm @ 5' / 416.4 lpm @ 1.5 m	65 lbs / 29.5 kg	509412	9SC-CIA-RF
509082	WCR-9SS	4/10	2" / 51 mm	2" Slip x Slip	Steel*	115	110 gpm @ 5' / 416.4 lpm @ 1.5 m	69 lbs / 31.3 kg	509412	9SC-CIA-RF
509817	WCR-16GP	1	2" / 51 mm	2" Slip x Slip	Structural Foam	115	51 gpm @ 5' / 193.1 lpm @ 1.5 m	108 lbs / 49.0 kg	509810	16G-F151-20

*Steel cover is not rated for foot or vehicle traffic

Basin Assemblies			
Item No.	Model No.	Basin Only Sub-Assy	Cover Only Sub-Assy
513245	BC2030CS-LG	113095	113002 (Structural Foam)
-	-	113095	113003 (Steel)

Note: Pump and switch assembly not included. If parts/sub-assemblies are ordered separately, the hardware is not necessarily included to assemble entire system.

PUMP SPECIFICATIONS

HP	Volts	Hz	Amps	Watts	GPM / Liters per Minute @ Height				Shut-Off	
					5 ft / 1.5 m	10 ft / 3 m	15 ft / 4.6 m	20 ft / 6.1 m	ft / m	PSI / bar
4/10	115	60	8	870	100 / 379	80 / 303	60 / 227	-	20 / 6.1	8.7 / 0.60
1	115	60	12.5	-	51 / 193	49.3 / 187	47.0 / 178	43.9 / 166	53 / 16.2	22.9 / 1.58

Item No.	Model	HP	Volts	Discharge	Switch Type / Operation	On Level	Off Level	Cord	Weight
509412	9SC-CIA-RF	4/10	115	2"	Piggyback Mechanical Float	9" - 14" / 22.86 cm - 35.56 cm	2" - 6" / 5 cm - 15.24 cm	20' / 6.1 m	35.5 lbs / 16.1 kg
509810	16G-F151-20	1	115	2"	Piggyback Mechanical Float	13" - 18" / 33.02 cm - 45.72 cm	8" - 10" / 20.3 cm - 25.4 cm	20' / 6.1 m	78 lbs / 35.4 kg

PUMP OPTIONS



9SC - 4/10 hp Sewage Ejector

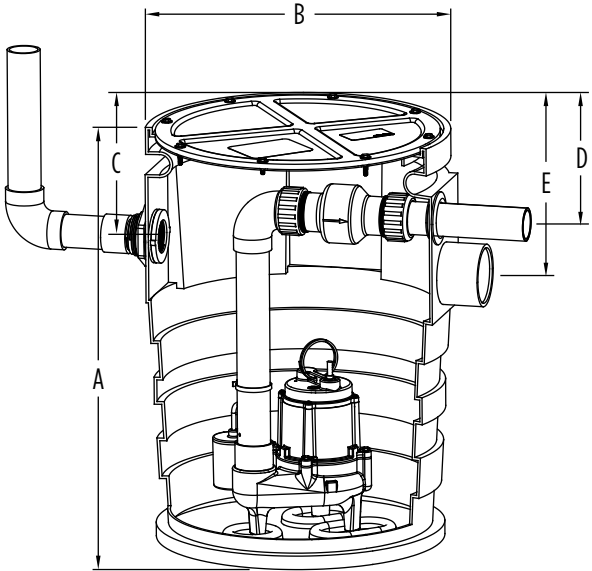


16G - 1 hp Grinder Pump

PACKAGE SYSTEMS

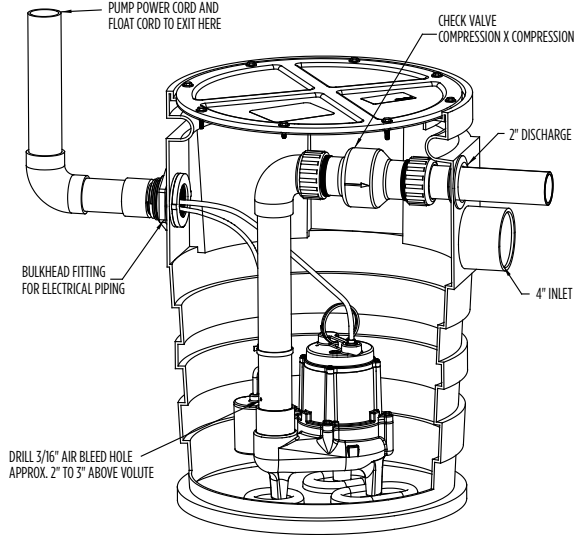
WCR SERIES - WATER COLLECTION & REMOVAL SYSTEMS

ENGINEERING DATA



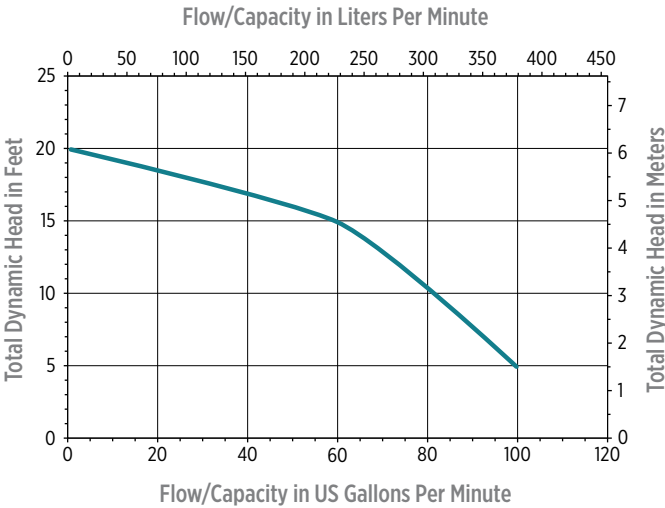
A	B	C	D	E
30" (76.2 cm)	22" (55.88 cm)	8.5" (21.59 cm)	5.5" (13.97 cm)	10" (25.4 cm)

TYPICAL INSTALLATION



PERFORMANCE DATA

9SC - 4/10 HP SEWAGE EJECTOR



16G - 1 HP GRINDER PUMP

