

SIMPLEX AND DUPLEX SYSTEMS

APPLICATIONS

Collection of sewage, effluent, drainage or seepage water

FEATURES

- Basins available in high density polyethylene structural foam [18" (46 cm), 24" (61 cm), and 30" (76 cm) dia.] or fiberglass [36" (91 cm) dia]
- Complete with necessary sealing hardware and flanges
- Available with 2" or 3" (51 mm or 76 mm) vent or discharge flange
- 4" inlet hub is included with the basin
- Watertight and gas-tight when properly installed
- Durable steel gasketed cover standard on simplex and duplex basins
- One-piece, seam-free construction on basin
- Duplex covers include two access plates
- Ready-to-install for simple and economical installation
- Temperature rated up to 130 °F (54.4 °C)



SERIES SPECIFICATIONS

PRE-PACKAGED SIMPLEX SYSTEMS (ASSEMBLY REQUIRED)

Item No.	Model	Basin			Cover					Pump			Check Valve
		Size	Style	Inlet Hub Included	Style	Material	Flanges	Vent	Discharge	Pump No	Pump Volts	Pump HP	
509007	9S-SMPX	18" x 30" 46 cm x 76 cm	Structural Foam	Snap-in Vinyl Hub	1-Piece	Steel	Slip-Fit	2" 51 mm	2" 51 mm	509204	115	4/10	940022 2" - 51 mm
509008	9S-SMPX	18" x 30" 46 cm x 76 cm	Structural Foam	Snap-in Vinyl Hub	2-Piece	Steel	Bolt-On	3" 76 mm	2" 51 mm	509204	115	4/10	940022 2" - 51 mm
509009	9S-SMPX	18" x 30" 46 cm x 76 cm	Structural Foam	Cast Iron Hub	1-Piece	Steel	Slip-Fit	2" 51 mm	2" 51 mm	509204	115	4/10	940022 2" - 51 mm
509029	9S-SMPX	18" x 30" 46 cm x 76 cm	Structural Foam	Snap-in Vinyl Hub	2-Piece	Steel	Bolt-On	2" 51 mm	3" 76 mm	509215	115	4/10	940022 2" - 51 mm
509030	9S-SMPX	18" x 30" 46 cm x 76 cm	Structural Foam	Cast Iron Hub	2-Piece	Steel	Bolt-On	2" 51 mm	3" 76 mm	509215	115	4/10	940022 2" - 51 mm
509041	9E-SMPX	18" x 30" 46 cm x 76 cm	Structural Foam	Snap-in Vinyl Hub	2-Piece	Steel	Bolt-On	2" 51 mm	2" 51 mm	509209	115	4/10	940022 2" - 51 mm
509042*	9S-SMPX	18" x 30" 46 cm x 76 cm	Structural Foam	Snap-in Vinyl Hub	2-Piece	Steel	Bolt-On	2" 51 mm	2" 51 mm	509204	115	4/10	940022 2" - 51 mm
509044	9S-SMPX	18" x 30" 46 cm x 76 cm	Structural Foam	Snap-in Vinyl Hub	2-Piece	Steel	Bolt-On	2" 51 mm	2" 51 mm	509204	115	4/10	940022 2" - 51 mm
509045	9S-SMPX	18" x 30" 46 cm x 76 cm	Structural Foam	Cast Iron Hub	2-Piece	Steel	Bolt-On	2" 51 mm	2" 51 mm	509204	115	4/10	940022 2" - 51 mm
509047	9S-SMPX	18" x 30" 46 cm x 76 cm	Structural Foam	Cast Iron Hub	2-Piece	Steel	Bolt-On	3" 76 mm	2" 51 mm	509204	115	4/10	940022 2" - 51 mm
509068	9S-SMPXRT-K	18" x 30" 46 cm x 76 cm	Roll Top Poly	4" Adaptaflex & Multi-tite Grommet	1-Piece	Structural Foam	Slip-Fit	2" or 3" 51 mm or 76 mm	2" 51 mm	509204	115	4/10	-
509069	9S-SMPXRT-K	18" x 30" 46 cm x 76 cm	Roll Top Poly	4" Adaptaflex & Multi-tite Grommet	1-Piece	Structural Foam	Slip-Fit	2" or 3" 51 mm or 76 mm	3" 76 mm	509215	115	4/10	940023 3" - 76 mm
509072	9S-SMPXRT-K	18" x 30" 46 cm x 76 cm	Roll Top Poly	4" Adaptaflex & Multi-tite Grommet	1-Piece	Structural Foam	2" or 3"	2" or 3"	2" 51 mm	509204	115	4/10	940026 2" - 51 mm
509074	9S-SMPXRT-K	18" x 30" 46 cm x 76 cm	Roll Top Poly	4" Adaptaflex & Multi-tite Grommet	1-Piece	Structural Foam	Slip-Fit	2" or 3" 51 mm or 76 mm	2" 51 mm	509204	115	4/10	940022 2" - 51 mm
509076	9S-SMPXRT-K	18" x 30" 46 cm x 76 cm	Roll Top Poly	4" Adaptaflex & Multi-tite Grommet	1-Piece	Structural Foam	Slip-Fit	2" 51 mm	3" 76 mm	509215	115	4/10	-
509078	9S-SMPXRT-K	18" x 30" 46 cm x 76 cm	Roll Top Poly	4" Adaptaflex & Multi-tite Grommet	1-Piece	Structural Foam	Slip-Fit	2" 51 mm	3" 76 mm	509215	115	4/10	940023 3" - 76 mm
511017	10S-SMPX	18" x 30" 46 cm x 76 cm	Structural Foam	Cast Iron Hub	1-Piece	Steel	Slip-Fit	2" 51 mm	2" 51 mm	511323	115	1/2	940022 2" - 51 mm
511018	10S-SMPX	18" x 30" 46 cm x 76 cm	Structural Foam	Snap-in Vinyl Hub	1-Piece	Steel	Slip-Fit	2" 51 mm	2" 51 mm	509215	115	1/2	940022 2" - 51 mm

Note: Other configurations are available. Please contact factory for information on package requirements not shown here.
* Inlet hole is not pre-cut † Includes CVBV-2 (599160) check/ball combination ‡ Includes HWAB high water alarm (513288)

SIMPLEX AND DUPLEX SYSTEMS

SERIES SPECIFICATIONS

PRE-PACKAGED SIMPLEX SYSTEMS (ASSEMBLY REQUIRED) [CONTINUED]

Item No.	Model	Basin			Cover					Pump			Check Valve
		Size	Style	Inlet Hub Included	Style	Material	Flanges	Vent	Discharge	Pump No	Pump Volts	Pump HP	
511019	10S-SMPX	18" x 30" 46 cm x 76 cm	Structural Foam	Snap-in Vinyl Hub	1-Piece	Steel	Slip-Fit	2" 51 mm	2" 51 mm	509215	115	1/2	940022 2" 51 mm
511042	10S-SMPX	18" x 30" 46 cm x 76 cm	Structural Foam	Snap-in Vinyl Hub	2-Piece	Steel	Bolt-On	2" 51 mm	2" 51 mm	511323	115	1/2	940022 2" 51 mm
511044	10S-SMPX	18" x 30" 46 cm x 76 cm	Structural Foam	Snap-in Vinyl Hub	2-Piece	Steel	Bolt-On	2" 51 mm	2" 51 mm	511323	115	1/2	940022 2" 51 mm
511045	10S-SMPX	18" x 30" 46 cm x 76 cm	Structural Foam	Cast Iron Hub	2-Piece	Steel	Bolt-On	2" 51 mm	2" 51 mm	511323	115	1/2	940022 2" 51 mm
511046	10S-SMPX	18" x 30" 46 cm x 76 cm	Structural Foam	Snap-in Vinyl Hub	2-Piece	Steel	Bolt-On	3" 76 mm	2" 51 mm	511323	115	1/2	940022 2" 51 mm
511047	10S-SMPX	18" x 30" 46 cm x 76 cm	Structural Foam	Cast Iron Hub	2-Piece	Steel	Bolt-On	3" 76 mm	2" 51 mm	511323	115	1/2	940022 2" 51 mm
511051	10S-SMPX	18" x 30" 46 cm x 76 cm	Structural Foam	Cast Iron Hub	2-Piece	Steel	Bolt-On	2" 51 mm	3" 76 mm	511344	115	1/2	940023 3" 76 mm
511054	10S-SMPX	18" x 30" 46 cm x 76 cm	Structural Foam	Snap-in Vinyl Hub	2-Piece	Steel	Bolt-On	2" 51 mm	3" 76 mm	511326	115	1/2	940023 3" 76 mm
511055	10S-SMPX	18" x 30" 46 cm x 76 cm	Structural Foam	Cast Iron Hub	2-Piece	Steel	Bolt-On	2" 51 mm	3" 76 mm	511326	115	1/2	940023 3" 76 mm
511065	10S-SMPXRT-K	18" x 30" 46 cm x 76 cm	Roll Top Poly	4" Adaptaflex & Multi-tite Grommet	1-Piece	Structural Foam	Slip-Fit	2" or 3" 51 mm or 76 mm	2" 51 mm	511323	115	1/2	940022 2" 51 mm

Note: Other configurations are available. Please contact factory for information on package requirements not shown here.
 * Inlet hole is not pre-cut † Includes CVBV-2 (599160) check/ball combination ‡ Includes HWAB high water alarm (513288)

PRE-ASSEMBLED SIMPLEX SYSTEMS (READY TO INSTALL)

Item No.	Model	Basin			Cover					Pump			Check Valve	Alarm
		Size	Style	Inlet Hub Included	Style	Material	Flanges	Vent	Discharge	Pump No	Pump Volts	Pump HP		
509067	9S-SMPXRTA-K	18" x 30" 46 cm x 76 cm	Roll Top Poly	4" Adaptaflex & Multi-tite Grommet	1-Piece	Structural Foam	Slip-Fit	2" or 3" 51 mm or 76 mm	2" 51 mm	509203	115	4/10	940022 2" 51 mm	513288 Indoor High Water
509071	9S-SMPXRT-K	18" x 30" 46 cm x 76 cm	Roll Top Poly	4" Adaptaflex & Multi-tite Grommet	1-Piece	Structural Foam	Slip-Fit	2" or 3" 51 mm or 76 mm	2" 51 mm	509203	115	4/10	940026 2" 51 mm	-
509073	9S-SMPXRTA-K	18" x 30" 46 cm x 76 cm	Roll Top Poly	4" Adaptaflex & Multi-tite Grommet	1-Piece	Structural Foam	Slip-Fit	2" or 3" 51 mm or 76 mm	2" 51 mm	509203	115	4/10	940022 2" 51 mm	-
509075	9S-SMPXRT-K	18" x 30" 46 cm x 76 cm	Roll Top Poly	4" Adaptaflex & Multi-tite Grommet	1-Piece	Structural Foam	Slip-Fit	2" or 3" 51 mm or 76 mm	3" 76 mm	509215	115	4/10	-	-
509077	9S-SMPXRT-K	18" x 30" 46 cm x 76 cm	Roll Top Poly	4" Adaptaflex & Multi-tite Grommet	1-Piece	Structural Foam	Slip-Fit	2" 51 mm	3" 76 mm	509215	115	4/10	940023 3" 76 mm	-
509079	9S-SMPXRTA-K	18" x 30" 46 cm x 76 cm	Roll Top Poly	4" Adaptaflex & Multi-tite Grommet	1-Piece	Structural Foam	Slip-Fit	2" or 3" 51 mm or 76 mm	2" 51 mm	509203	115	4/10	940022 2" 51 mm	513288 Indoor High Water
511064	10S-SMPXRT-K	18" x 30" 46 cm x 76 cm	Roll Top Poly	4" Adaptaflex & Multi-tite Grommet	1-Piece	Structural Foam	Slip-Fit	2" or 3" 51 mm or 76 mm	2" 51 mm	511323	115	1/2	940022 2" 51 mm	-
511079	10S-SMPXRTA-K	18" x 30" 46 cm x 76 cm	Roll Top Poly	4" Adaptaflex & Multi-tite Grommet	1-Piece	Structural Foam	Slip-Fit	2" or 3" 51 mm or 76 mm	2" or 3" 51 mm or 76 mm	511323	115	1/2	940022 2" 51 mm	513288 Indoor High Water
620054	WSV52S-FP	18" x 30" 46 cm x 76 cm	Roll Top Poly	4" Adaptaflex & Multi-tite Grommet	1-Piece	Structural Foam	Slip-Fit	2" or 3" 51 mm or 76 mm	2" 51 mm	620236	115	1/2	940022 2" 51 mm	-

Note: Other configurations are available. Please contact factory for information on package requirements not shown here.
 * Inlet hole is not pre-cut † Includes CVBV-2 (599160) check/ball combination ‡ Includes HWAB high water alarm (513288)

BASIN & COVER ASSEMBLIES - SIMPLEX (PUMP NOT INCLUDED)

Item No.	Model	Basin			Cover				
		Size	Style	Inlet Hub Included	Style	Material	Flanges	Vent	Discharge
513100*	BS1830CS2V2D	18" x 30" 46 cm x 76 cm	Structural Foam*	Snap-in Vinyl Hub	2-Piece	Steel	Bolt-On	2" 51 mm	2" 51 mm
513101	BS1830CS2V2D	18" x 30" 46 cm x 76 cm	Structural Foam	Snap-in Vinyl Hub	2-Piece	Steel	Bolt-On	2" 51 mm	2" 51 mm
513102	BS1830CS3V2D	18" x 30" 46 cm x 76 cm	Structural Foam	Snap-in Vinyl Hub	2-Piece	Steel	Bolt-On	3" 76 mm	2" 51 mm
513103	BB1830CS2V2D	18" x 30" 46 cm x 76 cm	Structural Foam	Cast Iron Hub	2-Piece	Steel	Bolt-On	2" 51 mm	2" 51 mm
513104	BB1830CS3V2D	18" x 30" 46 cm x 76 cm	Structural Foam	Cast Iron Hub	2-Piece	Steel	Bolt-On	3" 76 mm	2" 51 mm

* Inlet hole is not pre-cut

SIMPLEX AND DUPLEX SYSTEMS

SERIES SPECIFICATIONS

BASIN & COVER ASSEMBLIES - SIMPLEX SYSTEMS (PUMP NOT INCLUDED) [CONTINUED]

Item No.	Model	Basin			Cover				
		Size	Style	Inlet Hub Included	Style	Material	Flanges	Vent	Discharge
51319	BS1830CS2V2D	18" x 30" 46 cm x 76 cm	Structural Foam	Snap-in Vinyl Hub	1-Piece	Steel	Bolt-On	2" 51 mm	2" 51 mm
513120	BS1830CS2V3D	18" x 30" 46 cm x 76 cm	Structural Foam	Cast Iron Hub	2-Piece	Steel	Bolt-On	2" 51 mm	3" 76 mm
513122	BS1830CS2V3D	18" x 30" 46 cm x 76 cm	Structural Foam	Snap-in Vinyl Hub	2-Piece	Structural Foam	Bolt-On	2" 51 mm	3" 76 mm
513128	BB1830CS3V2D-K	18" x 30" 46 cm x 76 cm	Fiberglass	Cast Iron Hub	1-Piece	Steel	Slip-Fit	3" 76 mm	2" 51 mm
513240	BS1830CSRT-K	18" x 30" 46 cm x 76 cm	Roll Top Poly	4" Adaptaflex & Multi-tite Grommet	1-Piece	Structural Foam	Slip-Fit	2" or 3" 51 mm or 76 mm	2" or 3" 51 mm or 76 mm
513241*	BS1830CSRTNH-K	18" x 30" 46 cm x 76 cm	Roll Top Poly	4" Adaptaflex & Multi-tite Grommet	1-Piece	Structural Foam	Slip-Fit	2" or 3" 51 mm or 76 mm	2" or 3" 51 mm or 76 mm
513105	BB2436CS2V2D	24" x 36" 61 cm x 91.4 cm	Structural Foam	Cast Iron Hub	1-Piece	Cast Iron	Bolt-On	2" 51 mm	2" 51 mm
513106	BB2436CS3V2D	24" x 36" 61 cm x 91.4 cm	Structural Foam	Cast Iron Hub	1-Piece	Steel	Bolt-On	3" 76 mm	2" 51 mm
513107	BB2436CS2V3D	24" x 36" 61 cm x 91.4 cm	Structural Foam	Cast Iron Hub	1-Piece	Steel	Bolt-On	2" 51 mm	3" 76 mm
513108	BB2436CS3V3D	24" x 36" 61 cm x 91.4 cm	Structural Foam	Cast Iron Hub	1-Piece	Steel	Bolt-On	3" 76 mm	3" 76 mm
513144	BB3036CS2V2D	30" x 36" 76 cm x 91.4 cm	Structural Foam	Cast Iron Hub	1-Piece	Steel	Bolt-On	2" 51 mm	2" 51 mm
513145	BB3036CS3V2D	30" x 36" 76 cm x 91.4 cm	Structural Foam	Cast Iron Hub	1-Piece	Steel	Bolt-On	3" 76 mm	2" 51 mm
513146	BB3036CS2V2D	30" x 36" 76 cm x 91.4 cm	Structural Foam	Cast Iron Hub	1-Piece	Steel	Bolt-On	2" 51 mm	3" 76 mm
513147	BB3036CS3V2D	30" x 36" 76 cm x 91.4 cm	Structural Foam	Cast Iron Hub	1-Piece	Steel	Bolt-On	3" 76 mm	3" 76 mm

* Inlet hole is not pre-cut

PRE-PACKAGED DUPLEX SYSTEMS (READY TO INSTALL)

Item No.	Model	Basin			Cover				Pump			Check Valve	Control Panel
		Size	Style	Inlet Hub Included	Style	Material	Vent	Discharge	Pump No	Pump Volts	Pump HP		
14940697	9S-DPLX	24" x 36" 61 cm x 91.4 cm	Structural Foam	Cast Iron	1-Piece	Steel	2" 51 mm	2" 51 mm	509203	115	4/10	940022 2" - 51 mm	513258 1221W120H6A17A
14940698	9S-DPLX	24" x 36" 61 cm x 91.4 cm	Structural Foam	Cast Iron	1-Piece	Steel	2" 51 mm	2" 51 mm	509217	208-230	4/10	940022 2" - 51 mm	513258 1221W120H6A17A
14940728	9S-DPLX	24" x 36" 61 cm x 91.4 cm	Structural Foam	Cast Iron	1-Piece	Steel	2" 51 mm	3" 76mm	509226	115	4/10	940023 3" - 76 mm	513258 1221W120H6A17A
14940729	9S-DPLX	24" x 36" 61 cm x 91.4 cm	Structural Foam	Cast Iron	1-Piece	Steel	2" 51 mm	3" 76mm	509227	208-230	4/10	940023 3" - 76 mm	513258 1221W120H6A17A
14940699	10S-DPLX	24" x 36" 61 cm x 91.4 cm	Structural Foam	Cast Iron	1-Piece	Steel	2" 51 mm	2" 51 mm	511322	115	1/2	940022 2" - 51 mm	513258 1221W120H6A17A
14940700	10S-DPLX	24" x 36" 61 cm x 91.4 cm	Structural Foam	Cast Iron	1-Piece	Steel	2" 51 mm	2" 51 mm	511328	208-230	1/2	940022 2" - 51 mm	513258 1221W120H6A17A
14940701	10S-DPLX	24" x 36" 61 cm x 91.4 cm	Structural Foam	Cast Iron	1-Piece	Steel	2" 51 mm	3" 76mm	511344	115	1/2	940023 3" - 76 mm	513258 1221W120H6A17A
14940730	10S-DPLX	24" x 36" 61 cm x 91.4 cm	Structural Foam	Cast Iron	1-Piece	Steel	2" 51 mm	3" 76mm	511345	208-230	1/2	940023 3" - 76 mm	513258 1221W120H6A17A
14940702	9S-DPLX	30" x 36" 76 cm x 91.4 cm	Structural Foam	Cast Iron	1-Piece	Steel	2" 51 mm	2" 51 mm	509203	115	4/10	940022 2" - 51 mm	513258 1221W120H6A17A
14940703	9S-DPLX	30" x 36" 76 cm x 91.4 cm	Structural Foam	Cast Iron	1-Piece	Steel	2" 51 mm	2" 51 mm	509217	208-230	4/10	940022 2" - 51 mm	513258 1221W120H6A17A
14940731	9S-DPLX	30" x 36" 76 cm x 91.4 cm	Structural Foam	Cast Iron	1-Piece	Steel	3" 76mm	3" 76mm	509226	115	4/10	940023 3" - 76 mm	513258 1221W120H6A17A
14940732	9S-DPLX	30" x 36" 76 cm x 91.4 cm	Structural Foam	Cast Iron	1-Piece	Steel	3" 76mm	3" 76mm	509227	208-230	4/10	940023 3" - 76 mm	513258 1221W120H6A17A
14940704	10S-DPLX	30" x 36" 76 cm x 91.4 cm	Structural Foam	Cast Iron	1-Piece	Steel	2" 51 mm	2" 51 mm	511328	115	1/2	940022 2" - 51 mm	513258 1221W120H6A17A
14940705	10S-DPLX	30" x 36" 76 cm x 91.4 cm	Structural Foam	Cast Iron	1-Piece	Steel	2" 51 mm	2" 51 mm	511328	208-230	1/2	940022 2" - 51 mm	513258 1221W120H6A17A
14940706	10S-DPLX	30" x 36" 76 cm x 91.4 cm	Structural Foam	Cast Iron	1-Piece	Steel	3" 76mm	3" 76mm	511344	115	1/2	940023 3" - 76 mm	513258 1221W120H6A17A
14940733	10S-DPLX	30" x 36" 76 cm x 91.4 cm	Structural Foam	Cast Iron	1-Piece	Steel	3" 76mm	3" 76mm	511345	208-230	1/2	940023 3" - 76 mm	513258 1221W120H6A17A
14940707	14S-DPLX	30" x 36" 76 cm x 91.4 cm	Structural Foam	Cast Iron	1-Piece	Steel	2" 51 mm	2" 51 mm	514320	115	1/2	940022 2" - 51 mm	513258 1221W120H6A17A

SIMPLEX AND DUPLEX SYSTEMS

SERIES SPECIFICATIONS

PRE-PACKAGED DUPLEX SYSTEMS (READY TO INSTALL) [CONTINUED]

Item No.	Model	Basin			Cover				Pump			Check Valve	Control Panel
		Size	Style	Inlet Hub Included	Style	Material	Vent	Discharge	Pump No	Pump Volts	Pump HP		
14940708	14S-DPLX	30" x 36" 76 cm x 91.4 cm	Structural Foam	Cast Iron	1-Piece	Steel	2" 51 mm	2" 51 mm	514321	208-240	1/2	940022 2" - 51 mm	513258 1221W120H6A17A
14940709	14S-DPLX	30" x 36" 76 cm x 91.4 cm	Structural Foam	Cast Iron	1-Piece	Steel	3" 76mm	3" 76mm	514420	115	1/2	940023 3" - 76 mm	513258 1221W120H6A17A
14940710	14S-DPLX	30" x 36" 76 cm x 91.4 cm	Structural Foam	Cast Iron	1-Piece	Steel	3" 76mm	3" 76mm	14940726	208-240	1/2	940023 3" - 76 mm	513258 1221W120H6A17A
14940711	16S-DPLX	30" x 36" 76 cm x 91.4 cm	Structural Foam	Cast Iron	1-Piece	Steel	3" 76mm	3" 76mm	514620	230	1	940023 3" - 76 mm	513258 1221W120H6A17A
14940712	20S-DLFX	30" x 36" 76 cm x 91.4 cm	Structural Foam	Cast Iron	1-Piece	Steel	3" 76mm	3" 76mm	520100	208-230	2	940023 3" - 76 mm	513258 1221W120H6A17A
14940713	9S-DPLX	36" x 36" 91.4 cm x 91.4 cm	Structural Foam	Cast Iron	1-Piece	Steel	2" 51 mm	2" 51 mm	509203	115	4/10	940022 2" - 51 mm	513258 1221W120H6A17A
14940714	9S-DPLX	36" x 36" 91.4 cm x 91.4 cm	Structural Foam	Cast Iron	1-Piece	Steel	2" 51 mm	2" 51 mm	509217	208-230	4/10	940022 2" - 51 mm	513258 1221W120H6A17A
14940734	9S-DPLX	36" x 36" 91.4 cm x 91.4 cm	Structural Foam	Cast Iron	1-Piece	Steel	3" 76mm	3" 76mm	509226	115	4/10	940023 3" - 76 mm	513258 1221W120H6A17A
14940735	9S-DPLX	36" x 36" 91.4 cm x 91.4 cm	Structural Foam	Cast Iron	1-Piece	Steel	3" 76mm	3" 76mm	509227	208-230	4/10	940023 3" - 76 mm	513258 1221W120H6A17A
14940736	10S-DPLX	36" x 36" 91.4 cm x 91.4 cm	Structural Foam	Cast Iron	1-Piece	Steel	3" 76mm	3" 76mm	511345	208-230	1/2	940023 3" - 76 mm	513258 1221W120H6A17A
14940715	10S-DPLX	36" x 36" 91.4 cm x 91.4 cm	Structural Foam	Cast Iron	1-Piece	Steel	2" 51 mm	2" 51 mm	511322	115	1/2	940022 2" - 51 mm	513258 1221W120H6A17A
14940716	10S-DPLX	36" x 36" 91.4 cm x 91.4 cm	Structural Foam	Cast Iron	1-Piece	Steel	2" 51 mm	2" 51 mm	511328	208-230	1/2	940022 2" - 51 mm	513258 1221W120H6A17A
14940717	10S-DPLX	36" x 36" 91.4 cm x 91.4 cm	Structural Foam	Cast Iron	1-Piece	Steel	3" 76mm	3" 76mm	511344	115	1/2	940023 3" - 76 mm	513258 1221W120H6A17A
14940718	14S-DPLX	36" x 36" 91.4 cm x 91.4 cm	Structural Foam	Cast Iron	1-Piece	Steel	2" 51 mm	2" 51 mm	514320	115	1/2	940022 2" - 51 mm	513258 1221W120H6A17A
14940719	14S-DPLX	36" x 36" 91.4 cm x 91.4 cm	Structural Foam	Cast Iron	1-Piece	Steel	2" 51 mm	2" 51 mm	514321	208-240	1/2	940022 2" - 51 mm	513258 1221W120H6A17A
14940720	14S-DPLX	36" x 36" 91.4 cm x 91.4 cm	Structural Foam	Cast Iron	1-Piece	Steel	3" 76mm	3" 76mm	514420	115	1/2	940023 3" - 76 mm	513258 1221W120H6A17A
14940737	14S-DPLX	36" x 36" 91.4 cm x 91.4 cm	Structural Foam	Cast Iron	1-Piece	Steel	3" 76mm	3" 76mm	14940726	208-240	1/2	940023 3" - 76 mm	513258 1221W120H6A17A
14940721	16S-DPLX	36" x 36" 91.4 cm x 91.4 cm	Structural Foam	Cast Iron	1-Piece	Steel	3" 76mm	3" 76mm	514620	230	1	940023 3" - 76 mm	513258 1221W120H6A17A
14940722	20S-DLFX	36" x 36" 91.4 cm x 91.4 cm	Structural Foam	Cast Iron	1-Piece	Steel	3" 76mm	3" 76mm	520100	208-230	2	940023 3" - 76 mm	513258 1221W120H6A17A

BASIN & COVER ASSEMBLIES - DUPLEX SYSTEMS (PUMP NOT INCLUDED)

Item No.	Model	Basin			Cover				
		Size	Style	Inlet Hub Included	Style	Material	Flanges	Vent	Discharge
513129	BB2436CD2V2D	24" x 36" 61 cm x 91.4 cm	Structural Foam	Cast Iron Hub	1-Piece	Steel	Bolt-On	2" 51 mm	2" 51 mm
513130	BB2436CD3V2D	24" x 36" 61 cm x 91.4 cm	Structural Foam	Cast Iron Hub	1-Piece	Steel	Bolt-On	3" 76 mm	2" 51 mm
513148	BB3036CS2V2D	30" x 36" 76 cm x 91.4 cm	Structural Foam	Cast Iron Hub	1-Piece	Steel	Bolt-On	2" 51 mm	2" 51 mm
513149	BB3036CS3V2D	30" x 36" 76 cm x 91.4 cm	Structural Foam	Cast Iron Hub	1-Piece	Steel	Bolt-On	3" 76 mm	2" 51 mm
513150	BB3036CD2V3D	30" x 36" 76 cm x 91.4 cm	Structural Foam	Cast Iron Hub	1-Piece	Steel	Bolt-On	2" 51 mm	3" 76 mm
513151	BB3036CS3V3D	30" x 36" 76 cm x 91.4 cm	Structural Foam	Cast Iron Hub	1-Piece	Steel	Bolt-On	3" 76 mm	3" 76 mm
513117	BB3636CD3V2D	36" x 36" 91.4 cm x 91.4 cm	Fiberglass	Cast Iron Hub	1-Piece	Steel	Bolt-On	3" 76 mm	2" 51 mm
513118	BB3636CD3V3D	36" x 36" 91.4 cm x 91.4 cm	Fiberglass	Cast Iron Hub	1-Piece	Steel	Bolt-On	3" 76 mm	3" 76 mm
513125	BB3636CD2V2D	36" x 36" 91.4 cm x 91.4 cm	Fiberglass	Cast Iron Hub	1-Piece	Steel	Bolt-On	2" 51 mm	2" 51 mm
513126	BB3636CS2V3D	36" x 36" 91.4 cm x 91.4 cm	Fiberglass	Cast Iron Hub	1-Piece	Steel	Bolt-On	2" 51 mm	3" 76 mm

SIMPLEX AND DUPLEX SYSTEMS

SERIES SPECIFICATIONS

Hub kits come complete with all hardware required for installation.

HUB KITS FOR 18" (46 CM) DIA. BASINS

Item No.	Model
113072	4" vinyl hub
113073	4" cast iron hub
113077	6" cast iron hub

HUB KITS FOR 24" (61 CM) DIA. BASINS

Item No.	Model
113074	4" cast iron hub
113078	6" cast iron hub

HUB KITS FOR 30" (76 CM) DIA. BASINS

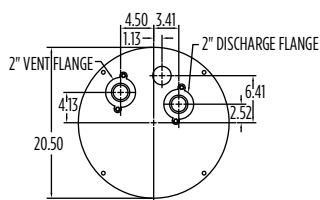
Item No.	Model
113075	4" cast iron hub

HUB KITS FOR 36" (91.4 CM) DIA. BASINS

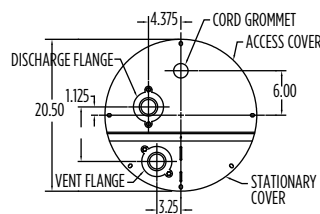
Item No.	Model
113076	4" vinyl hub
113081	8" cast iron hub

ENGINEERING DATA

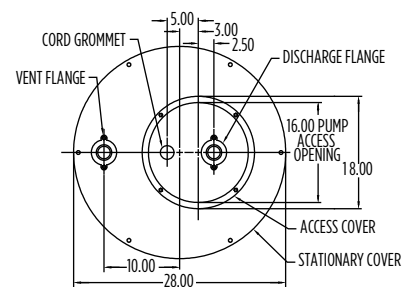
18" X 30" COVER



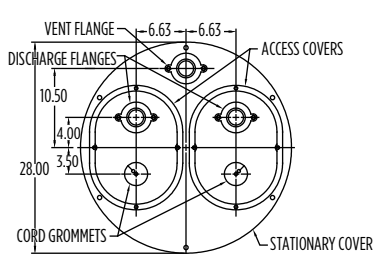
18" X 30" COVER



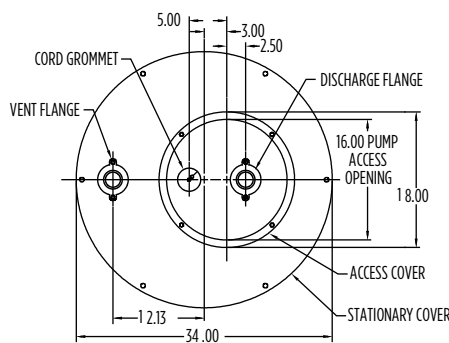
24" X 36" SIMPLEX COVER



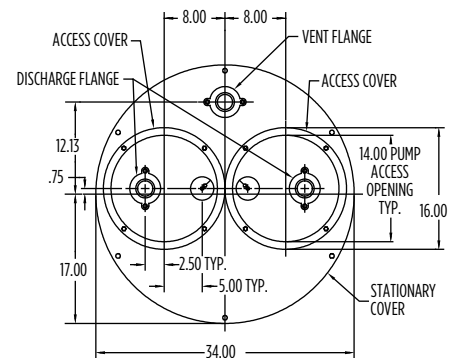
24" X 36" DUPLEX COVER



30" X 36" SIMPLEX COVER



30" X 36" DUPLEX COVER

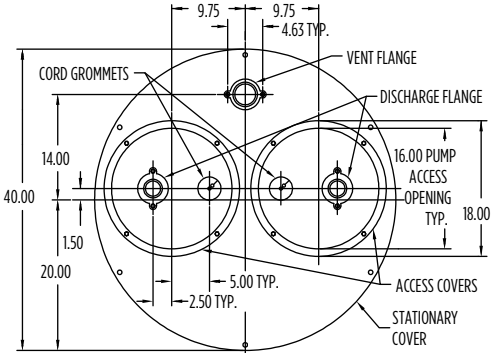


PACKAGE SYSTEMS

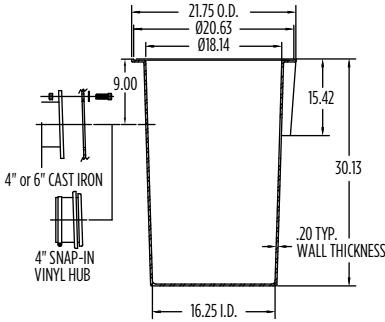
SIMPLEX AND DUPLEX SYSTEMS

ENGINEERING DATA

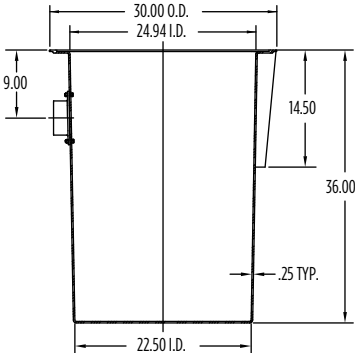
30" X 36" DUPLEX COVER



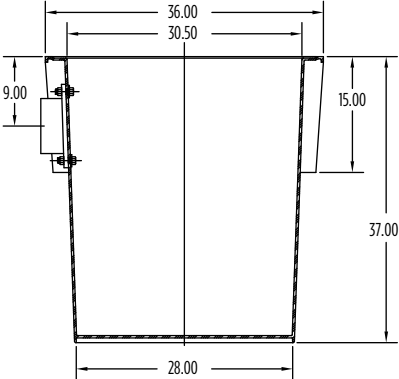
18" X 30" BASIN



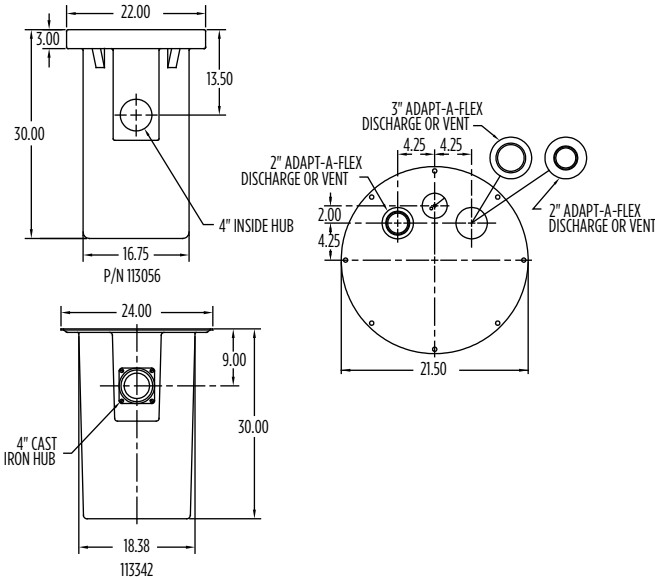
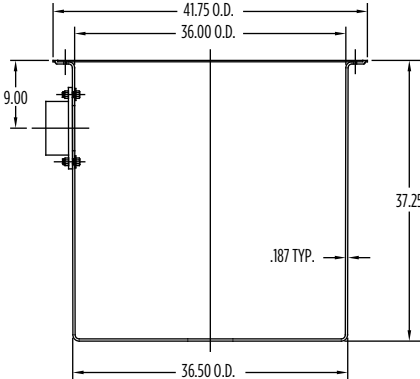
24" X 30" BASIN



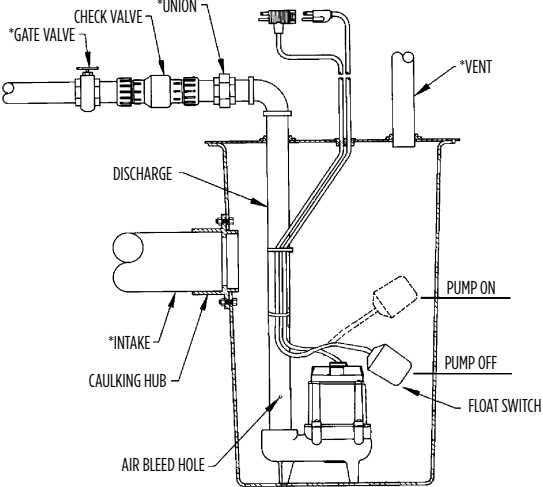
30" X 36" DUPLEX COVER



30" X 36" DUPLEX COVER



TYPICAL INSTALLATION



*PIPING NOT INCLUDED WITH PACKAGE