

BSC50 SERIES - 1/2 HP

APPLICATIONS

- Light effluent or basement sump application wastewater removal especially for new builder installations

FEATURES

- All cast iron construction – Sturdy design for cooling and long life
- Oil Filled PSC motor – Provides plenty of power and efficiency
- Screened intake with 3/8" solids handling capability- Light effluent, greywater, or sump application flexibility
- Upper and lower ball bearings – Provides quiet and robust operation
- 95°F (35°C) liquid temperature rating - Gives application flexibility
- cCSAus
- 1-1/2" FNPT discharge



BSC50V



SERIES SPECIFICATIONS

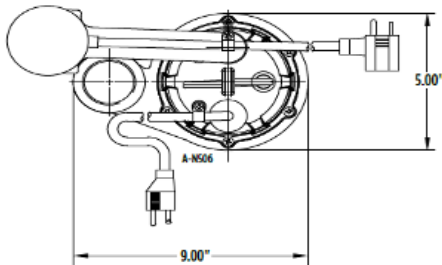
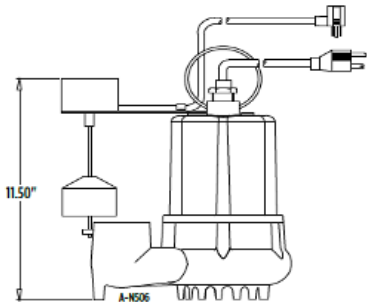
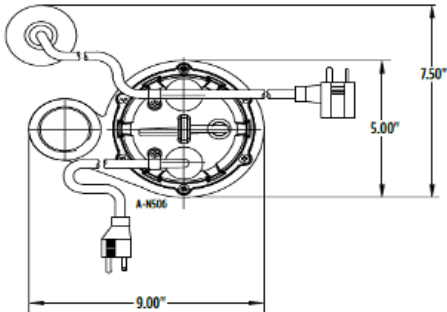
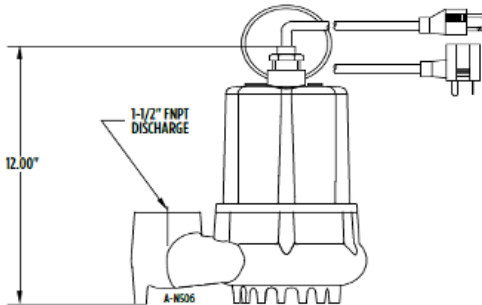
Model	HP	Volts	Hz	Amps	Watts	Max. Water Temp.	GPM / Liters per Minute @ Height				Shut-Off	
							5' 1.5 m	10' 3 m	15' 4.6 m	20' 6 m	ft / m	PSI / Bar
BSC50V	1/2	115	60	5.3	507	95°F (35°C)	64/242	50/189	37/140	24/91	28/8.5m	12.1/0.83

Item No.	Model	HP	Volts	Switch Type / Operation	On Level	Off Level	Cord	Weight (lbs/kg)
511252	BSC50V	1/2	115	Piggyback Vertical Float	6"-8"/15.2 cm-20.3 cm	1.8"-3.8"/4.6 cm-9.7 cm	10'	20/9.1

SUMP PUMPS

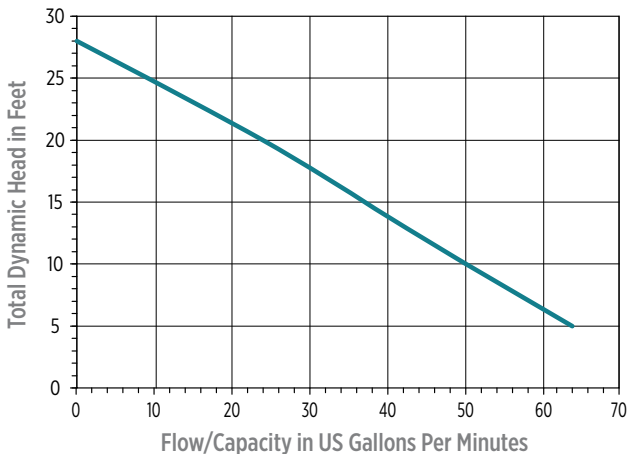
BSC50 SERIES - 1/2 HP

ENGINEERING DATA



PERFORMANCE DATA

Sump/Effluent Pump Composite Performance Curves



CONSTRUCTION

Cover	Epoxy Coated Cast Iron
Motor Housing	Epoxy Coated Cast Iron
Impeller Design	Vortex
Impeller Material	Epoxy Coated Cast Iron
Volute	Epoxy Coated Cast Iron
Mechanical Shaft Seal	Carbon/Ceramic/Nitrile
Fasteners	Stainless Steel
Shaft	Stainless Steel
Bearings	Upper and Lower Ball Bearings
Power Cord	SJTW

