

15SC-CIA-RF SERIES

APPLICATIONS

- Wastewater/sewage removal, dewatering and water transfer

FEATURES

- 3/4 HP Permanent Split Capacitor (PSC) motor
- 2" FNPT Discharge
- Thermally protected motor
- Completely submersible, designed for continuous duty operation
- Fully automatic with remote float switch and piggy-back plug
- Cast iron construction
- Capable of passing 2" solids

SERIES SPECIFICATIONS

Volts	Hz	Amps	Watts	Performance (GPM / Liters per Minute @ Height)					Shut-Off	PSI Bar
				5' / 1.5 m	10' / 3 m	15' / 4.6 m	20' / 6.1 m	25' / 7.6 m		
115	60HZ	11A	1200	130 492.1	110 416.4	90 340.7	70 265	40 151.4	28' 8.53 m"	12.1 0.83

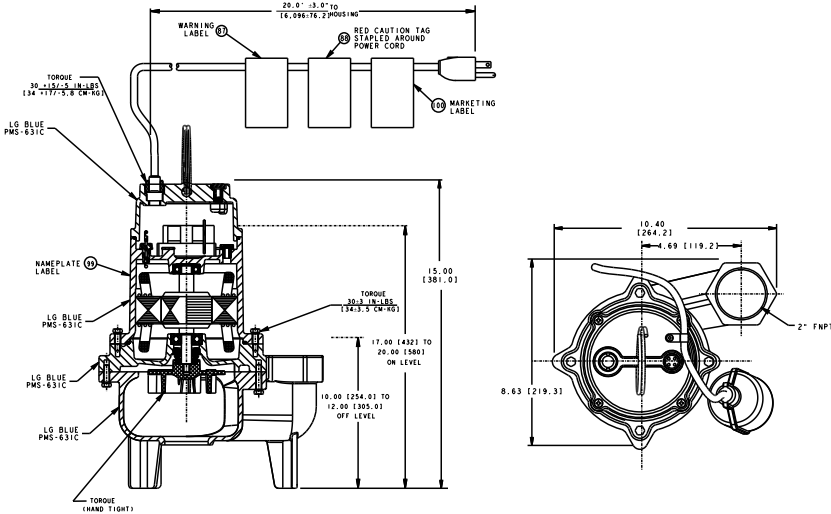
Item No.	Model	HP	Volts	Switch Type/ Operation	On Level	Off Level	Cord	Weight
14942786	15SC-CIA-RF	3/4	115	Tethered Float Switch	17"-20"	10"-12"	20' 6.1 m	43 lbs 19.5 kg



SEWAGE PUMPS

15SC-CIA-RF SERIES

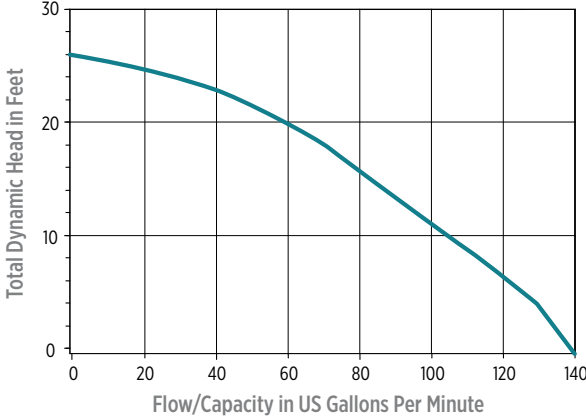
PERFORMANCE DATA



GPM	Head	LPM	M
140	0	530	0
138	1	522.4	0.3
130	5	492.1	1.5
110	10	416.4	3
90	15	340.7	4.6
70	20	265	6.1
40	25	151.4	7.6
0	28	0	8.5

PERFORMANCE DATA

Sewage Pump Composite Performance Curves



CONSTRUCTION

Motor Housing	Cast Iron
Impeller Material	Polymer
Impeller Type	Clog resistant
Volute	Cast Iron
Motor Shaft	Stainless Steel
Shaft Seal	Mechanical
Fasteners	Stainless Steel
Bearings	Ball Bearing (upper and lower)
Power Cord	20FT
RPM	3200
Motor Type	PSC