

SIMPLEX GRINDER PACKAGES

APPLICATIONS

Low pressure sewer applications, sewage wastewater transfer for light commercial or residential applications

FEATURES

PUMP FEATURES

- Powerful 2 hp single-phase, 3450 rpm with capacitor start/run motor with built-in overload protection to prevent over-current and over-temperature damage
- High starting torque motor to handle the demands of grinding domestic sewage
- Epoxy-coated cast iron finish for corrosion resistance and durability
- Designed with a seven-vane, angled face, non-clogging, balanced brass impeller
- Tight cutting clearances for superior cutting action, grinding 414,000 cuts per minute

SYSTEM FEATURES

- Control panel with integral pump starting components
- Three control float switches, On, Off, and High Water Alarm
- Stainless steel float bracket
- Junction box
- Check valve
- Basins are heavy-duty fiberglass material. Simplex basins are 24" diameter, and are available in 60", 72", and 84" depths
- 4" adapt-a-flex inlet grommet
- Structural foam cover, stainless steel rail system with sealing flange, discharge pipe disconnect, stainless steel lifting chain, ball check valve, and shut-off valve
- Easy-to-follow installation instructions



SERIES SPECIFICATIONS

SIMPLEX GRINDER PACKAGE SYSTEM**

Item No.	Model	Basin				
		Size	Height	Discharge Center Line (Installed from top)	Style	Description
520827	GP-SMPX2460	24" x 60" 61 cm x 152.4 cm	60" 152.4 cm	24" 61 cm	Fiberglass	BS2460FG
520828	GP-SMPX2472	24" x 72" 61 cm x 183 cm	72" 183 cm	36" 91.4 cm	Fiberglass	BS2472FG
520829	GP-SPMX2484	24" x 84" 61 cm x 213.4 cm	84" 213.4 cm	48" 121.9 cm	Fiberglass	BS2484FG

** Multiple Grinder Package configurations and Basin/Cover assemblies available. Please call 1.866.271.2859 for information on additional package specifications not shown here.

PUMPS

Item No.	Model	Volts
520862	GP-M231-15	208-230

CONTROL FLOATS

Item No.	Model	Volts
950266	CFSS	115/230

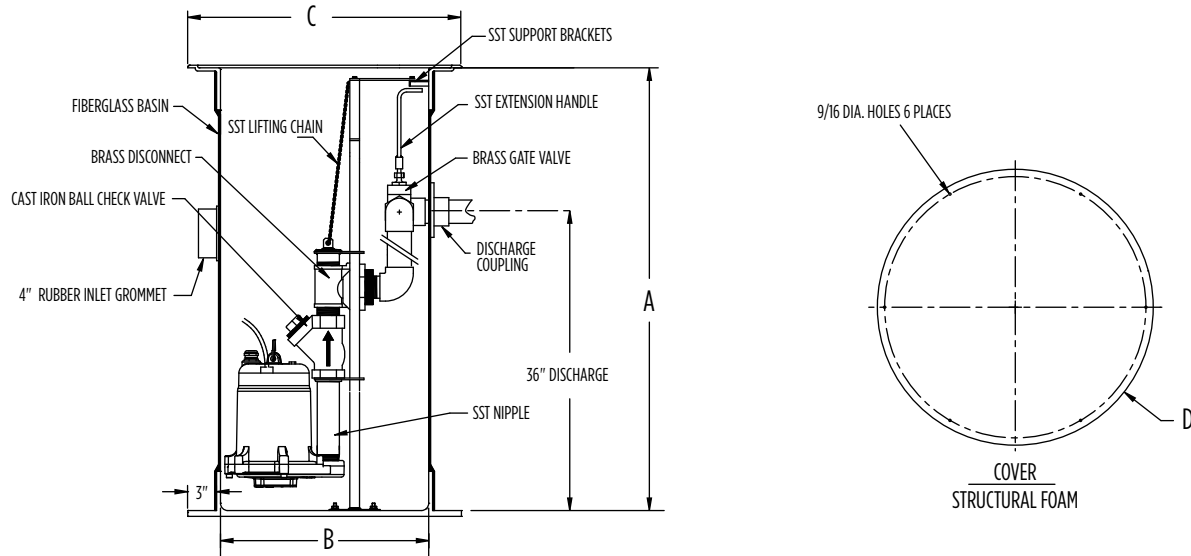
CONTROL PANEL

Item No.	Model	Volts
513354	A-SF230CBG-215	208/230

GRINDER PACKAGES

SIMPLEX GRINDER PACKAGES

ENGINEERING DATA



Item No.	Model	A	B	C	D
520827	GP-SMPX2460	60" 152.4 cm	24" 60.96 cm	30" 76.2 cm	28" 71.12 cm
520828	GP-SMPX2472	72" 182.88 cm	24" 60.96 cm	30" 76.2 cm	28" 71.12 cm
520829	GP-SPMX2484	84" 213.36 cm	24" 60.96 cm	30" 76.2 cm	28" 71.12 cm

PUMP PERFORMANCE DATA

