

## SPK SERIES - SUMP PUMP SYSTEM

### APPLICATIONS

The SPK series pump packages are ideally suited for basement sumps and flood control applications

### FEATURES

- Prepackaged system (assembly required) has everything you need for an installation in one SKU
- The system includes the time-tested Little Giant 6 Series of sump pump paired with the Little Giant diaphragm switch
- Pumps include extension feet to keep the pump off the bottom of the basin to prevent ingestion of debris for long pump life—no additional stands needed for the pump
- 18"x22" polypropylene basin with 4" Adapt-A-Flex grommet included will yield many years of trouble-free service and easy installation
- Check valve included for easy installation along with the required NPT threaded 1-1/2" discharge pipe
- Bolt on polypropylene cover included for a simple and secure installation



### SERIES SPECIFICATIONS

Item No.	Model	Discharge	HP	Volts	Switch Type/ Operation	Pump Item No.	Pump Model No.	Basin Item No.	Cover Item No.	Check Valve Item No.	Alarm Item No.
506081	SPK-6CIA	1-1/2"	1/3	115	Integral Diaphragm Switch	506162	6-CIA	507705	113366	940019	-

NOTE: If parts are ordered separately outside the package item number, not all hardware is necessarily included to fully assemble entire package

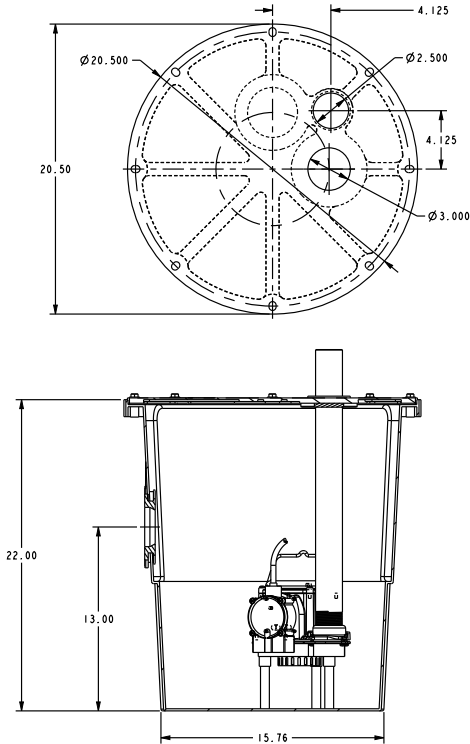
### ACCESSORIES

<b>30" Basin</b>	507707
------------------	--------

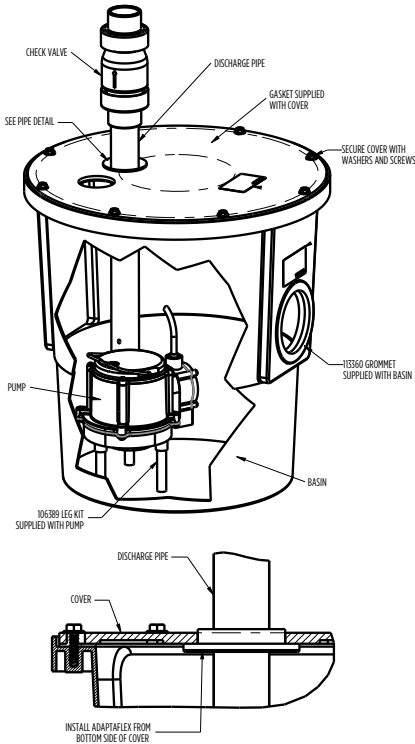
# SUMP PUMPS

## SPK SERIES - SUMP PUMP SYSTEM

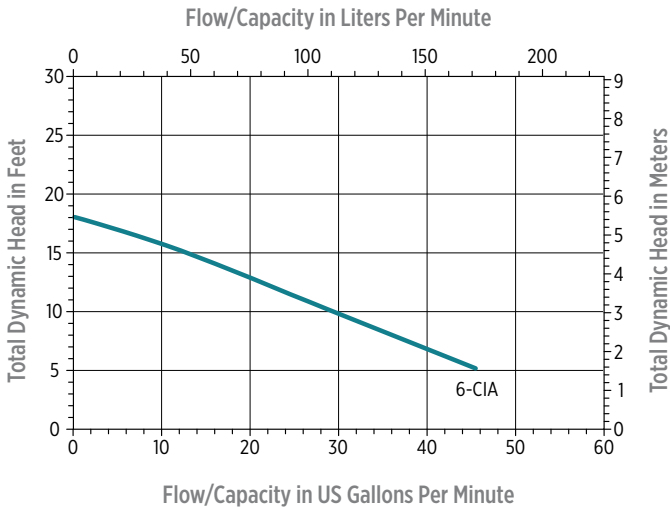
### ENGINEERING DATA



### INSTALLATION DATA



### PERFORMANCE DATA



### PUMP CONSTRUCTION

<b>Motor Housing</b>	Epoxy coated cast iron
<b>Impeller Material</b>	Nylon; Polypropylene
<b>Impeller Type</b>	Non-clog
<b>Volute</b>	Polypropylene
<b>Motor Shaft</b>	Cold-rolled steel
<b>Mechanical Shaft Seal</b>	Nitrile with carbon and ceramic faces
<b>Fasteners</b>	Stainless steel
<b>Bearings</b>	Upper and lower: Sintered, iron, flanged sleeve
<b>Power Cord</b>	18-3, SJTW

