

SIMPLEX HARD PIPED PACKAGES

APPLICATIONS

Low pressure sewer applications, sewage wastewater transfer for light commercial or residential applications

FEATURES

- Fiberglass basin comes configured with hard pipe installation
- 1-1/4" SCH 80 PVC check valve and ball valve
- SCH 80 PVC discharge piping with union disconnect
- 4" Adapt-A-Flex inlet
- 1-1/4" FNPT discharge flange factory installed
- Cover is ribbed structural foam
- 2 hp GP Series automatic grinder pump eliminates the need for a control panel



SERIES SPECIFICATIONS

SIMPLEX GRINDER HARD PIPED PACKAGE SYSTEM**

Item No.	Model	Basin			Style	Description
		Size	Height	Discharge Center Line (Installed from top)		
520824	GP-SMPXFG-HP	24" x 48" 61 cm x 121.9 cm	48" 121.9 cm	18" 45.7 cm	Fiberglass	BS2448FGHP
520825	GP-SMPXFG-HP	24" x 60" 61 cm x 152.4 cm	60" 152.4 cm	18" 45.7 cm	Fiberglass	BS2460FGHP
520826	GP-SMPXFG-HP	24" x 72" 61 cm x 182.9 cm	72" 182.9 cm	24" 60.96 cm	Fiberglass	BS2472FGHP

** Multiple Grinder Package configurations and Basin/Cover assemblies available. Please call 1.800.701.7894 for information on additional package specifications not shown here.

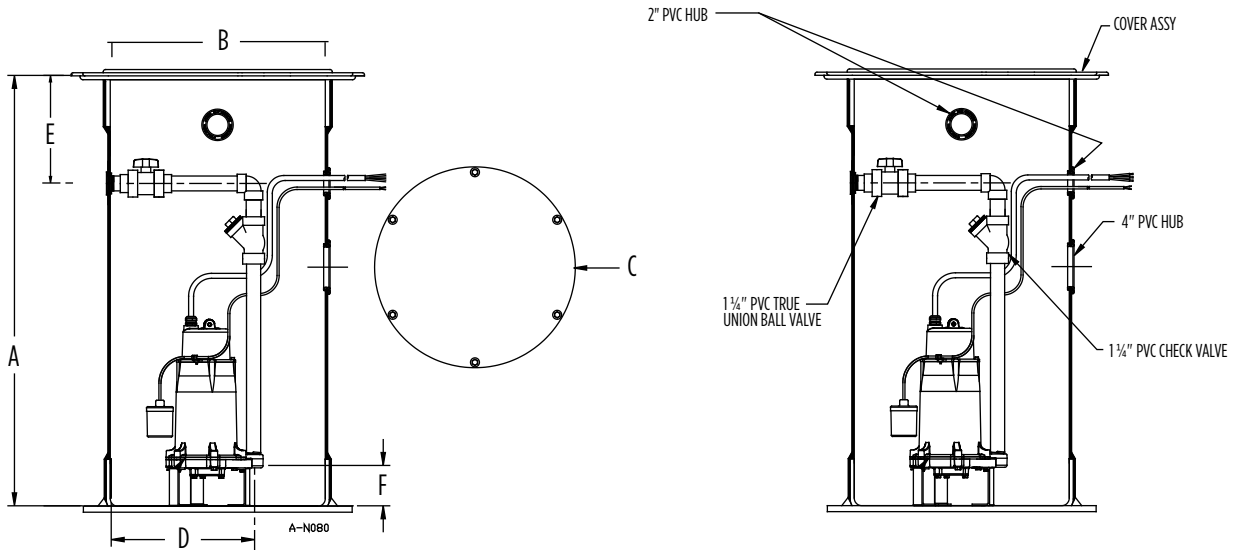
PUMP

Item No.	Model	Volts
520861	GP-A231-20	208-230

GRINDER PACKAGES

SIMPLEX HARD PIPED PACKAGES

ENGINEERING DATA



Item No.	Model	A	B	C	D	E	F
520824	GP-SMPXFG-HP	48" 122 cm	24" 60.96 cm	28" 71.2 cm	16" 40.64 cm	18" 45.72 cm	5" 12.7 cm
520825	GP-SMPXFG-HP	60" 152.4 cm	24" 60.96 cm	28" 71.2 cm	16" 40.64 cm	18" 45.72 cm	5" 12.7 cm
520826	GP-SMPXFG-HP	72" 182.88 cm	24" 60.96 cm	28" 71.2 cm	16" 40.64 cm	24" 60.96 cm	5" 12.7 cm

PUMP PERFORMANCE DATA

