

## 10SC SERIES - 1/2 HP

### APPLICATIONS

Sewage and effluent wastewater transfer, dewatering

### FEATURES

- Permanent Split Capacitor (PSC)
- Energy-saving low amp draw
- Designed for continuous duty
- 2" FNPT (51 mm) and 3" FNPT (76.2 mm) discharge models
- Handles solids up to 2" (51 mm) diameter
- Multiple switch options for automatic operation
- 140 °F (60 °C) liquid temperature rating
- cCSAus listed



### SERIES SPECIFICATIONS

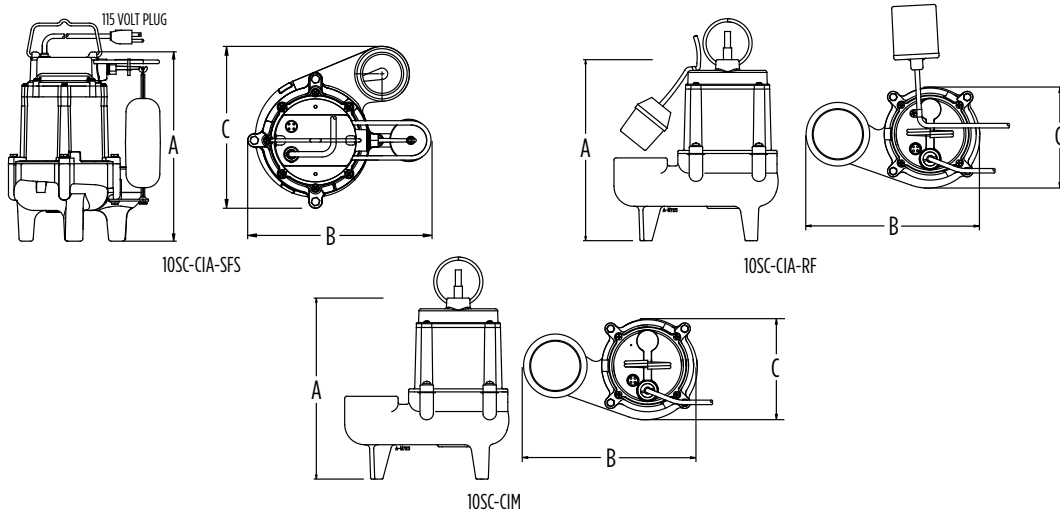
Model	HP	Volts	Hz	Amps	Watts	Max. Water Temp.	GPM / Liters per Minute @ Height			Shut-Off	
							5 ft / 1.5 m	10 ft / 3 m	15 ft / 4.6 m	ft / m	PSI / Bar
10SC (2" Discharge)	1/2	115	60	11	1230	140 °F (60 °C)	120 / 454	100 / 379	80 / 303	25 (7.6)	10.8 (0.75)
	1/2	230	50/60	-	-	140 °F (60 °C)	120 / 454	100 / 379	80 / 303	25 (7.6)	10.8 (0.75)
10SC (3" Discharge)	1/2	115	60	11.5	1270	140 °F (60 °C)	130 / 492	110 / 416	85 / 322	25 (7.6)	10.8 (0.75)
	1/2	230	50/60	-	-	140 °F (60 °C)	120 / 454	100 / 379	80 / 303	25 (7.6)	10.8 (0.75)

Item No.	Model	HP	Volts	Discharge	Switch Type / Operation	On Level	Off Level	Cord	Weight
511431	10SC-CIA-SFS	1/2	115	2"	Integral Snap-Action Float	11" - 14" 28 cm - 36 cm	6" - 9" 15 cm - 23 cm	20' 6.1 m	37.5 lbs 17.5 Kg
511433	10SC-CIA-RF	1/2	115	2"	Piggyback Mechanical Float	16" - 19" 41 cm - 48 cm	9" - 11" 23 cm - 28 cm	20' 6.1 m	36.5 lbs 16.56 Kg
511432	10SC-CIM	1/2	115	2"	Manual	-	-	20' 6.1 m	35.5 lbs 16.1 Kg
511434	10SC-CIM	1/2	115	2"	Manual	-	-	50' 15.2 m	37.5 lbs 17.5 Kg
511437	10SC-CIA-RF	1/2	115	3"	Piggyback Mechanical Float	16" - 19" 41 cm - 48 cm	9" - 11" 23 cm - 28 cm	20' 6.1 m	37.5 lbs 17.5 Kg
511435	10SC-CIM	1/2	115	3"	Manual	-	-	20' 6.1 m	36.5 lbs 16.56 Kg
511438	10SC-CIM	1/2	230	2"	Manual	-	-	20' 6.1 m	37.5 lbs 17.5 Kg
511436	10SC-CIM	1/2	230	3"	Manual	-	-	20' 6.1 m	36.5 lbs 16.56 Kg

# SEWAGE PUMPS

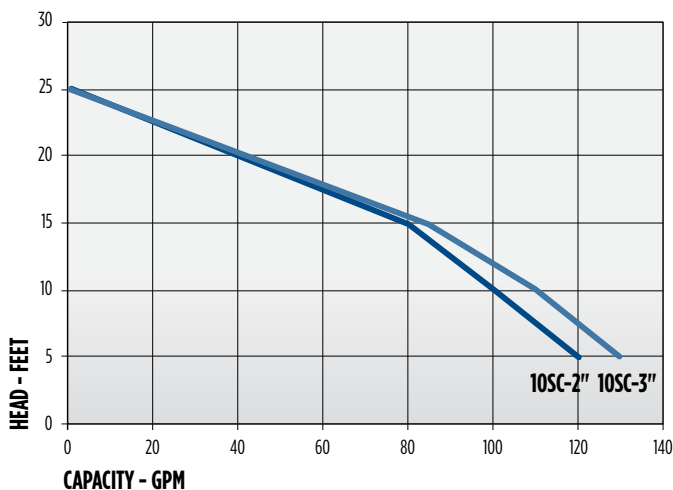
## 10SC SERIES - 1/2 HP

### ENGINEERING DATA



Model	A	B	C
10SC-CIA-SFS	14.8" (377 mm)	10.7" (273 mm)	8.6" (219 mm)
10SC-CIA-RF (2" Discharge)	14.0" (356 mm)	10.4" (264 mm)	8.6" (219 mm)
10SC-CIA-RF (3" Discharge)	14.0" (356 mm)	11.7" (298 mm)	9.5" (242 mm)
10SC-CIM (2" Discharge)	14.0" (356 mm)	10.4" (264 mm)	8.6" (219 mm)
10SC-CIM (3" Discharge)	14.0" (356 mm)	11.72" (297.6 mm)	9.5" (242 mm)

### PERFORMANCE DATA



### CONSTRUCTION

<b>Cover</b>	Epoxy-coated cast iron/ *Thermoplastic
<b>Motor Housing</b>	Epoxy-coated cast iron
<b>Impeller Material</b>	Thermoplastic elastomer
<b>Impeller Type</b>	Vortex
<b>Volute</b>	Epoxy-coated cast iron
<b>Mechanical Shaft Seal</b>	Nitrile with carbon and ceramic faces
<b>Fasteners</b>	Stainless steel
<b>Shaft</b>	Steel
<b>Bearings</b>	Upper sintered sleeve and lower ball bearings
<b>Power Cord</b>	SJTOW **SJTOW

\* On SFS models

\*\* On 30' 10SC-CIA-RF and 10SC-CIM models