



# Power+

## Maintenance Free AGM Battery

Power+ maintenance free batteries are revolutionizing the way we power our backup systems. Simply connect a battery or batteries to your backup system without having to perform monthly maintenance. The Power+ battery is completely sealed and spill-proof with no risk of exposure to hazardous chemicals. It is safe for standard shipping anywhere in the U.S.



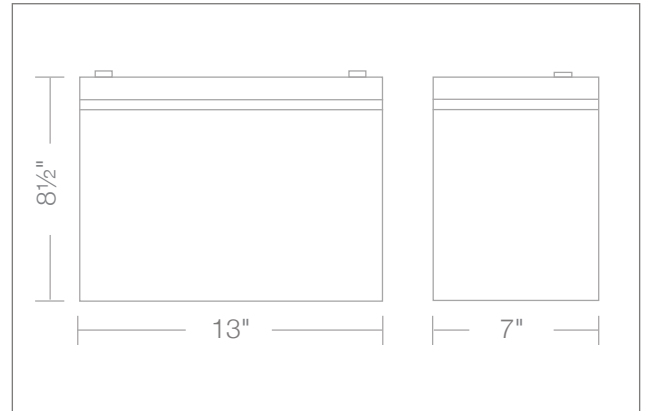
# Power+

Maintenance Free AGM Battery

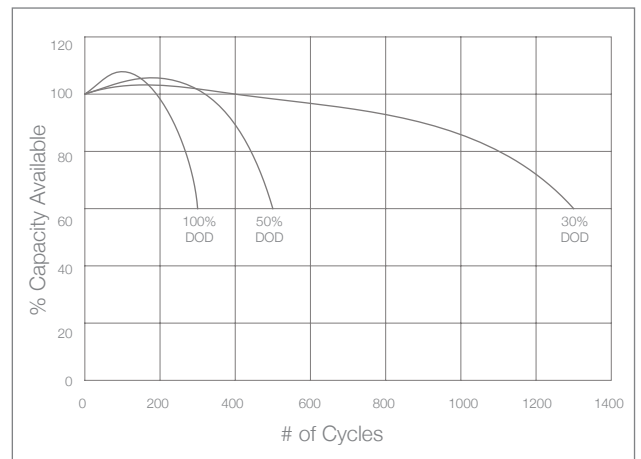
## System Specifications

Item Number	P20397
Nominal Voltage	12 Volt
20 Hr Rate Ah	120 Ah
Model	31P-36
Size L x W x H	13" X 7" X 8½"
Weight	70 lbs
Terminal	Type B threaded copper
Bolt Size	M6 bolt

## Dimensions



## Power+ Performance



## Features

- Maintenance free
- Lasts twice as long as typical batteries
- Completely sealed and spill-proof with no exposure to hazardous chemicals
- Safe for standard shipping in the USA
- Works with virtually all types of backup systems
- Performs up to 35% better than standard deep cycle batteries
- 3 year warranty