

# SUBMERSIBLE SUMP LIGHT EFFLUENT PUMPS

## SERIES MDC

The Myers MDC series cast iron sump/light effluent pumps are designed to operate in a variety of installations. A unique combination of corrosion-resistant materials make these pumps a great choice for extreme conditions. Pump intake screen, impeller, volute base, switch, and power cord are serviceable.

### APPLICATIONS

Sump/Light Effluent Dewatering.



### FEATURES

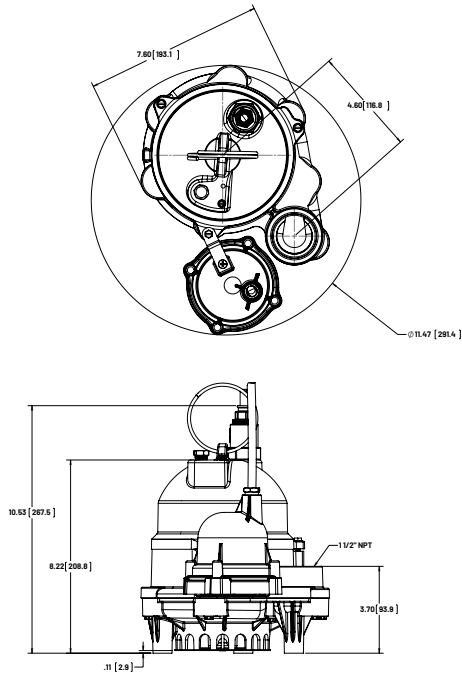
- ◆ **Solid and Reliable**  
High-endurance, oil-cooled motor provides continuous bearing lubrication and maximizes heat dissipation.
- ◆ **Motor Protection**  
Long-life carbon/ceramic seal protects motor against water leakage.
- ◆ **Thermal Overload**  
Heat sensor overload protection with automatic reset when motor cools to a safe operating temperature.
- ◆ **Piggyback Plug for Convenience**  
Offered in manual or automatic operation. Tethered, Vertical and Diaphragm switch models offer a piggyback plug for easy service.

## SPECIFICATIONS & PERFORMANCE

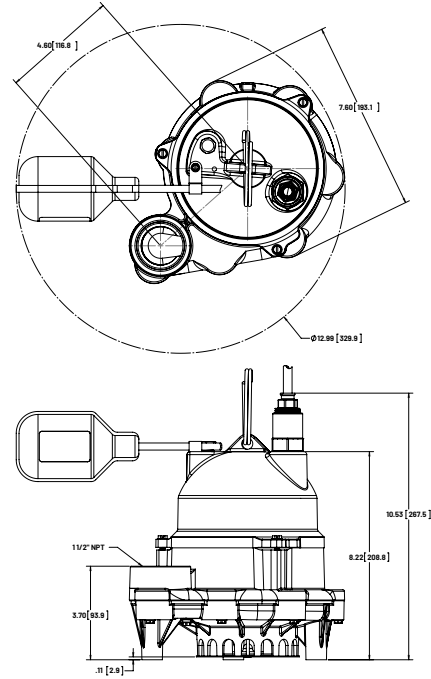
<b>CAPACITIES</b>	MDC33 - 48 GPM (182 LPM), MDC50 - 62 GPM (235 LPM)
<b>SHUT-OFF HEAD</b>	24' (7.3 m)
<b>FLOAT SWITCH ON/OFF DIMENSIONS</b>	On: 9" (229 mm), Off: 4" (102 mm)
<b>FLOAT SWITCH OPERATION</b>	Automatic or manual
<b>SOLIDS HANDLING</b>	1/2" (12.7 mm)
<b>LIQUIDS HANDLING</b>	Drainage effluent
<b>CONTINUOUS LIQUID TEMPERATURE</b>	130°F (54°C)
<b>MOTOR ELECTRICAL DATA</b>	MDC33, 9.8A; MDC50, 12A; shaded pole with thermal overload protection, 115V, 1Ø, 60Hz, 1550 RPM
<b>ACCEPTABLE PH RANGE</b>	6-9
<b>SHAFT SEAL</b>	Carbon and ceramic
<b>HOUSING/VOLUTE</b>	Heavy cast iron
<b>VOLUTE BASE</b>	Available in fiberglass reinforced polypropylene or heavy cast iron.
<b>IMPELLER</b>	Fiberglass-reinforced Noryl® with threaded brass insert
<b>EXTERIOR HARDWARE</b>	Stainless steel
<b>POWER CORD</b>	10' (3 m) or 20' (6 m), 16/3, SJTW-A, SJTW
<b>DISCHARGE, NPT</b>	1-1/2"
<b>MIN. BASIN DIAMETER</b>	10" (25.4 cm)

## DIMENSIONS

**DIAPHRAGM SWITCH**  
DESIGNED TO FIT 12" OR LARGER BASINS

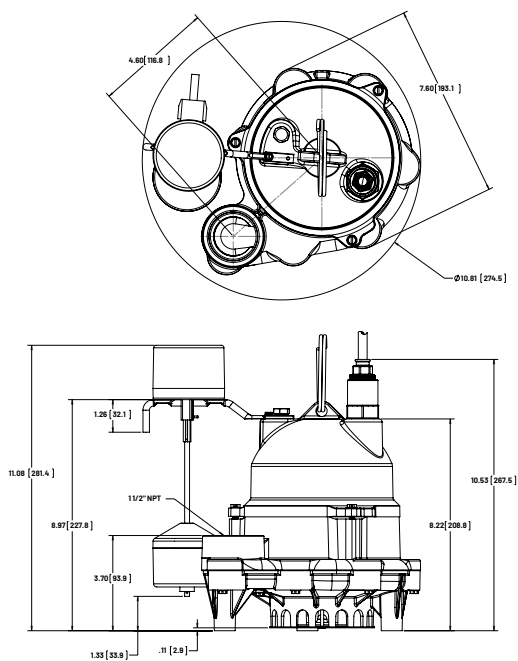


**TETHERED FLOAT**  
DESIGNED TO FIT 14" OR LARGER BASINS

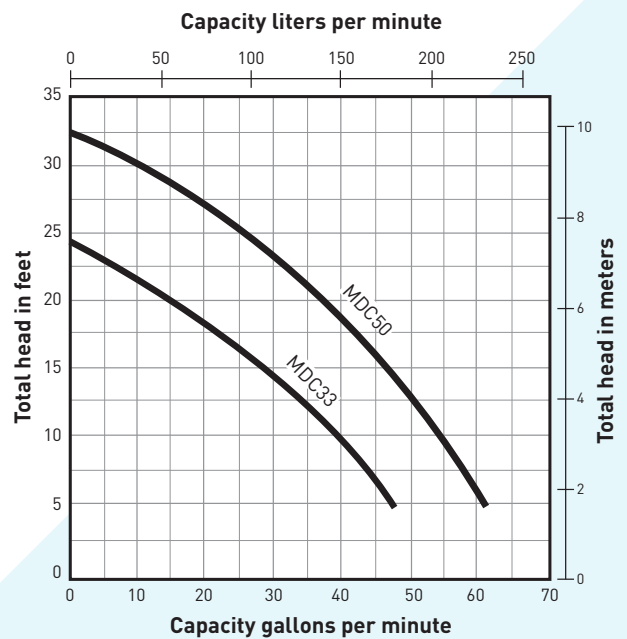


## DIMENSIONS

**VERTICAL FLOAT**  
DESIGNED TO FIT 12" OR LARGER BASINS



## PUMP PERFORMANCE



**ORDERING INFORMATION**

MODEL #	SWITCH	CORD	LOWER CASING VOLUTE MATERIAL	VOLTS/PHASE	AMPS	DISCHARGE	APPROX WT.V
MDC33T10	Tethered	10'(3.1 m)	Engineered Polymer	115/1	9.8	1-1/2" NPT	25 (11.4 kg)
MDC33T20	Tethered	20'(6.1 m)	Engineered Polymer		9.8		
MDC33TCI10	Tethered	10'(3.1 m)	Cast Iron		9.8		
MDC33TCI20	Tethered	20'(6.1 m)	Cast Iron		9.8		
MDC33V10	Vertical	10'(3.1 m)	Engineered Polymer		9.8		
MDC33V20	Vertical	20'(6.1 m)	Engineered Polymer		9.8		
MDC33VCI10	Vertical	10'(3.1 m)	Cast Iron		9.8		
MDC33D10	Diaphragm	10'(3.1 m)	Engineered Polymer		9.8		
MDC33M10	Manual	10'(3.1 m)	Engineered Polymer		9.8		
MDC33MCI10	Manual	10'(3.1 m)	Cast Iron		9.8		
MDC50T10	Tethered	10'(3.1 m)	Engineered Polymer		12.0		
MDC50T20	Tethered	20'(6.1 m)	Engineered Polymer		12.0		
MDC50TCI10	Tethered	10'(3.1 m)	Cast Iron		12.0		
MDC50TCI20	Tethered	20'(6.1 m)	Cast Iron		12.0		
MDC50V10	Vertical	10'(3.1 m)	Engineered Polymer		12.0		
MDC50V20	Vertical	20'(6.1 m)	Engineered Polymer		12.0		
MDC50VCI10	Vertical	10'(3.1 m)	Cast Iron		12.0		

All float switches are piggyback



293 Wright Street,  
 Delavan, WI 53115  
 USA  
 Ph: 888.782.7483  
 Orders Fax: 800.426.9446

490 Pinebush Road  
 Unit 4  
 Cambridge, Ontario N1T 0A5  
 Canada  
 Ph: 800.363.7867  
 Orders Fax: 888.606.5484

For more details,  
 visit [pentair.com](http://pentair.com)



All indicated Pentair trademarks and logos are property of Pentair. Third party registered and unregistered trademarks and logos are the property of their respective owners. Because we are continuously improving our products and services, Pentair reserves the right to change specifications without prior notice. Pentair is an equal opportunity employer.