

SANISWIFT Drain Pump

CONNECTIONS



SHOWER



SINK



DISHWASHER



LAUNDRY

APPLICATION



RESIDENTIAL



ResidentialGrade

Example of installation. Follow local plumbing codes for actual install.

The **Saniswift drain pump** is used to pump gray water away from a variety of fixtures in **residential applications**. The system is able to discharge the waste up to **14 feet vertical and/or 140 feet horizontal**.

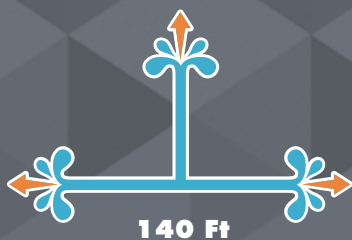
- Discharges the waste through either a **1", 1-1/4" or 1-1/2"** rigid pipe. A **non-return valve** is included on the discharge fitting assembly provided with the system.
- Has been designed with a **1-1/2" vent connection** on top of the lid. All plumbing codes require connection to a vent system. Either inlet located on top of the housing can be used for the vent or as an inlet. Please note that the vent system should be a two-way air vent as air needs to freely flow both ways. Note: The use of mechanical vents, air admittance valves or similar devices is not permitted.
- Discharges **gray water from a kitchen sink, shower, dishwasher, washing machine** (indirect connection via laundry sink). The gray water will drain into the system **via three 1-1/2" inlets**, two low inlets (with built-in check valves) on either side of the housing and one on top of the enclosure.



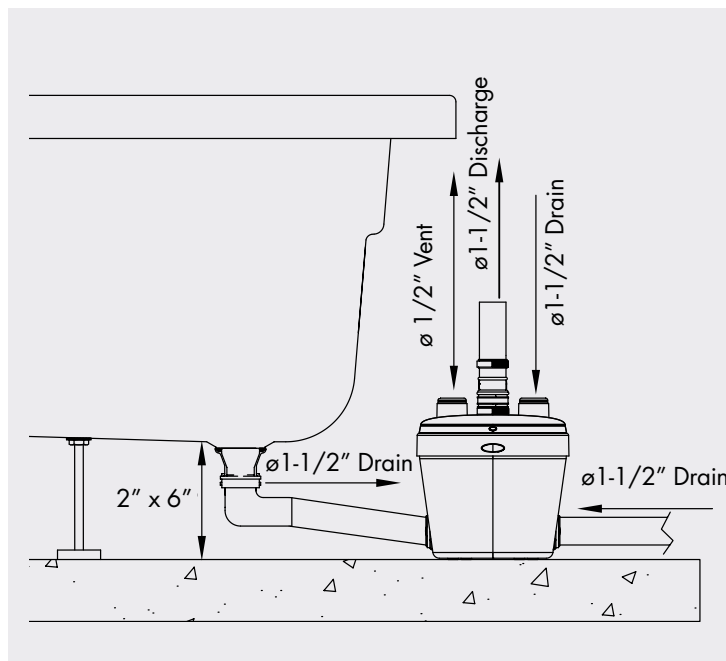
ResidentialGrade

PUMPING DISTANCE

14 Ft



140 Ft



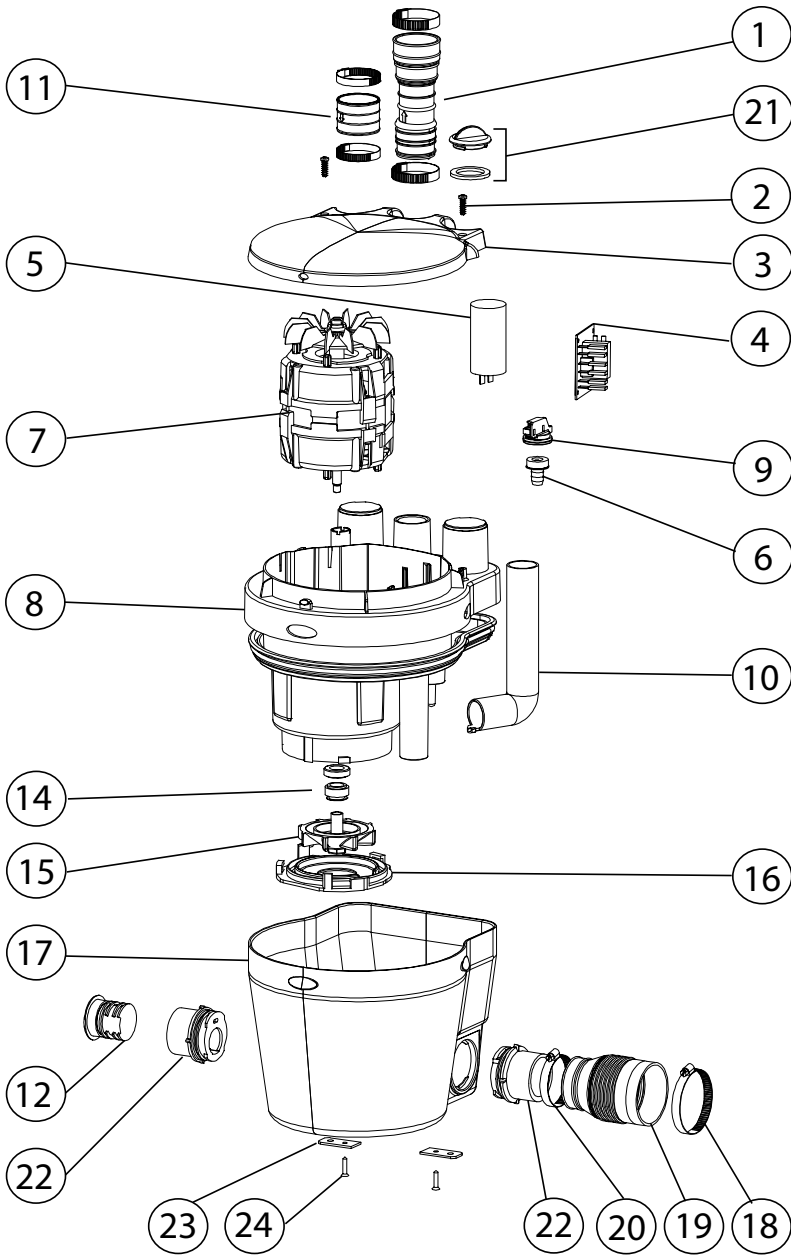
AN EASY SOLUTION FOR A REMOTE LAUNDRY ROOM INSTALLATION OR FOR ANY GRAY WATER APPLICATION

Powerful and economical with a compact design and multiple inlets which makes it perfect for installations anywhere you can imagine. The perfect quiet solution **designed with low drain inlets** which facilitate the installation of a shower in **residential applications**. Built-in check valves prevent any backup into the connecting fixtures.

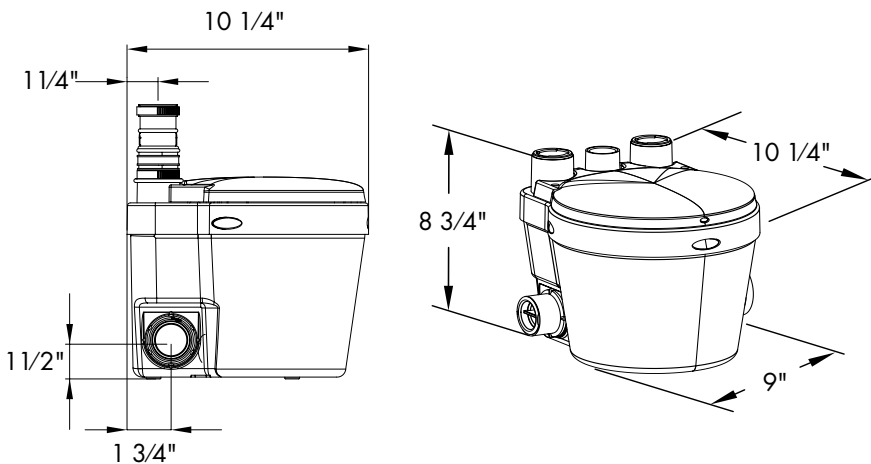
SANISWIFT • PART N° 021



PLEASE CALL US TOLL-FREE AT
800-571-8191 (US) / 800-363-5874 (CDN)
 TO PURCHASE PARTS REFERENCED BELOW



DIMENSIONAL DRAWINGS



An easy and inexpensive solution for gray water applications!

TECHNICAL SPECIFICATIONS

Pump type:

Drain pump

Electrical:

120 V – 60 Hz / 4.5 Amps (Max) *

Motor:

0.3 HP oil-filled thermally protected motor

Capacitor rating:

30 microfarad

Operating Temperature:

140°F

Power cord length:

48 inches

Noise level:

≤ 44 dBA (Lp) (measured at 3 ft.)

Discharge pipe diameter:

1" - 1-1/2"

Discharge rate at 14 ft:

18 GPM

Discharge rate at 3 ft:

24 GPM

Shut-off head:

25 ft.

Normal running time:

3-5 seconds (Short bursts)

Capacity:

2.75 gallons / 10.4 liters

Inlets:

1-1/2" (sides), 1-1/2" vent (top)

Method of activation:

pressure switch/ circuit board

Shower/bathtub base height:

6" min

Weight:

13 lbs / 5.9 kg

Certifying agencies:

CSA (IPC, NSPC)

Recommended accessories:

Descaler

Connections:

Sink, shower, washing machine (indirect),
 dishwasher, laundry sink, etc.

* Measured using 1" discharge. Information will vary once the discharge size is increased. Consult with factory.

