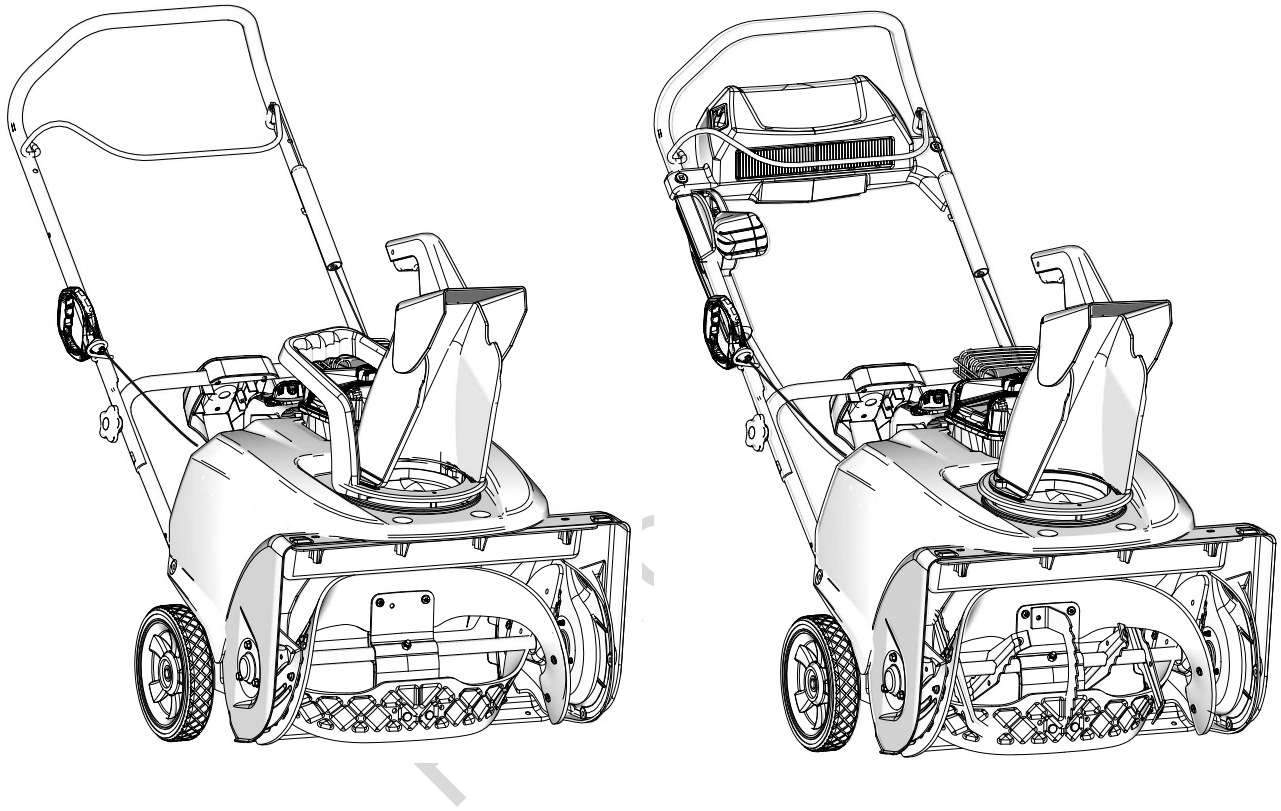


**en** **Operator's Manual** - Single Stage Snowthrower

**es** **Manual del operador** - Lanzanieve de una sola etapa

**fr** **Manuel d'utilisation** - Souffleuse à neige à simple étape de lancement



## Manual Contents:

General Information.....	2
Operator Safety.....	2
Features and Controls.....	5
Operation.....	6
Maintenance and Adjustments.....	11
Storage.....	14
Troubleshooting.....	15
Specifications.....	16

## General Information

For additional information, refer to the *Customer Contact Guide* and *Setup Instructions* included with the unit.

The illustrations in this document are representative. Your unit may vary from the images shown. *LEFT* and *RIGHT* are referenced from the operating position.

The use of Important and Note in the text indicates clarifications, exceptions, or alternatives to the procedures given.

All language translations of this document are derived from the original English source file.



All packaging, used oil, and batteries should be recycled according to applicable government regulations.

## Operator Safety

**Save these instructions for future reference.** This manual contains safety information to make you aware of the hazards and risks associated with the product and how to avoid them. It also contains important instructions that should be followed during the initial set-up, operation, and maintenance of the product.

The snowthrower is designed and intended only for clearing of snow from hard-surface ground-level walkways and driveways and is not intended for any other purpose.

It is important that you read and understand these instructions before attempting to start or operate this equipment.


Be thoroughly familiar with the controls and the proper use of the snowthrower.


Know how to stop the unit and disengage controls quickly.


## Safety Alert Symbol and Signal Words

The safety alert symbol  identifies safety information about hazards that can result in personal injury. A signal word

(**DANGER**, **WARNING**, or **CAUTION**) is used with the alert symbol to indicate the likelihood and the potential severity of injury. In addition, a hazard symbol may be used to represent the type of hazard.















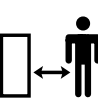
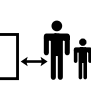

 **DANGER** indicates a hazard which, if not avoided, **will** result in death or serious injury.

 **WARNING** indicates a hazard which, if not avoided, **could** result in death or serious injury.

 **CAUTION** indicates a hazard which, if not avoided, **could** result in minor or moderate injury.

**NOTICE** indicates an action that could result in damage to the product.

## Snowthrower Hazard Symbols

Symbol	Meaning	Symbol	Meaning
	Safety information about hazards that can result in personal injury.		Read and understand the operator's manual before operating or servicing the unit.
	Amputation hazard - rotating impeller.		Remove the key before performing service. Read the operator's manual before performing service.
	Amputation hazard - rotating impeller.		Amputation hazard - rotating auger
	Amputation hazard - do not touch moving parts.		Thrown objects hazard.
	Fire hazard.		Explosion hazard.
	Shock hazard.		Toxic fume hazard.
	Hot surface hazard.		Kickback hazard.
	Keep a safe distance.		Keep children away.
	Wear safety glasses	---	---

## Safety Messages



### DANGER

This snowthrower is capable of amputating hands and feet, and throwing objects. Read and observe all the safety instructions in this manual. Failure to do so could result in death or serious injury.

Hand contact with the rotating auger inside the discharge chute is the most common cause of injury associated with snowthrowers.



### WARNING

Read, understand, and follow all the instructions on the snowthrower and in the operator's manual before operating this unit. Failure to observe the safety instructions in this manual could result in death or serious injury.

- Only allow operators who are responsible, trained, familiar with the instructions and physically capable to operate the machine.



### WARNING

Always wear safety glasses or eye shields during operation or while performing an adjustment or repair to protect eyes from foreign objects that may be thrown from the machine.



### WARNING

U.S.A. Models: Certain components in this product and its related accessories contain chemicals known to the State of California to cause cancer, birth defects, or other reproductive harm. Wash hands after handling.



### WARNING

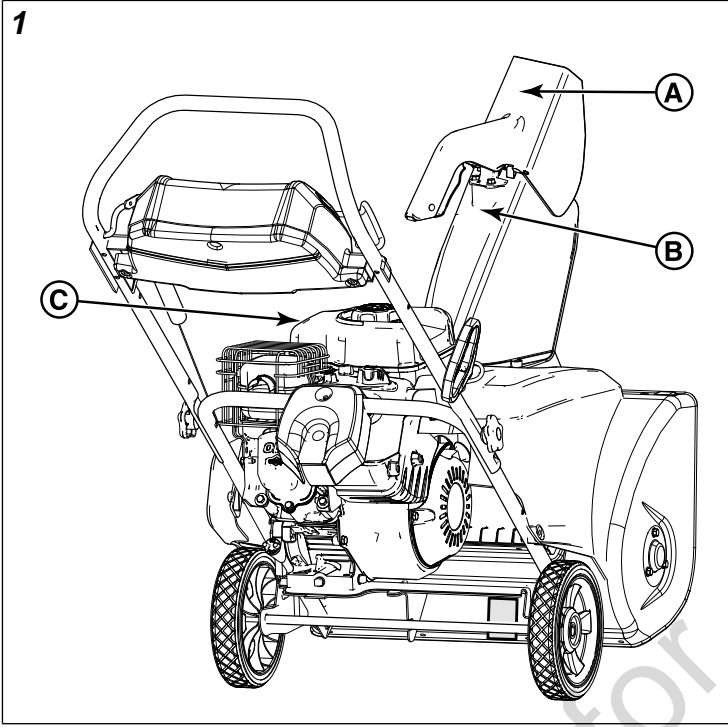
U.S.A. Models: The engine exhaust from this product contains chemicals known to the State of California to cause cancer, birth defects, or other reproductive harm.

U.S.A. Models: It is a violation of California Public Resource Code Section 4442 to use or operate the engine on any forest-covered, brush-covered, or grass-covered land unless the exhaust system is equipped with a spark arrester, as defined in Section 4442, maintained in effective working order. Other states or federal jurisdictions may have similar laws. Contact the original equipment manufacturer, retailer, or dealer to obtain a spark arrester designed for the exhaust system installed on this engine.

# Safety Decals

To avoid injury, read and understand the safety decals on the snowthrower before operating it. Match the call out letters in Figure 1 to the decals listed in the accompanying table.

If any safety decals become worn, damaged, or illegible, contact an authorized service dealer to order replacements.



**A**

<b>⚠ DANGER</b>	
<b>Amputation hazard</b>	
Contact with moving parts inside chute will cause serious injury.	
<ul style="list-style-type: none"> <li>• Shut off engine before unclogging discharge chute.</li> <li>• Use clean-out tool, not hands!</li> </ul>	
<b>Risque d'amputation</b>	
Tout contact avec des pièces en mouvement à l'intérieur de la goulotte provoquera de graves blessures.	
<ul style="list-style-type: none"> <li>• Arrêter le moteur avant de dégager la goulotte d'éjection.</li> <li>• Utiliser l'outil de dégagement, pas les mains!</li> </ul>	
1737865	

**B**

<b>⚠ DANGER</b>		
Shut off engine and remove key before performing maintenance or repair work.		Arrêter le moteur et retirer la clé avant d'effectuer tout entretien ou toute réparation.
Read the operator's manual for operating and safety instructions.		Lire les consignes de sécurité et d'utilisation dans le manuel d'utilisation.
<b>Thrown Objects Hazard</b> • Never direct discharge chute towards persons or property.		<b>Danger objets projetés</b> • Ne jamais diriger la chute en direction des personnes ou biens matériels.
<b>Amputation Hazard</b> • Contact with auger will cause serious injury. • Keep hands, feet and clothing away. • Keep bystanders away.		<b>Risque d'amputation</b> • Tout contact avec la tarière provoquera de graves blessures. • Tenir vos pieds, vos mains et vêtements à distance. • Tenir les spectateurs à distance.
This spark ignition system complies with the Canadian standard ICES-002. Ce système d'allumage par étincelle de véhicule est conforme à la norme NMB-002 du Canada.		

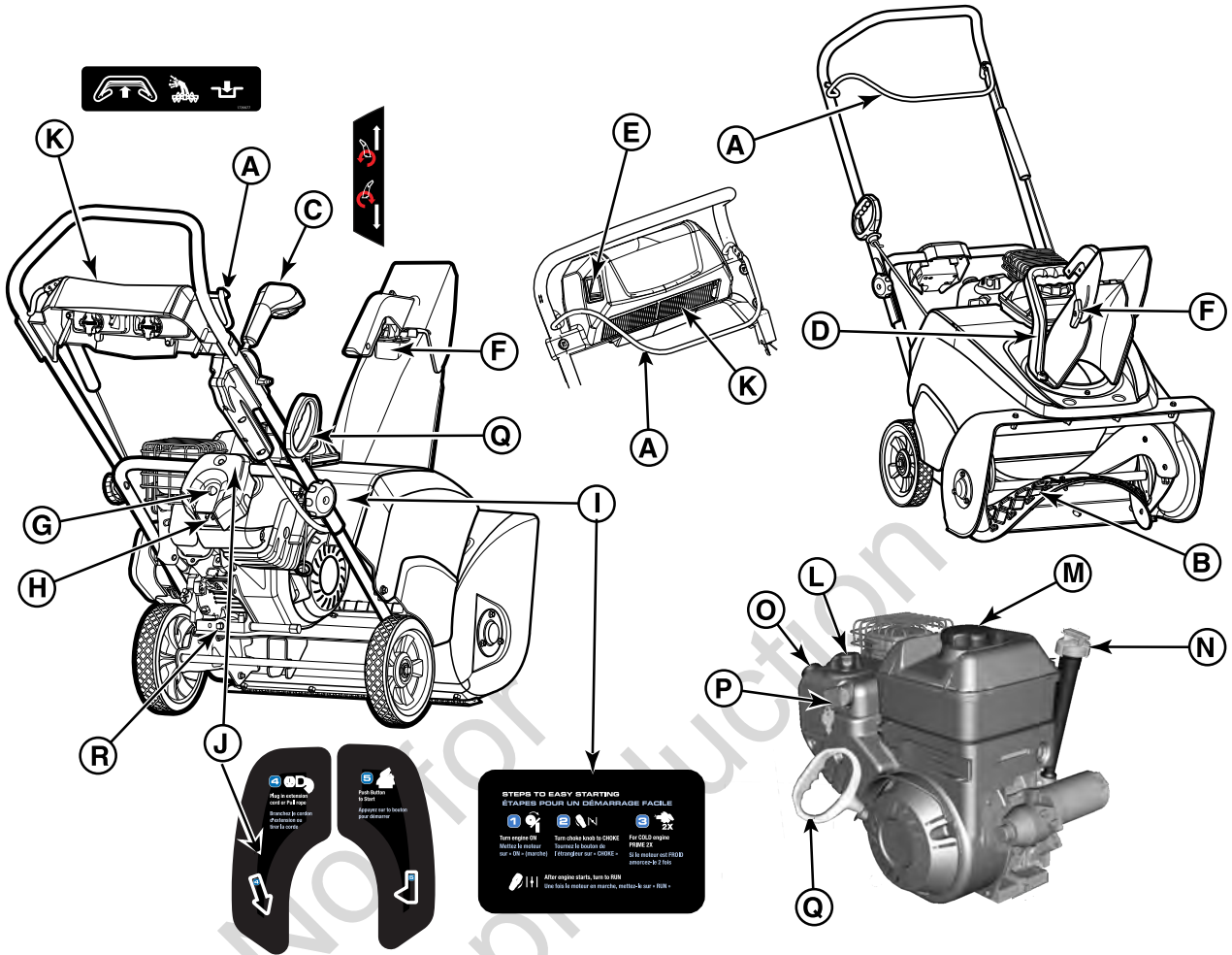
**C**

<b>WARNING</b>		<b>AVERTISSEMENT</b>
Read and follow Operating Instructions before running or servicing engine.		Lire et suivre les instructions d'utilisation avant de démarrer ou effectuer l'entretien du moteur.
Gasoline is flammable. Allow engine to cool at least 2 minutes before refueling.		L'essence est inflammable. Laisser refroidir le moteur pendant au moins 2 minutes avant de faire le plein.
Engines emit carbon monoxide, DO NOT run in enclosed area.		Les moteurs émettent du monoxyde de carbone. NE PAS faire tourner le moteur dans des espaces clos.
Muffler area temperature may exceed 150°F. Do not touch hot parts.		Autour du silencieux, la température peut dépasser 150°F. Ne pas toucher des pièces chaudes.
279655		

# Features and Controls

Match the call out letters in Figure 2 to the features and controls listed in the accompanying table.

2



## Control Symbols and Meanings

A		Auger control
B	----	Auger
C		Chute Control - Handle Mount (if equipped)
D		Chute Control - Chute Mount (if equipped)
E		Chute Control - Switch Mount (if equipped)
F		Deflector Control - Trigger or Wing Knob
G		Starter button
H		Starter Receptacle
I	----	Starting Instructions Decal (if equipped)

J	----	Starting Instructions Decal (if equipped)
K		Headlight (if equipped)
L		Choke closed; choke open
M	----	Fuel Tank Cap
N	----	Oil Fill/Dipstick
O		Primer button
P		On / Off switch
Q	----	Starter Cord Handle
R	----	Oil Drain Plug



# Operation



## WARNING

This snowthrower is only as safe as the operator. If it is misused, or not properly maintained, it can be dangerous. Remember you are responsible for your safety and those around you.

- When leaving the operating position always disengage the auger, turn off the engine, and remove the key. Never leave a running machine unattended.
- Never operate the snowthrower without proper guards, and other safety protective devices in place and working.
- Exercise extreme caution when operating on or crossing gravel drives, walks, or roads. Stay alert for hidden hazards or traffic.
- Never operate the snowthrower without good visibility or light. Always be sure of your footing, and keep a firm hold on the handles. Walk; never run.
- Exercise caution to avoid slipping or falling, especially when operating the snowthrower in reverse.
- Exercise extreme caution when operating on slopes.
- After striking a foreign object, stop the engine (motor), remove the wire from the spark plug, disconnect the cord on electric motors, thoroughly inspect the snowthrower for any damage, and repair the damage before restarting and operating the snowthrower.
- Do not operate the equipment without wearing adequate winter garments. Avoid loose fitting clothing that can get caught in moving parts. Wear footwear that will improve footing on slippery surfaces.
- Never touch a hot muffler or engine. Allow muffler/engine cylinder to cool before touching.

## Operating Area

1. Familiarize yourself with the area in which you plan to operate the snowthrower. Mark off all boundaries of walkways and driveways.
2. Ensure the area to be cleared is free of debris or objects that could be picked up by the auger and thrown from the chute.



## WARNING

This machine is capable of throwing objects that could injure bystanders or cause damage to buildings.

3. Before starting the engine, move the snowthrower outdoors and away from windows and doors.



## WARNING

Engines give off carbon monoxide, an odorless, colorless, poison gas. Breathing carbon monoxide can cause nausea, fainting, or death.

- Start and run engine outdoors.
  - Do not run the engine in an enclosed area, even if doors or windows are open.
4. Ensure the operating area is clear of bystanders, especially children.



## WARNING

This snowthrower is capable of amputating hands and feet, and throwing objects. Read and observe all the safety instructions in this manual. Failure to do so could result in death or serious injury.

- Keep children out of the area during operation.
- Children are often attracted to the equipment. Be mindful of all persons present.
- Be alert and turn the unit off if bystanders enter the area.
- Use extra care when approaching blind corners, shrubs, trees, or other objects that may obscure vision.

## Starting the Engine

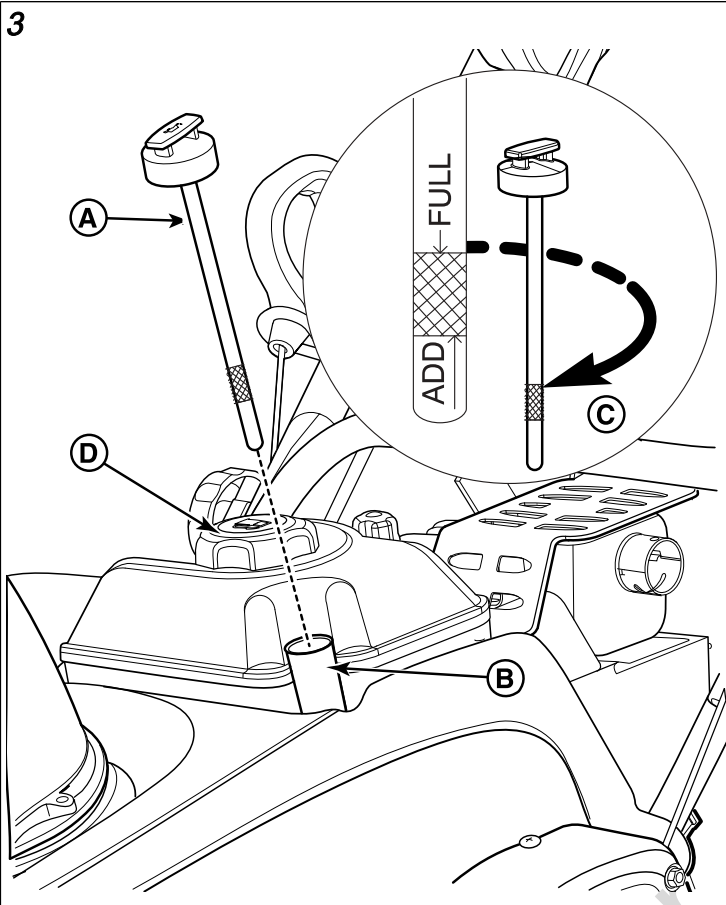
### Checking Oil

#### NOTICE

The engine was shipped from the factory without oil. Before you start the engine, ensure that you add oil according to the instructions in this manual. If you start the engine without oil, it will be damaged beyond repair and will not be covered under the warranty.

Use Briggs & Stratton Synthetic **5W-30** Warranty Certified oil for best performance. Other high-quality detergent oils are acceptable if classified for service SG, SH, SJ or higher. Do not use any additives.

1. Place the unit on a level surface.
2. Clean the oil fill area of any moisture or debris.
3. Remove the oil dipstick (**A**, Figure 3) and wipe it with a clean cloth.
4. Insert and tighten the dipstick, then remove it again to check the oil level. It should be at the top of the full indicator (**C**).
5. To add oil, pour slowly into the engine oil fill (**B**). Do not overfill.
6. Wait one minute before checking the oil level.
7. When the oil level is at the top of the full indicator (**C**), install and tighten the dipstick.



### Adding Fuel

Fuel must meet these requirements:

- Clean, fresh, unleaded gasoline
- A minimum of 87 octane / 87 AKI (90 RON)
- Up to 10% ethanol is acceptable

### NOTICE

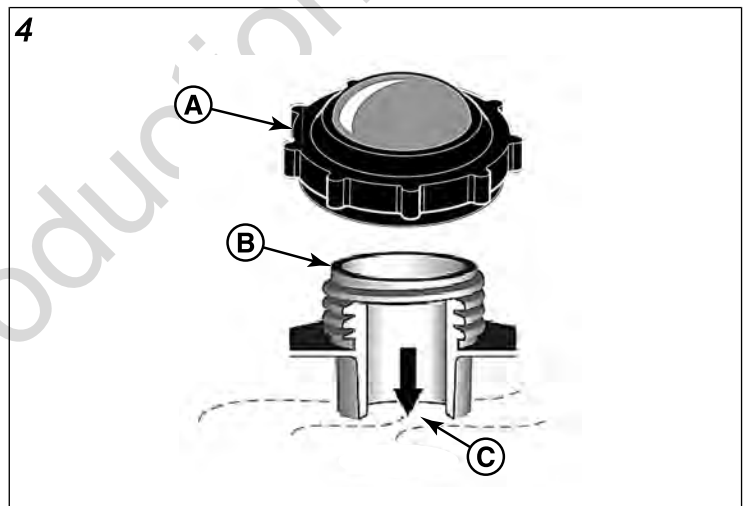
Do not use unapproved gasolines, such as E15 and E85. Do not mix oil in gasoline or modify the engine to run on alternate fuels. Use of unapproved fuels will cause engine damage that will not be covered under warranty.

At altitudes over 5,000 feet (1524 meters), a minimum 85 octane / 85 AKI (89 RON) gasoline is acceptable. To remain emissions compliant, high altitude adjustment is required. Operation without this adjustment will cause decreased performance, increased fuel consumption, and increased emissions. See an authorized service dealer for high altitude adjustment information. Operation altitudes below 2,500 feet (762 meters) with the high altitude adjustment is not recommended.



Fuel and its vapors are extremely flammable and explosive. Always handle fuel with extreme care. Failure to observe these safety instructions can cause a fire or explosion which could result in severe burns or death.

- Do not add fuel while engine is running. Let the engine cool at least 2 minutes before adding fuel.
  - Fill the fuel tank outdoors only, using an approved fuel container with the unit directly on the ground.
  - Keep fuel away from sparks, open flames, pilot lights, heat, and other ignition sources.
  - Allow any spilled fuel to evaporate before starting the engine.
  - If fuel is spilled on clothing change clothing immediately.
1. Slowly remove the fuel cap (A, Figure 4) and fill the tank (B) with fuel. Do not fill higher than the bottom of the fuel tank neck (C).
  2. Reinstall the fuel cap. Allow any spilled fuel to evaporate before starting the engine.



### Starting Engine



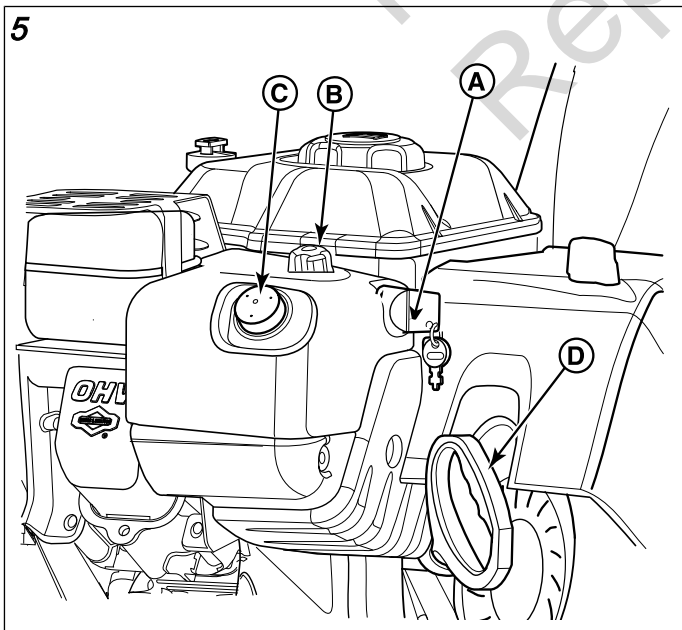
Fuel and its vapors are extremely flammable and explosive. Always handle fuel with extreme care. Failure to observe these safety instructions can cause a fire or explosion which could result in severe burns or death.

- Ensure that spark plug, muffler, fuel cap, and air cleaner (if equipped) are in place and secured.
- Do not crank the engine with the spark plug removed.
- Do not use pressurized starting fluids because their vapors are flammable.
- Do not over-prime the engine. Follow the engine starting instructions in this manual.
- If the engine floods, set choke (if equipped) to OPEN/RUN position, move throttle (if equipped) to FAST position and crank until engine starts.

1. Ensure the auger control is disengaged.
2. Insert the ignition key (A, Figure 5) and turn it to the ON position or push in the Push/Pull key.
3. Turn the choke control (B) to the Closed position.  
*Note:* Choke is usually not needed when starting a warm engine.
4. Press the primer (C) two times.  
*Note:* Primer is usually not needed when starting a warm engine.
5. **Rewind start:** Firmly hold the starter cord handle (D). Pull the handle slowly until resistance is felt, then pull rapidly.



Rapid retraction of the starter cord (kickback) will pull your hand and arm toward the engine faster than you can let go. Broken bones, fractures, bruises, or sprains could result.



6. **Electric start:** Connect the extension cord (E, Figure 6) to the starter box (F) on the engine and then to the wall receptacle. Press the starter box pushbutton (G). After the engine starts, disconnect the extension cord from the wall receptacle and then from the starter box.



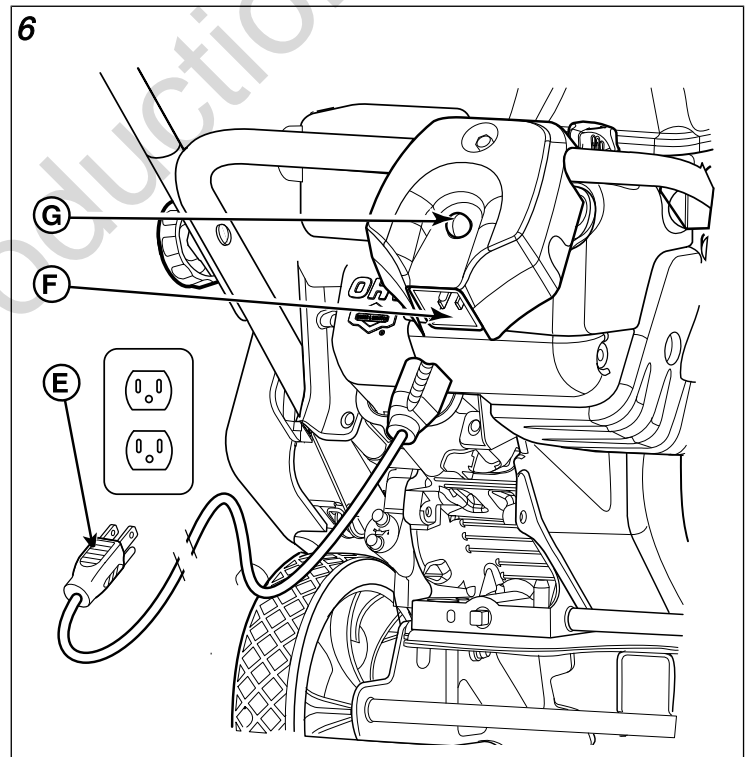
Damaged or ungrounded power cords could cause electric shock. Electric shock could cause severe burns or death.

- Use only a three-conductor power cord properly grounded to the power source.
- If the extension cord is damaged, it must be replaced by the manufacturer or its service agent or a similarly qualified person.

**NOTICE** To extend the life of the starter, use short starting cycles (five seconds maximum). Wait one minute between starting attempts.

If the engine does not start after repeated attempts, contact an authorized service dealer or go to our website.

7. Allow the engine to warm up for several minutes. Gradually move the choke control to the Open position.



## Stopping the Engine

1. Turn the ignition key (A, Figure 5) to the OFF position and remove it or remove the Push /Pull key, if equipped.
2. Keep the key in a safe place out of the reach of children. The engine cannot be started without the key.



## Adjusting the Discharge Chute and Deflector



### WARNING

Ice, gravel, or other unintended objects can be picked up by the auger and thrown from the chute with force. Objects thrown from the chute could cause death, serious injury, or property damage.

- Always be aware of the direction the snow is being thrown.

**NOTICE** Do not use the chute deflector or the chute rotation handle to lift the unit. These were designed for making needed adjustment only.

### Chute Rotation - Handle Mount (if equipped)

1. Squeeze and hold the button on the chute control handle (C, Figure 7).
2. Push the handle forward or pull it rearward to rotate the chute.
3. Release the button to lock the chute in the desired position.

**NOTICE** Do not use excessive force when trying to operate the control.

### Chute Rotation - Chute Mount (if equipped)

1. Grasp the chute control handle at the base of the chute (D, Figure 7).
2. Turn the handle left or right to rotate the chute. A tension plate holds the chute in the desired position.

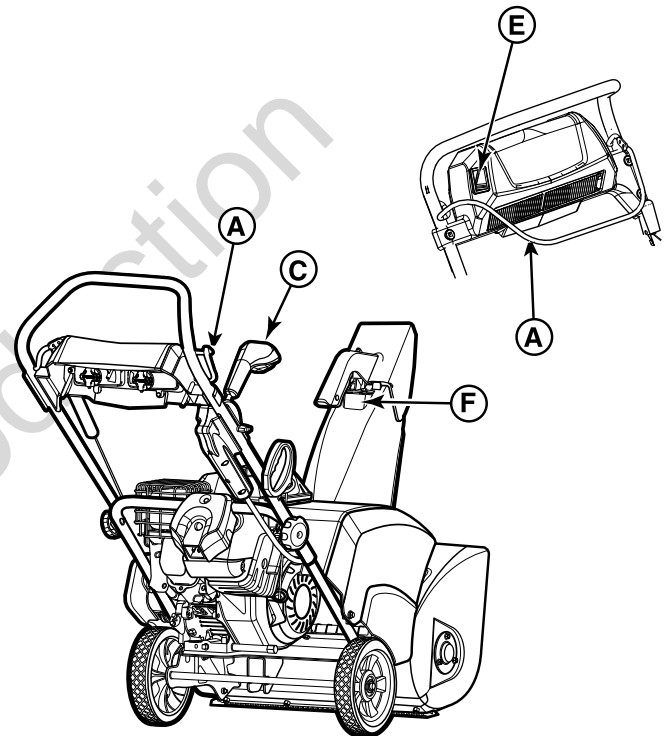
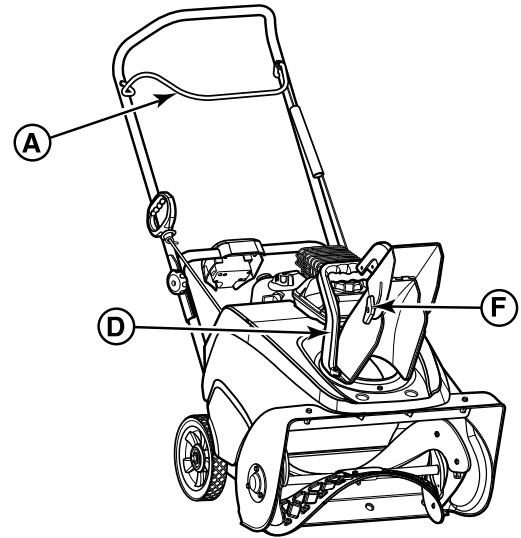
### Chute Rotation - Switch Mount (if equipped)

1. Press the switch (E, Figure 7) to rotate the chute.
2. Release the switch to lock the chute in the desired position.

### Deflector Adjustment

1. Squeeze and hold the button on the deflector control handle (F, Figure 7), or loosen the wing knob (F).
2. Move the deflector up or down to adjust the snow discharge height and distance.
3. Release the button to lock the deflector in the desired position, or tighten the wing knob.

7



## Engaging the Auger



### DANGER

The discharge chute contains a rotating auger to throw snow. Fingers or feet can quickly become caught in the auger resulting in traumatic amputation or severe laceration. Failure to observe these safety instructions will result in traumatic amputation or severe laceration.

1. Pull the auger control (A, Figure 7) against the handle to engage the auger.

2. Release the auger control to disengage the auger. The auger must stop within 5 seconds after the auger control is released. If it does not;
  - Adjust the control cable. See **Adjusting the Auger Control Cable**.
  - If the auger still does not stop within 5 seconds, see an authorized dealer.

**NOTICE** Do not overload the machine capacity by attempting to clear snow at too fast of a rate.

## Clearing a Clogged Discharge Chute



**DANGER**

The discharge chute contains a rotating auger to throw snow. Fingers can quickly become caught in the auger resulting in traumatic amputation or severe laceration. Never clear a clogged discharge chute with your hands. Always use a clean-out tool.

To safely clear a clogged discharge chute, follow these instructions:

1. Stop the engine and remove the key.
2. Ensure that the auger has stopped rotating.
3. Use a clean-out tool to remove snow from the discharge chute. Never clear a clogged discharge chute with your hands!

## Using the Headlight

Some models are equipped with a headlight to help illuminate the area in front of the snowthrower. The headlight is on whenever the engine is running. There is no switch.

Not for  
Reproduction

# Maintenance and Adjustments

We recommend contacting an authorized service dealer for all maintenance, adjustments, and servicing of the unit. Some routine maintenance tasks can be performed by the owner. Refer to the maintenance schedule and procedures that follow.

## CAUTION

All the components used to build this product must remain in place for proper operation. Replacement parts must be of the same design and installed in the same position as the original parts. Other parts may not perform as well, may damage the unit, and may result in injury.

## WARNING

This snowthrower must be properly maintained to ensure safe operation and performance. Failure to observe the safety instructions in this manual could result in death or serious injury.

- Before performing any maintenance or repairs on the snowthrower, shut OFF the engine and remove the ignition key or the Push/Pull key.

# Maintenance Schedule

<b>First 5 Hours</b>
Change oil
<b>Before Each Use</b>
<ul style="list-style-type: none"> <li>• Check engine oil level</li> <li>• Check auger stop time</li> </ul>
<b>After Each Use</b>
Remove accumulated snow and slush to prevent freezing of the controls, wheels, discharge chute, and auger
<b>Every 25 Hours or Annually</b>
<ul style="list-style-type: none"> <li>• Check scraper bar and rubber auger for wear</li> <li>• Change engine oil</li> <li>• Check snowthrower for loose hardware</li> <li>• Check auger control cable adjustment</li> <li>• Check condition of muffler and muffler guard</li> <li>• Replace sparkplug (dealer service)</li> <li>• Check valve clearance* (dealer service)</li> </ul>

\* Not required unless problems are noted with engine performance.

# Emissions Control

Maintenance, replacement, or repair of the emissions control devices and systems may be performed by any non-road engine repair establishment or individual. However, to obtain “no charge” emissions control service, the work must be performed by a factory authorized dealer.

# Changing the Engine Oil

Used oil must be disposed of properly. Do not discard with household waste. Check with your local authorities, service center, or dealer for safe disposal or recycling facilities.

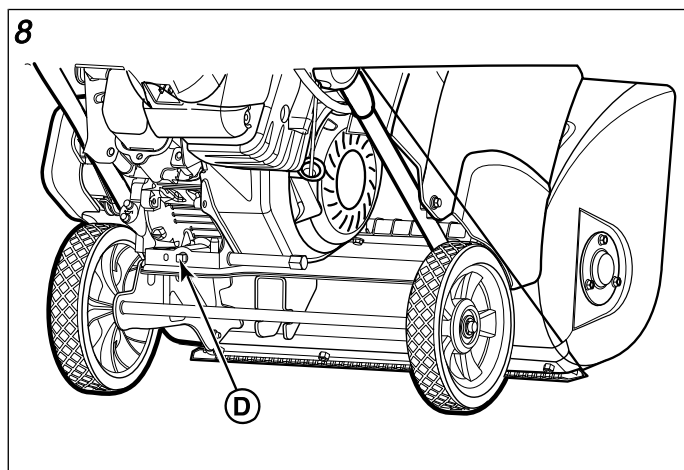
Use Briggs & Stratton Synthetic 5W-30 Warranty Certified oil for best performance. Other high-quality detergent oils are acceptable if classified for service SG, SH, SJ or higher. Do not use any additives.

1. With the engine stopped but still warm, turn the ignition key to the OFF position and remove it or pull out the Push/Pull key (if equipped).

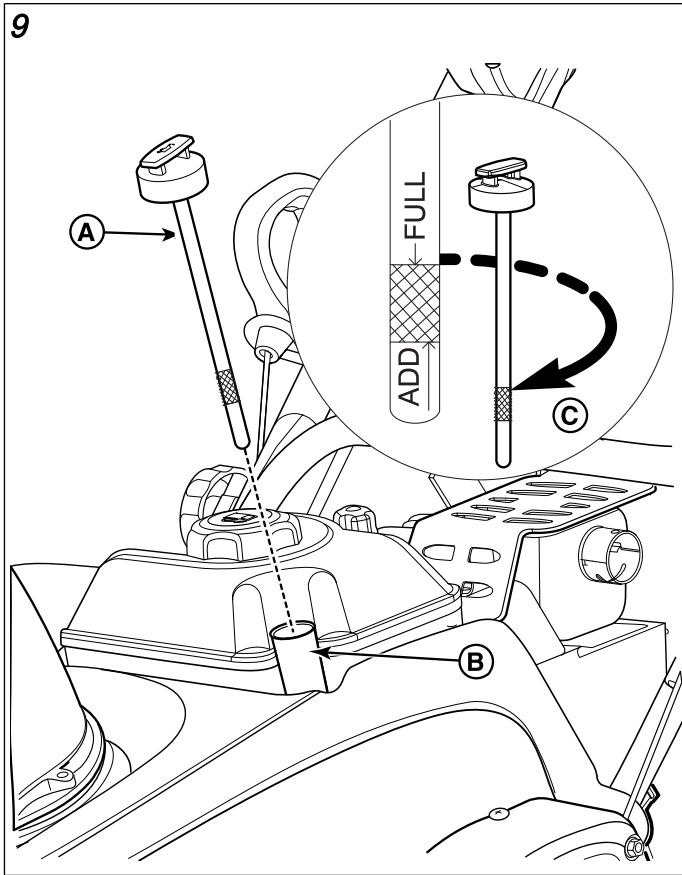
## WARNING

Fuel and its vapors are extremely flammable, which could cause burns or fire resulting in death or serious injury.

- When performing maintenance that requires the unit to be tipped, the fuel tank must be empty or fuel can leak out and result in a fire or explosion.
2. Remove the oil drain plug (D, Figure 8) and tilt the snowthrower slightly to drain the oil into an appropriate container.
  3. After the oil has drained, install and tighten the oil drain plug (D).



4. Place the unit on a level surface.
5. Clean the oil fill area of any moisture or debris.
6. Remove the dipstick (A, Figure 9) and wipe it with a clean cloth. Set it aside.



7. To add oil, pour slowly into the engine oil fill tube (B). See **Specifications** for the oil capacity. Do not overfill.
8. Wait one minute before checking the oil level.
9. Insert and tighten the dipstick, then remove it again to check the oil level. It should be at the top of the full indicator (C).
10. When the oil level is at the top of the full indicator, install and tighten the dipstick.

## Adjusting the Auger Control Cable

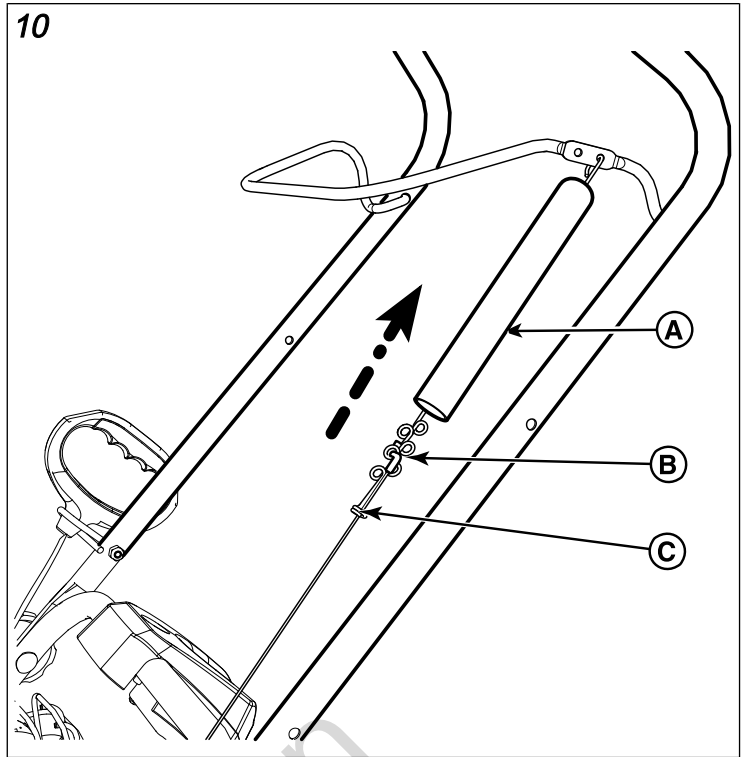


The discharge chute contains a rotating auger to throw snow. Fingers or feet can quickly become caught in the auger resulting in traumatic amputation or severe laceration.

- Over-tightening the auger cable may cause the auger to rotate even if the auger control lever is not pressed down.

The auger should rotate only when the auger control is engaged and must stop within 5 seconds when the auger control is released. If the auger does not rotate or does not stop as described, adjust the control cable or contact an authorized service dealer to adjust the control cable.

1. Shut OFF the engine and remove the ignition key or the Push/Pull key.
2. Lift the cable cover (A, Figure 10) to expose the adjustment loops (B) and the cable end fitting (C).



3. Remove the end fitting from the adjustment loop and reinstall as follows:
  - If the auger rotates while the auger control is not engaged, lengthen the control cable by installing the end fitting in the next lowest loop (decrease belt tension).
  - If the auger does not rotate when the auger control is engaged, shorten the control cable by installing the end fitting in the next highest loop (increase belt tension).

*Note:* Some slack must remain in the cable when the auger control is not engaged.

4. Lower the cable cover into place.
5. After adjustment, perform the test below:



Check the operation of the auger control using the test below. If the unit does not operate as described, DO NOT use it. Contact an authorized service dealer to have the unit inspected and adjusted or repaired.

### Testing the Auger Control

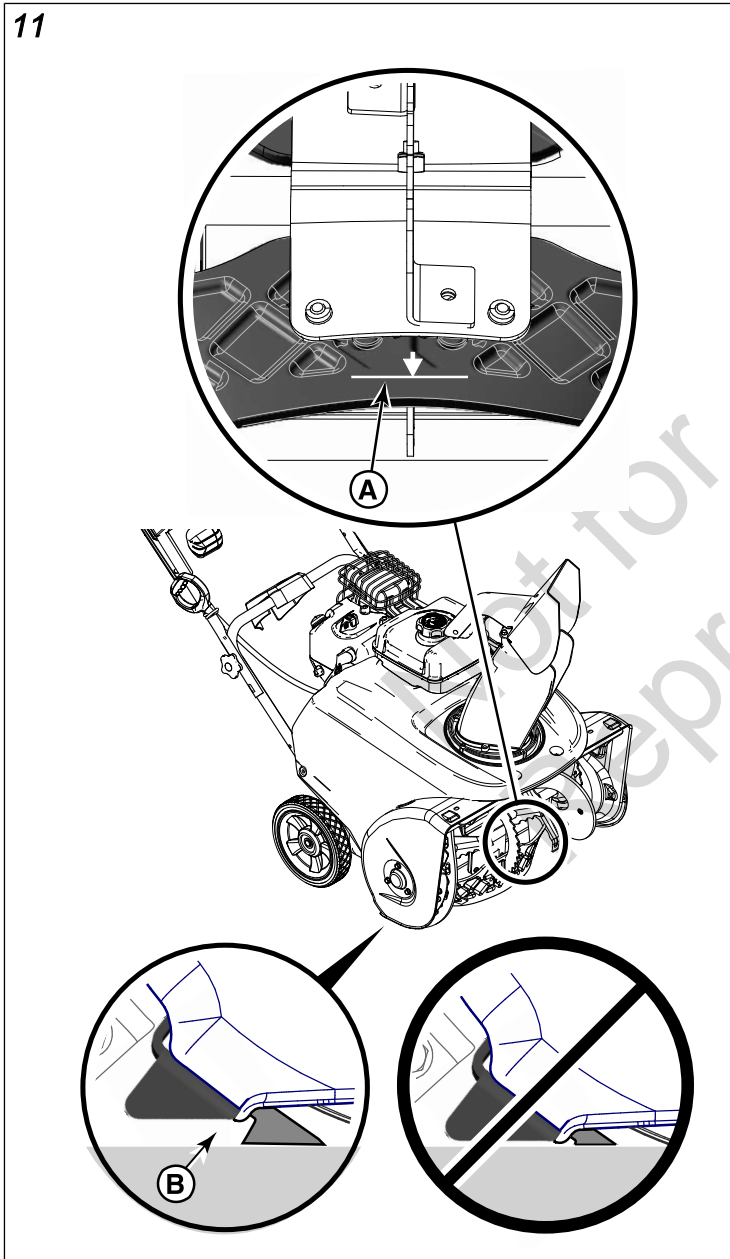
With the engine running:

- Press down and hold the auger control lever. The auger should rotate.
- Release the auger control lever. **The auger must stop within 5 seconds.**

## Maintaining the Auger and Scraper Bar

1. Shut OFF the engine and remove the ignition key or the Push/Pull key.
2. Check the wear limit on the rubber auger (**A**, Figure 11) and the gap between the scraper bar support and the ground (**B**).
  - If the wear limit on the rubber auger is reached, the two rubber flights need replacing. Contact an authorized dealer.
  - If the scraper bar support makes contact with the ground, the scraper bar needs replacing. Contact an authorized dealer.

11



# Storage

At the end of the season, or whenever the unit will be stored for 30 days or more, follow the storage checklist below.



Gasoline is highly flammable and its vapors are explosive. Fumes may travel to a distant ignition source and an explosion and/or fire could result.

- If there is fuel in the tank, do not store the unit indoors or in a poorly ventilated area where fumes could reach sparks, open flames, pilot lights, heat, and other ignition sources.

## Engine:

Fuel can become stale when stored more than 30 days. Stale fuel can cause acid and gum deposits to form in the fuel system and the carburetor. To keep fuel fresh, add **Briggs & Stratton Advanced Formula Fuel Treatment & Stabilizer**.

- There is no need to drain the fuel from the engine if a stabilizer is added according to instructions. Run the engine for 2 minutes to circulate the stabilizer throughout the fuel system. If no stabilizer is added, the fuel must be drained from the engine into an approved container. Then run the engine until it stops from lack of fuel.
- While the engine is still warm, change the oil. See **Changing the Engine Oil**.

## Snowthrower:

- Ensure all nuts, bolts, and screws are securely fastened.
- Inspect all external moving parts for damage and wear. Replace parts as necessary.
- For unpainted or bare metal surfaces, apply a rust preventative product.
- Store the unit indoors and cover it.
- If the unit must be stored outdoors, cover it with a heavy tarpaulin.

## Returning the Unit to Service:

- Have an authorized service dealer perform annual maintenance tasks. See **Maintenance Schedule**.
- Check the engine oil level and add oil if necessary.
- Check unit for debris around the muffler and cylinder areas.
- Fill the fuel tank with fresh, clean fuel.
- Ensure all guards, shields, and covers are in place.
- Test the auger control.



# Troubleshooting

Problem	Cause	Solution
Auger does not stop when auger control is released	Control cable requires adjustment	See <b>Adjusting the Auger Control Cable</b> .
Auger does not turn when auger control is engaged	Control cable requires adjustment	See <b>Adjusting the Auger Control Cable</b> .
Engine does not start Chute rotation or deflector adjustment does not work	Chute or deflector is frozen	Clear snow or ice from chute and deflector parts; place snowthrower in a heated area until snow or ice melts.
	Key is off	Turn key to the ON position.
	Primer not pressed	Press primer button twice before pulling starter rope.
	Out of fuel	Fill fuel tank with fresh fuel.
	Choke open - cold engine	Turn choke to closed position before pulling starter rope.
	Engine flooded	Turn choke to open position; pull starter rope several times until engine starts.
	Water in fuel or old fuel	Fill fuel tank with fresh fuel.
	Cord not plugged in or circuit breaker tripped (electric start models)	Plug in cord or replace defective cord; reset circuit breaker.
Engine is hard to start or runs poorly	Incorrect oil	Change oil to lighter viscosity (such as 5W-30).
	Choke control set incorrectly	Open choke control gradually as engine warms up.
Excessive vibration	Loose parts or damaged parts	Stop snowthrower immediately. Contact an Authorized Service Dealer.
Scraper bar does not clean hard surface	Scraper bar or auger flight worn	See <b>Maintaining the Auger and Scraper Bar</b> .
Snowthrower does not discharge snow	Control cable requires adjustment	See <b>Adjusting the Auger Control Cable</b> .
	Discharge chute clogged with snow	STOP THE ENGINE! Ensure that the auger has stopped rotating. Use a clean-out tool to remove snow from the discharge chute. Never clear a clogged discharge chute with your hands! See <b>Clearing a Clogged Discharge Chute</b> .
Snowthrower does not self-propel	Rubber auger is worn or damaged	See <b>Maintaining the Auger and Scraper Bar</b> .

For all other issues, please see an authorized dealer.

# Specifications

The spark ignition system on this snowthrower complies with Canadian standard ICES-002.

Item	Model 100000	Model 120000	Model 130000	Model 150000
Engine Brand	Briggs & Stratton	Briggs & Stratton	Briggs & Stratton	Briggs & Stratton
Engine Model Series	Snow Series	Snow Series	Snow Series	Snow Series
Engine Type	4-Cycle	4-Cycle	4-Cycle	4-Cycle
Starting System	Recoil Start and Electric Start	Recoil Start and Electric Start	Recoil Start and Electric Start	Recoil Start and Electric Start
Oil Capacity	20 oz (.59 L)	20 oz (.59 L)	20 oz (.59 L)	20 oz (.59 L)
Fuel Tank Capacity	3.0 qts (2,8 L)	3.2 qts (3,0 L)	3.2 qts (3,0 L)	3.2 qts (3,0 L)
Sparkplug Gap	.030 in (.76 mm)	.030 in (.76 mm)	.030 in (.76 mm)	.030 in (.76 mm)
Sparkplug Torque	180 lb-in (20 Nm)	180 lb-in (20 Nm)	180 lb-in (20 Nm)	180 lb-in (20 Nm)
Armature Air Gap	.010 - .014 in (.25 - .36 mm)	.010 - .014 in (.25 - .36 mm)	.010 - .014 in (.25 - .36 mm)	.010 - .014 in (.25 - .36 mm)
Intake Valve Clearance	.004 - .006 in (.10 - .15 mm)	.004 - .006 in (.10 - .15 mm)	.004 - .006 in (.10 - .15 mm)	.004 - .006 in (.10 - .15 mm)
Exhaust Valve Clearance	.006 - .008 in (.15 - .20 mm)	.009 - .011 in (.23 - .28 mm)	.006 - .008 in (.15 - .20 mm)	.009 - .011 in (.23 - .28 mm)

\* Engine power will decrease 3.5% for each 1,000 feet (300 meters) above sea level and 1% for each 10° F (5.6° C) above 77° F (25° C). The engine will operate satisfactorily at an angle up to 15°.

## Power Ratings

The gross power rating for individual gasoline engine models is labeled in accordance with SAE (Society of Automotive Engineers) code J1940 Small Engine Power & Torque Rating Procedure, and is rated in accordance with SAE J1995. Torque values are derived at 2600 RPM for those engines with “rpm” called out on the label and 3060 RPM for all others; horsepower values are derived at 3600 RPM. The gross power curves can be viewed at [www.BRIGGSandSTRATTON.COM](http://www.BRIGGSandSTRATTON.COM). Net power values are taken with exhaust and air cleaner installed whereas gross power values are collected without these attachments. Actual gross engine power will be higher than net engine power and is affected by, among other things, ambient operating conditions and engine-to-engine variability. Given the wide array of products on which engines are placed, the gasoline engine may not develop the rated gross power when used in a given piece of power equipment. This difference is due to a variety of factors including, but not limited to, the variety of engine components (air cleaner, exhaust, charging, cooling, carburetor, fuel pump, etc.), application limitations, ambient operating conditions (temperature, humidity, altitude), and engine-to-engine variability. Due to manufacturing and capacity limitations, Briggs & Stratton may substitute an engine of higher rated power for this engine.

## Índice de contenidos:

Información general.....	17
Seguridad del operador.....	17
Características y controles.....	20
Operación.....	22
Mantenimiento y ajustes.....	28
Bodegaje.....	31
Detección de fallas.....	32
Especificaciones.....	33

## Información general

Para obtener información adicional, consulte la *Guía de contactos del cliente* y las *Instrucciones de instalación* que se incluyen con la unidad.

Las ilustraciones que aparecen en este documento son representativas. Su unidad puede diferir de las imágenes que se muestran. *Izquierda (LEFT)* y *derecha (RIGHT)* se refieren a partir de la posición de funcionamiento.

El empleo de las palabras "Importante" y "Nota" en el texto indica aclaraciones, excepciones o alternativas a los procedimientos proporcionados.

Todas las traducciones de este documento se derivan del archivo fuente original en inglés.



Todos los envases, el aceite usado y las baterías deben reciclarse de acuerdo con las regulaciones gubernamentales aplicables.

## Seguridad del operador

**Guarde estas instrucciones para futura referencia.** Este manual contiene información sobre seguridad para hacer que tome conciencia de los peligros y riesgos asociados con el producto y cómo evitarlos. También contiene importantes instrucciones que deben seguirse durante la configuración inicial, la operación y el mantenimiento del producto.


La máquina quitanieves está diseñada exclusivamente para la limpieza de nieve de senderos y caminos de acceso de superficies rígidas y niveladas, y no está destinada para ningún otro propósito.


Es importante que lea y comprenda estas instrucciones antes de intentar arrancar u operar este equipo.


Procure estar familiarizado con los controles y el uso adecuado de la máquina quitanieves.


Aprenda cómo detener la unidad y desactivar los controles rápidamente.

## Símbolo de alerta de seguridad y palabras de señalización

El símbolo de alerta de seguridad  identifica información de seguridad sobre riesgos que pueden provocar lesiones personales. Se usa una palabra de señalización (**PELIGRO**, **ADVERTENCIA**, o **ATENCIÓN**) junto con el símbolo de alerta para indicar la probabilidad y la gravedad potencial de las lesiones. Además, se puede usar un símbolo de peligro para representar el tipo de riesgo.

 **PELIGRO** indica un riesgo que, si no se evita, **ocasionará** la muerte o lesiones graves.

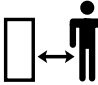
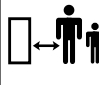
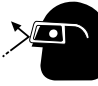
 **ADVERTENCIA** indica un riesgo que, si no se evita, **podría** ocasionar la muerte o lesiones graves.

 **ATENCIÓN** indica un riesgo que, si no se evita, **podría** ocasionar lesiones menores o moderadas.

**AVISO** indica una acción que podría provocar daños al producto.

## Símbolos de peligro de la máquina quitanieves

Símbolo	Significado	Símbolo	Significado
	Información de seguridad sobre peligros que pueden provocar lesiones personales.		Lea y comprenda el Manual del operador antes de operar o reparar la unidad.
	Peligro de amputación: impulsor giratorio.		Quite la llave antes de realizar el servicio. Lea el Manual del operador antes de realizar el servicio.
	Peligro de amputación: impulsor giratorio.		Peligro de amputación: barrena giratoria.
	Peligro de amputación: no toque las piezas móviles.		Peligro de objetos lanzados.
	Peligro de incendio.		Peligro de explosión.
	Peligro de descarga eléctrica.		Peligro de vapores tóxicos.
	Peligro de superficie caliente.		Peligro de retroceso violento.

Símbolo	Significado	Símbolo	Significado
	Mantenga una distancia segura.		Mantenga a los niños alejados.
	Use gafas de seguridad.	----	----

Modelos de EE. UU.: Es una infracción del Código de Recursos Públicos de California, Sección 4442, utilizar u operar el motor en cualquier espacio con árboles, maleza o grama a menos que el sistema de escape esté equipado con un extintor de chispas, como lo define la Sección 4442, mantenido en correcto funcionamiento. Otros estados o jurisdicciones federales pueden tener leyes similares. Póngase en contacto con el distribuidor, el vendedor o el fabricante del equipo original para obtener un extintor de chispas diseñado para el sistema de escape instalado en este motor.

## Mensajes de seguridad



Esta máquina quitanieves es capaz de amputar manos y pies, y arrojar objetos. Lea y siga todas las instrucciones de seguridad incluidas en este manual. Omitir esto podría tener como consecuencia la muerte o lesiones graves.

El contacto manual con la barrena giratoria dentro de la manga de descarga es la causa más común de lesiones asociadas con la máquina quitanieves.



Lea, comprenda y siga todas las instrucciones de la máquina quitanieves y en el Manual del operador antes de operar la unidad. El incumplimiento de las instrucciones de seguridad incluidas en este manual podría resultar en la muerte o lesiones graves.

- Solo permita que operadores responsables, capacitados, familiarizados con las instrucciones y físicamente aptos operen la máquina.



Utilice siempre gafas de seguridad o protectores oculares durante el funcionamiento o mientras realice un ajuste o una reparación para proteger los ojos de objetos extraños que puedan ser lanzados de la máquina.



Modelos de EE. UU.: Ciertos componentes en este producto y sus accesorios correspondientes contienen químicos que, en el estado de California, se consideran generadores de cáncer, defectos de nacimiento u otros daños para el aparato reproductor humano. Lávese las manos después de manipular estos elementos.

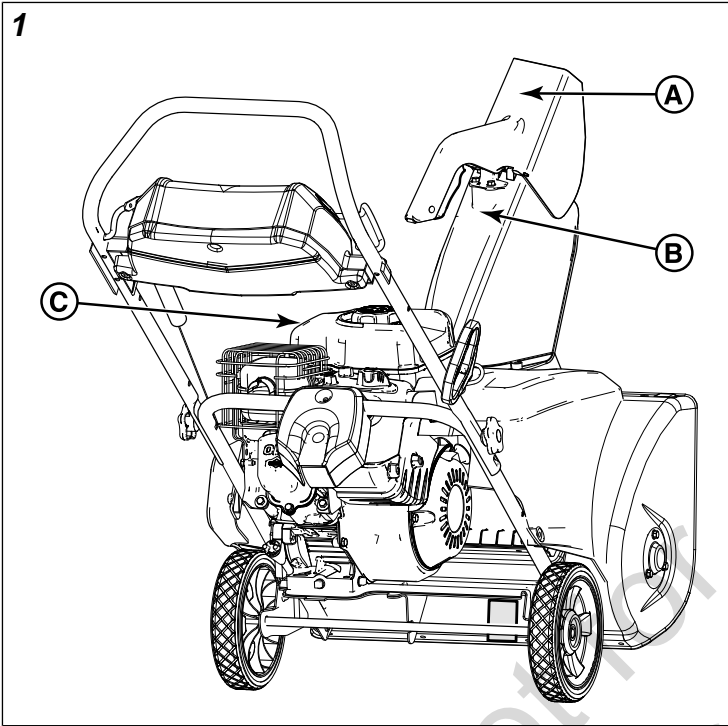


Modelos de EE. UU.: El escape del motor de este producto contiene químicos que, en el estado de California, se consideran generadores de cáncer, defectos de nacimiento u otros daños para el aparato reproductor humano.

# Calcomanías de Seguridad

Para evitar lesiones, lea y comprenda las calcomanías de seguridad en la máquina quitanieves antes de ponerlo en funcionamiento. Haga corresponder las letras de identificación en la Figura 1 con las características y los controles indicados en la tabla que lo acompaña.

Si las calcomanías de seguridad se han desgastado, dañado o están ilegibles, póngase en contacto con un distribuidor autorizado de servicio para pedir repuestos.




**⚠ DANGER**

## Amputation hazard

Contact with moving parts inside chute will cause serious injury.

- Shut off engine before unclogging discharge chute.
- Use clean-out tool, not hands!







## Risque d'amputation

Tout contact avec des pièces en mouvement à l'intérieur de la goulotte provoquera de graves blessures.

- Arrêter le moteur avant de dégager la goulotte d'éjection.
- Utiliser l'outil de dégagement, pas les mains!





1737865

**⚠ DANGER**

Shut off engine and remove key before performing maintenance or repair work.		Arrêter le moteur et retirer la clé avant d'effectuer tout entretien ou toute réparation.
Read the operator's manual for operating and safety instructions.		Lire les consignes de sécurité et d'utilisation dans le manuel d'utilisation.
<b>Thrown Objects Hazard</b> • Never direct discharge chute towards persons or property.		<b>Danger objets projetés</b> • Ne jamais diriger la chute en direction des personnes ou biens matériels.
<b>Amputation Hazard</b> • Contact with auger will cause serious injury. • Keep hands, feet and clothing away. • Keep bystanders away.		<b>Risque d'amputation</b> • Tout contact avec la tarière provoquera de graves blessures. • Tenir vos pieds, vos mains et vêtements à distance. • Tenir les spectateurs à distance.

This spark ignition system complies with the Canadian standard ICES-002. Ce système d'allumage par étincelle de véhicule est conforme à la norme NMB-002 du Canada. 1739968

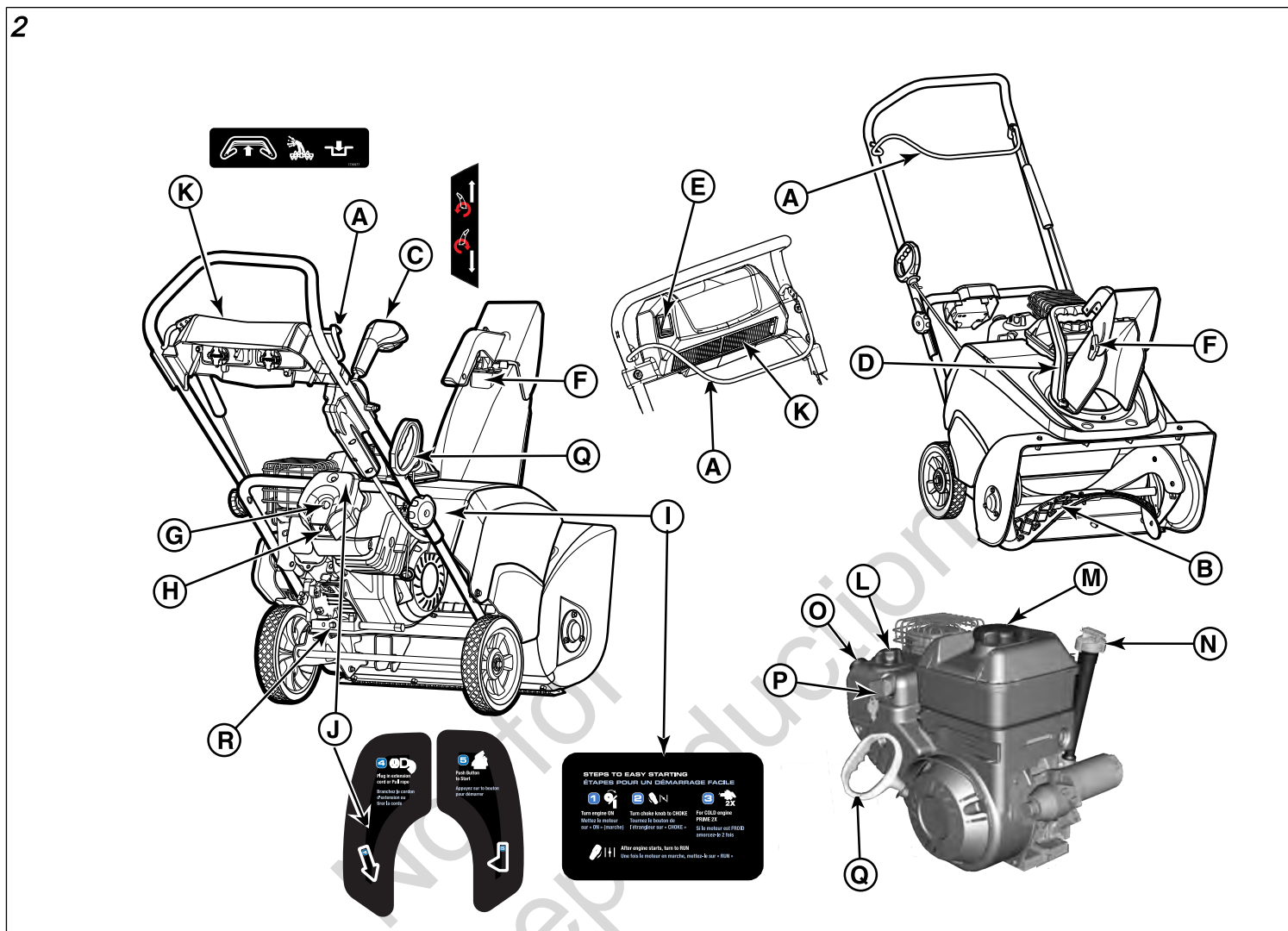
**⚠ WARNING AVERTISSEMENT**

Read and follow Operating Instructions before running or servicing engine.		Lire et suivre les instructions d'utilisation avant de démarrer ou effectuer l'entretien du moteur.
Gasoline is flammable. Allow engine to cool at least 2 minutes before refueling.		L'essence est inflammable. Laisser refroidir le moteur pendant au moins 2 minutes avant de faire le plein.
Engines emit carbon monoxide, DO NOT run in enclosed area.		Les moteurs émettent du monoxyde de carbone. NE PAS faire tourner le moteur dans des espaces clos.
Muffler area temperature may exceed 150°F. Do not touch hot parts.		Autour du silencieux, la température peut dépasser 150°F. Ne pas toucher des pièces chaudes.

279655

# Características y controles

Haga corresponder las letras de identificación en la Figura 2 con las características y los controles indicados en la tabla que lo acompaña.



## Símbolos de control y significados

A		Control de la barrena
B	---	Barrena
C		Control de la manga - Montaje de la palanca (si tiene)
D		Rotación de la manga de descarga - Montaje de la manga (si tiene)
E		Control de la manga - Montaje del interruptor (si tiene)
F		Control del deflector - Disparador o perilla de aleta
G		Botón de arranque
H		Receptáculo de arranque

I	---	Calcomanía con instrucciones de arranque (si tiene)
J	---	Calcomanía con instrucciones de arranque (si tiene)
K		Luces delanteras (si tiene)
L		Estrangulador cerrado, estrangulador abierto
M	---	Tapa y tanque de combustible
N	---	Llenado de aceite y varilla indicadora de nivel
O		Botón del cebador
P		Interruptor de encendido y apagado



<b>Q</b>	---	Mango del cable de arranque
<b>R</b>	---	Tapón para el drenaje de aceite

Not for  
Reproduction

# Operación

## ADVERTENCIA

Esta máquina quitanieves solo es tan segura como el operador. Si se utiliza incorrectamente, o no se mantiene adecuadamente, puede ser peligrosa. Recuerde que usted es responsable de su seguridad y de quienes le rodean.

- Al abandonar la posición de funcionamiento siempre desactive la barrena, apague el motor y quite la llave. Nunca deje desatendida una máquina en ejecución.
- Nunca opere la máquina quitanieves sin protecciones adecuadas, y otros dispositivos de protección y seguridad en su lugar y funcionando.
- Extreme la precaución al cruzar o trabajar en caminos de grava, calles o carreteras. Manténgase alerta por si se presentan peligros ocultos o tráfico.
- Nunca opere la máquina quitanieves sin buena visibilidad o luz. Siempre asegúrese de su posición y sujete firmemente las manillas. Camine; nunca corra.
- Extreme las precauciones para evitar resbalones o caídas, especialmente cuando se opera la máquina quitanieves en retroceso.
- Extreme la precaución al trabajar en pendientes.
- Después de golpear un objeto extraño, detenga el motor, quite el cable de la bujía de encendido, desconecte el cable de los motores eléctricos, inspeccione cuidadosamente la máquina quitanieves para ver si hay daños, y repare los daños antes de arrancar y operar la máquina quitanieves.
- No haga funcionar el equipo sin usar prendas de invierno adecuadas. Evite usar ropa holgada que pueda quedar atrapada en piezas móviles. Use calzado que mejore la posición en superficies resbaladizas.
- Nunca toque un silenciador o un motor calientes. Permita que el silenciador o el cilindro del motor se enfríen antes de tocarlos.

## Área de funcionamiento

1. Familiarícese con la zona en la que se va a operar la máquina quitanieves. Marque todos los límites de senderos y caminos de acceso.
2. Asegúrese de que el área que despejará esté libre de desechos u objetos que pudieran ser recogidos por la barrena y arrojados desde la manga.

## ADVERTENCIA

Esta máquina es capaz de arrojar objetos que podrían lesionar a los transeúntes o causar daños a edificios.

3. Antes de arrancar el motor, mueva la máquina quitanieves hacia el exterior y lejos de ventanas y puertas.

## ADVERTENCIA

Los motores emiten monóxido de carbono, un gas venenoso incoloro e inodoro. Respirar monóxido de carbono puede causar náuseas, desmayos, o incluso la muerte.

- Arranque el motor y hágalo funcionar al aire libre.
  - No haga funcionar el motor en un área cerrada, incluso si las puertas o ventanas están abiertas.
4. Asegúrese de que el área operativa esté alejada de otras personas, especialmente de los niños.

## ADVERTENCIA

Esta máquina quitanieves es capaz de amputar manos y pies, y arrojar objetos. Lea y siga todas las instrucciones de seguridad incluidas en este manual. Omitir esto podría tener como consecuencia la muerte o lesiones graves.

- Mantenga a los niños alejados del área durante la operación.
- A menudo los niños se sienten atraídos por la máquina. Sea consciente de todas las personas presentes.
- Esté alerta y apague la máquina si los transeúntes entran en el área.
- Tenga especial cuidado al aproximarse a ángulos, arbustos, árboles u otros objetos que puedan oscurecer la visión.

## Arranque del motor

### Comprobación del aceite

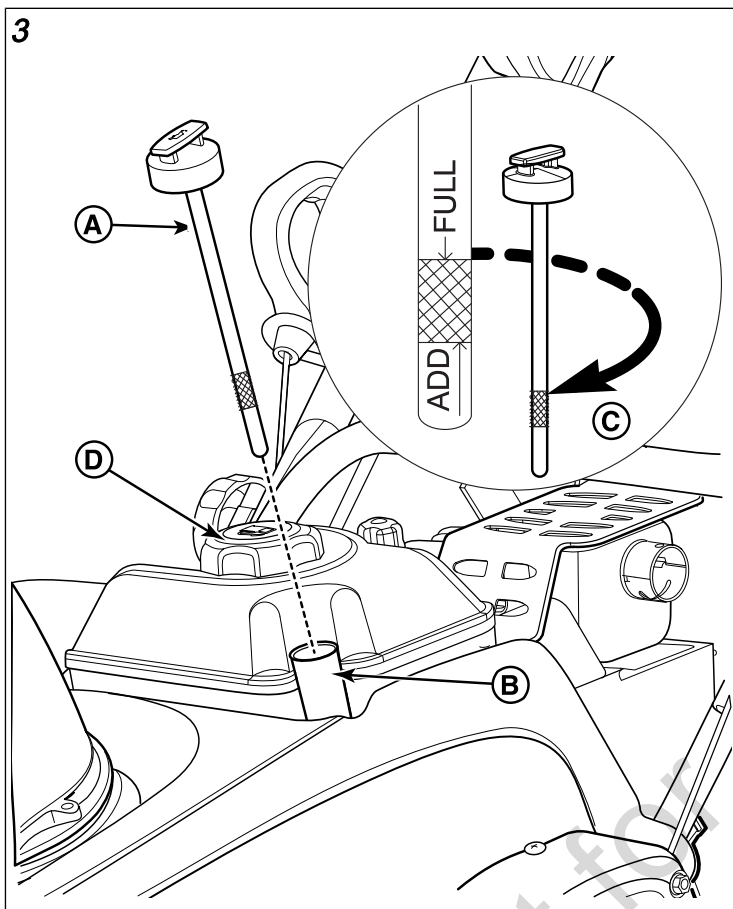
#### AVISO

El motor fue enviado desde la fábrica sin aceite. Antes de arrancar el motor, asegúrese de agregar aceite según las instrucciones de este manual. Si arranca el motor sin aceite, este sufrirá daños irreparables que la garantía no cubrirá.

Use aceite sintético **5W-30** certificado con la Garantía Briggs & Stratton para obtener un mejor rendimiento. Otros aceites detergentes de alta calidad son aceptables si están clasificados para servicio SG, SH, SJ o superior. No use aditivos.

1. Coloque la unidad en una superficie nivelada.
2. Limpie todos los desechos y la humedad del área de llenado de aceite.
3. Retire la varilla de medición de aceite (**A**, Figura 3) y séquela con un paño limpio.
4. Inserte y apriete la varilla indicadora de nivel y, a continuación, vuelva a retirarla para comprobar el nivel de aceite. Debe estar en la parte superior del indicador de lleno (**C**).
5. Para agregar aceite, vierta lentamente en el tubo de llenado de aceite del motor (**B**). No llene en exceso.

6. Espere un minuto antes de comprobar el nivel de aceite.
7. Cuando el nivel de aceite está en la parte superior del indicador de lleno (C), instale y apriete la varilla.



### Cómo agregar combustible

El combustible debe cumplir con los siguientes requerimientos:

- Gasolina limpia, fresca y sin plomo.
- Un mínimo de 87 octanos/87 AKI (90 RON).
- Un máximo de 10 % de etanol es aceptable.

### AVISO

No utilice gasolinas no aprobadas, como la E15 y la E85. No mezcle la gasolina con aceite ni modifique el motor para usarlo con combustibles alternativos. El uso de combustibles no aprobados producirá daños al motor que no cubrirá la garantía.

A altitudes superiores a los 5000 pies (1524 metros), un mínimo de 85 octanos/85 AKI (89 RON) de gasolina es aceptable. Para mantener el cumplimiento con las normas de emisiones, se requiere el ajuste de altitud elevada. la operación sin este ajuste provocará una disminución del rendimiento, mayor consumo de combustible y el aumento de las emisiones. Consulte un distribuidor autorizado de servicio para obtener información sobre ajuste de altitud elevada. Las altitudes de funcionamiento por debajo de los 2500 pies (762 metros) con el ajuste de altitud elevada no son recomendables.



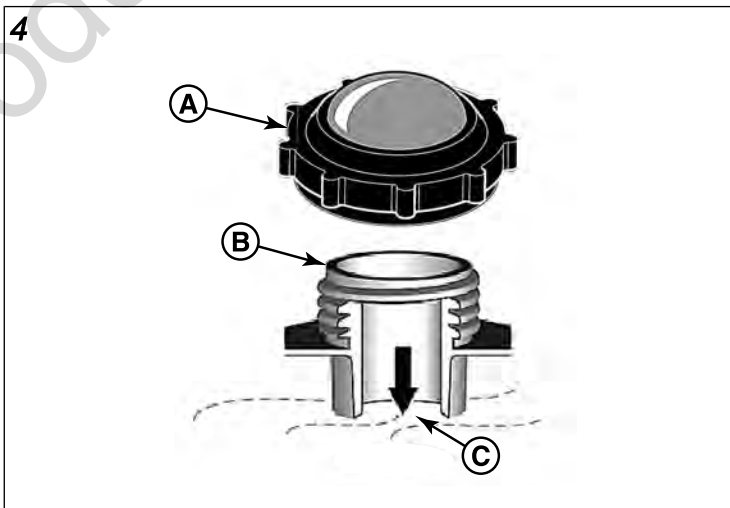
### ADVERTENCIA

El combustible y sus vapores son extremadamente inflamables y explosivos. Siempre manipule el combustible con extremo cuidado.

El incumplimiento de estas instrucciones de seguridad puede provocar un incendio o una explosión, que podría resultar en quemaduras graves o la muerte.

- No agregue combustible mientras el motor está en marcha. Deje que el motor se enfríe por lo menos 2 minutos antes de agregar combustible.
- Llene el depósito de combustible al aire libre únicamente, utilizando un recipiente de combustible aprobado con la unidad directamente sobre el terreno.
- Mantenga el combustible alejado de chispas, llamas abiertas, luces piloto y otras fuentes de calor o de encendido.
- Permita que cualquier derrame de combustible se evapore antes de arrancar el motor.
- Si se derrama combustible en la ropa, cambie de ropa inmediatamente.

1. Retire lentamente la tapa del combustible (A, Figura 4) y llene el tanque (B) con combustible. No llene más arriba de la parte inferior del cuello del tanque de combustible (C).
2. Vuelva a colocar la tapa del combustible. Permita que cualquier derrame de combustible se evapore antes de arrancar el motor.



### Arranque del motor



## ADVERTENCIA

El combustible y sus vapores son extremadamente inflamables y explosivos. Siempre manipule el combustible con extremo cuidado.

El incumplimiento de estas instrucciones de seguridad puede provocar un incendio o una explosión, que podría resultar en quemaduras graves o la muerte.

- Asegúrese de que la bujía, el silenciador, la tapa del combustible y el purificador de aire (si tiene) estén colocados de modo seguro en su lugar.
- No haga girar el motor si retiró la bujía.
- No use líquidos de arranque presurizados ya que los vapores son inflamables.
- No cebe en exceso el motor. Siga las instrucciones de arranque del motor en este manual.
- Si el motor se inunda, ajuste el estrangulador (si tiene) en la posición de apertura/funcionamiento (OPEN/RUN), coloque el acelerador (si tiene) en la posición de velocidad rápida (FAST) y haga girar el motor hasta que arranque.

1. Asegúrese de que el control de la barrena esté desactivado.
2. Inserte la llave de encendido (A, Figura 5) y gírela hacia la posición de encendido (ON) o empuje la llave de presionar y jalar.
3. Mueva el control del estrangulador (B) a la posición de cierre (CLOSED).

*Nota:* Generalmente no es necesario el estrangulador para arrancar un motor caliente.

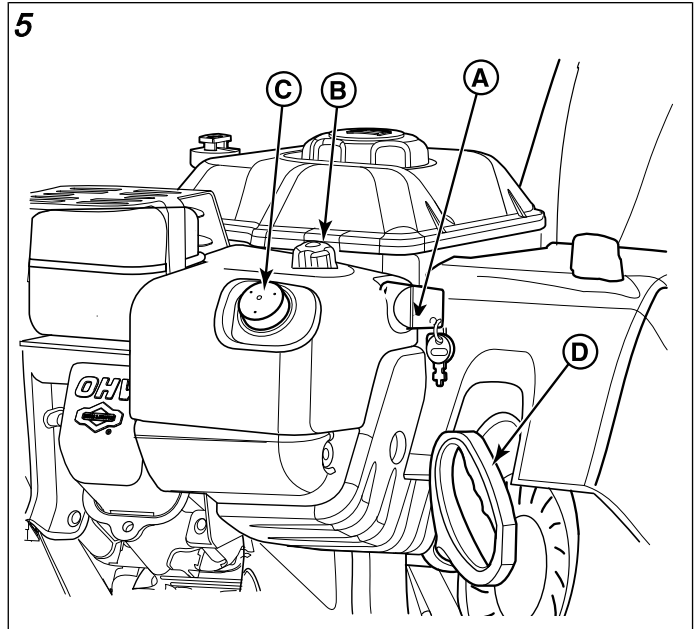
4. Oprima el cebador (C) dos veces.  
*Nota:* Generalmente no es necesario el cebador para arrancar un motor caliente.

5. **Arranque por rebobinado:** Sostenga firmemente el mango del cable de arranque (D). Tire lentamente de la mango hasta sentir una resistencia y, a continuación, tire de él rápidamente.



## ADVERTENCIA

La retracción rápida del cable de arranque (retroceso violento) le halará la mano y el brazo hacia el motor antes de que pueda soltarla. Podrían ocasionarse roturas de huesos, fracturas, moretones o torceduras.



6. **Arranque eléctrico:** Conecte el cable de extensión (E, Figura 6) al reóstato de arranque (F) en el motor y, luego, al tomacorriente de pared. Presione el botón pulsador del reóstato de arranque (G). Después de que el motor arranque, desconecte el cable de extensión del tomacorriente de pared y, luego, del reóstato de arranque.



## ADVERTENCIA

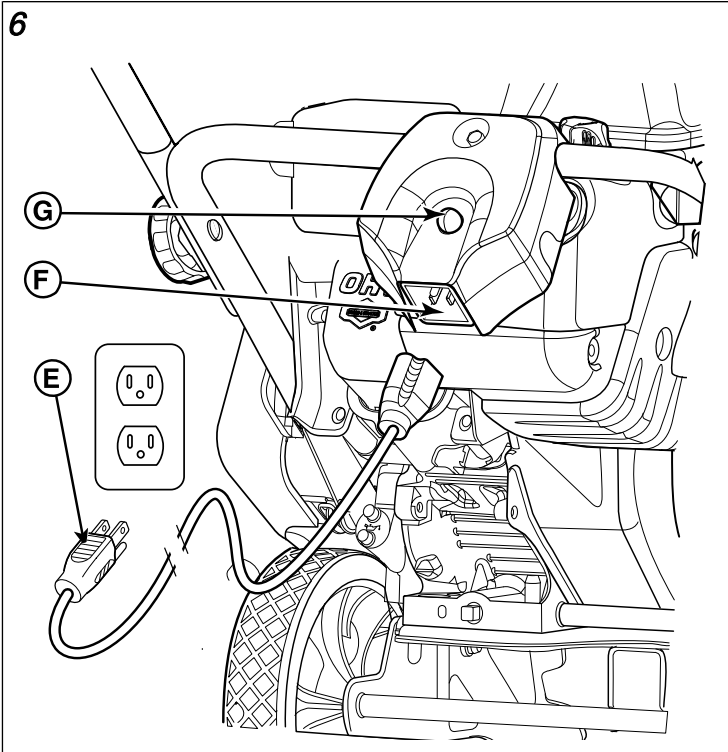
Los cables de energía sin conexión a tierra o dañados podrían provocar una descarga eléctrica. Una descarga eléctrica podría causar quemaduras severas o la muerte.

- Utilice únicamente un cable de alimentación de tres conductores correctamente conectado a la fuente de alimentación.
- Si el cable de extensión está dañado, se deberá solicitar un cable de reemplazo al fabricante, al agente de servicio o a una persona calificada.

**AVISO** Para prolongar la vida útil del arrancador, use ciclos cortos de arranque (cinco segundos como máximo). Espere un minuto entre los intentos de arranque.

Si el motor no arranca después de varios intentos, póngase en contacto con su distribuidor autorizado de servicio o visite nuestro sitio web.

7. Deje que el motor se caliente durante varios minutos. Desplazar progresivamente el control del estrangulador a la posición de apertura.



## Detención del motor

1. Gire la llave de encendido (A, Figura 5) hacia la posición de apagado (OFF) y quítela o quite la llave de presionar y jalar, si tiene.
2. Mantenga la llave en un lugar seguro fuera del alcance de los niños. No se puede arrancar el motor sin la llave.

## Ajuste de la manga de descarga y el deflector



El hielo, la grava u otros objetos inadvertidos pueden ser recogidos por la barrena y arrojados desde la manga con fuerza.

Los objetos arrojados desde la manga podrían causar la muerte, lesiones graves o daños a la propiedad.

- Esté siempre consciente de la dirección hacia la se arroja la nieve.

**AVISO** No utilice el deflector de la manga ni la manivela de rotación de la manga para levantar la unidad. Estos elementos se diseñaron para hacer el ajuste necesario solamente.

### Rotación de la manga - Montaje de la palanca (si tiene)

1. Apriete y mantenga pulsado el botón de la palanca de control de la manga (C, Figura 7).
2. Empuje la palanca hacia delante o hacia atrás para girar la manga de descarga.

3. Suelte el botón para bloquear la manga de descarga en la posición deseada.

**AVISO** No use fuerza excesiva al intentar accionar el control.

### Rotación de la manga de descarga - Montaje de la manga (si tiene)

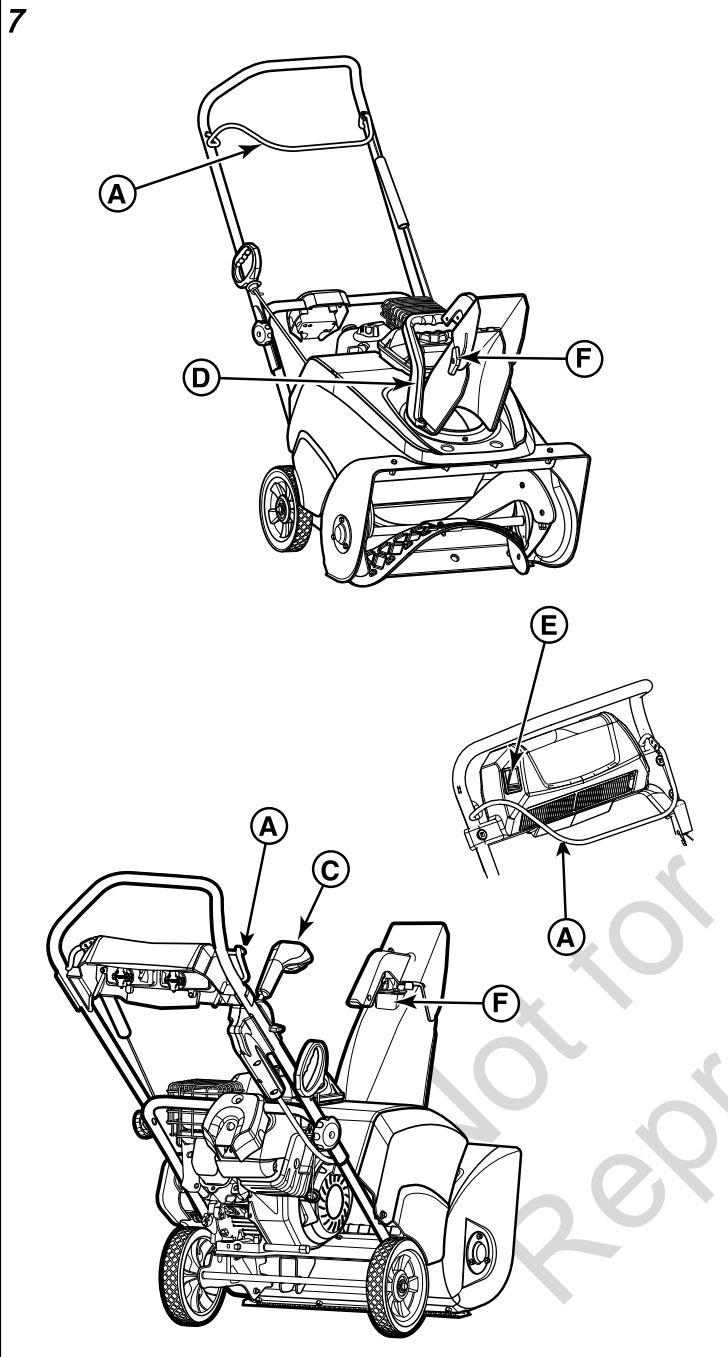
1. Sujete la palanca de control de la manga en la base de la manga (D, Figura 7).
2. Gire la palanca hacia la izquierda o hacia la derecha para girar la manga de descarga. Una placa de tensión mantiene la manga en la posición deseada.

### Rotación de la manga - Montaje del interruptor (si tiene)

1. Pulse el interruptor (E, Figura 7) para girar la manga.
2. Suelte el interruptor para bloquear la manga en la posición deseada.

### Ajuste del deflector

1. Apriete y mantenga pulsado el botón de la palanca de control del deflector (F, Figura 7) o afloje la perilla de aleta (F).
2. Mueva el deflector hacia arriba o hacia abajo para ajustar la altura y la distancia de descarga de nieve.
3. Suelte el botón para bloquear el deflector en la posición deseada, o apriete la perilla de aleta.



2. Suelte el control de la barrena para desactivar la barrena. La barrena debe detenerse al cabo de 5 segundos después de soltar el control de la barrena. Si no lo hace;
  - Ajuste el cable de control. Consulte la sección **Ajuste del cable de control de la barrena**.
  - Si la barrena no se detiene al cabo de 5 segundos, consulte a un distribuidor autorizado.

**AVISO** No sobrecargue la capacidad de la máquina al intentar limpiar la nieve a un ritmo excesivamente rápido.

## Conexión de la barrena



La manga de descarga contiene una barrena giratoria para arrojar nieve. Los dedos de las manos o de los pies pueden quedar rápidamente atrapados en la barrena, y tener como resultado una amputación traumática o laceración severa. El incumplimiento de estas instrucciones de seguridad resultará en una amputación traumática o laceración severa.

1. Empuje el control de la barrena (A, Figura 7) contra la manilla para activar la barrena.



## Limpieza de una manga de descarga obstruida



La manga de descarga contiene una barrena giratoria para arrojar nieve. Los dedos de las manos pueden quedar rápidamente atrapados en la barrena, y tener como resultado una amputación traumática o laceración severa. Nunca limpie una manga de descarga obstruida con sus manos. Siempre utilice una herramienta de limpieza.

Para limpiar en forma segura una manga de descarga obstruida, siga estas instrucciones:

1. Pare el motor y retire la llave.
2. Asegúrese de que la barrena haya dejado de girar.
3. Utilice una herramienta de limpieza para quitar la nieve de la manga de descarga. ¡Nunca limpie una manga de descarga obstruida con sus manos!

## Utilización del faro delantero

Algunos modelos están equipados con un faro para ayudar a iluminar la zona delante de la máquina quitanieves. El faro está encendido cuando el motor está en marcha. No hay ningún interruptor.

Not for  
Reproduction

# Mantenimiento y ajustes

Le recomendamos ponerse en contacto con un distribuidor autorizado de servicio para todos los trabajos de mantenimiento, ajuste y reparación de la unidad. El propietario puede realizar algunas de las tareas rutinarias de mantenimiento. Consulte el plan de mantenimiento y procedimientos siguientes.

## PRECAUCIÓN

Todos los componentes usados para armar este producto deben permanecer en su lugar para un funcionamiento adecuado. Las piezas de reemplazo deben ser del mismo diseño y deben instalarse en la misma posición que las piezas originales. Otras piezas pueden no funcionar igual de bien, pueden dañar la unidad y pueden causar lesiones.

## ADVERTENCIA

Esta máquina quitanieves debe mantenerse adecuadamente para garantizar el funcionamiento seguro y el rendimiento. El incumplimiento de las instrucciones de seguridad incluidas en este manual podría resultar en la muerte o lesiones graves.

- Antes de realizar cualquier trabajo de mantenimiento o reparación en la máquina quitanieves, APAGUE el motor y quite la llave de encendido o la llave de presionar y jalar.

## Plan de mantenimiento

<b>Las primeras 5 horas</b>
Cambie el aceite
<b>Antes de cada uso</b>
<ul style="list-style-type: none"><li>• Compruebe el nivel de aceite del motor</li><li>• Compruebe el tiempo de detención de la barrena</li></ul>
<b>Después de cada uso</b>
Quite la acumulación de nieve y lodo para evitar la congelación de los controles, las ruedas, la manga de descarga y la barrena.
<b>Cada 25 horas o anualmente</b>
<ul style="list-style-type: none"><li>• Verifique el desgaste de la barra de raspado y la barrena de caucho.</li><li>• Cambie el aceite del motor</li><li>• Revise la máquina quitanieves para ver si hay accesorios sueltos.</li><li>• Compruebe el ajuste del cable de control de la barrena.</li><li>• Compruebe el estado del silenciador y el protector del silenciador.</li><li>• Reemplace la bujía (servicio del distribuidor).</li><li>• Verifique el espacio libre de la válvula* (servicio del distribuidor).</li></ul>

\* No es necesario a menos que se observen problemas con el rendimiento del motor.

## Control de emisiones

Cualquier establecimiento o individuo especializado en la reparación de motores que no sean de uso en carretera puede encargarse del mantenimiento, la sustitución y la reparación de los dispositivos y sistemas de control de emisiones. Sin embargo, para recibir el servicio de control de emisiones "sin cargo", debe realizarlo un distribuidor autorizado por la fábrica.

## Cambio de aceite del motor

El aceite usado debe eliminarse en forma adecuada. No lo deseche con los residuos domésticos. Consulte con sus autoridades locales, su centro de servicio o su distribuidor para conocer las instalaciones para su disposición o reciclaje seguro.

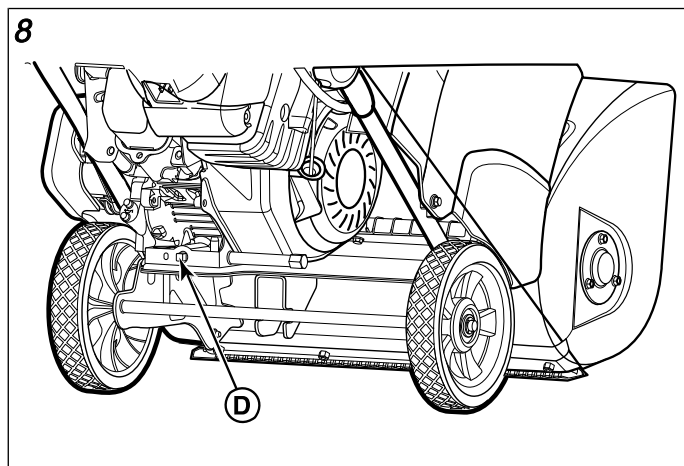
Use aceite sintético 5W-30 certificado con la Garantía Briggs & Stratton para obtener un mejor rendimiento. Otros aceites detergentes de alta calidad son aceptables si están clasificados para servicio SG, SH, SJ o superior. No use aditivos.

1. Con el motor detenido pero aún caliente, gire la llave de encendido a la posición de apagado (OFF) y quítela o tire de la llave de presionar y jalar (si tiene).

## ADVERTENCIA

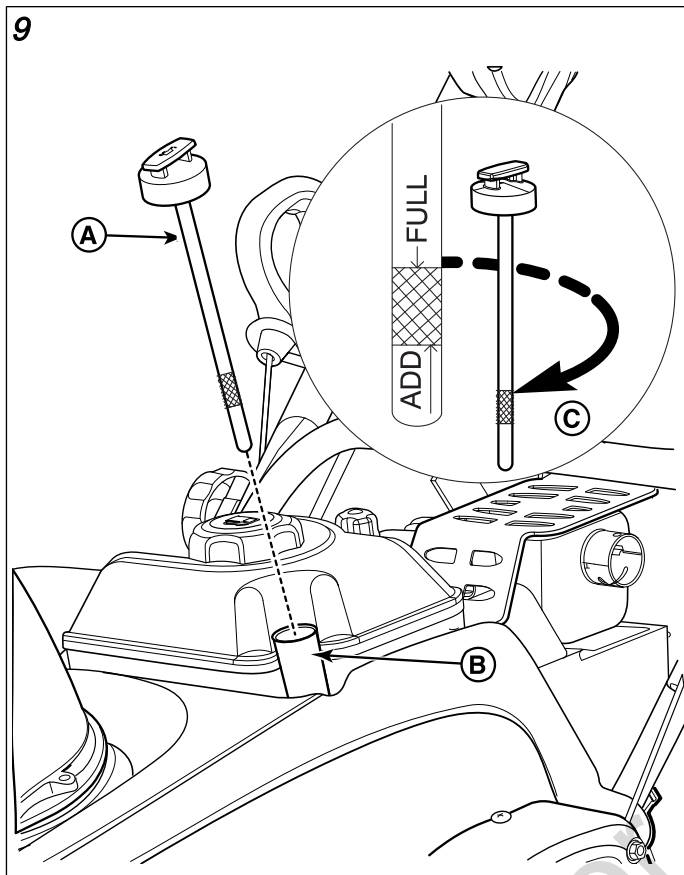
El combustible y sus vapores son extremadamente inflamables, por lo que pueden causar quemaduras, un incendio y provocar la muerte o lesiones graves.

- Al realizar trabajos de mantenimiento que requieran inclinar la unidad, el tanque de combustible debe estar vacío o podría haber una fuga de combustible y generarse un incendio o una explosión.
2. Retire el tapón para el drenaje de aceite (**D**, Figura 8) e incline la máquina quitanieves ligeramente para vaciar el aceite en un recipiente adecuado.
  3. Después de haber drenado el aceite, instale y apriete el tapón para el drenaje de aceite (**D**).



4. Coloque la unidad en una superficie nivelada.
5. Limpie todos los desechos y la humedad del área de llenado de aceite.

6. Retire la varilla indicadora de nivel (A, Figura 9) y séquela con un paño limpio. Resérvela.



7. Para agregar aceite, vierta lentamente en el tubo de llenado de aceite del motor (B). Consulte la sección **Especificaciones** para obtener la capacidad de aceite. No llene en exceso.
8. Espere un minuto antes de comprobar el nivel de aceite.
9. Inserte y apriete la varilla indicadora de nivel y, a continuación, vuelva a retirarla para comprobar el nivel de aceite. Debe estar en la parte superior del indicador de lleno (C).
10. Cuando el nivel de aceite está en la parte superior del indicador de lleno, instale y apriete la varilla.

## Ajuste del cable de control de la barrena



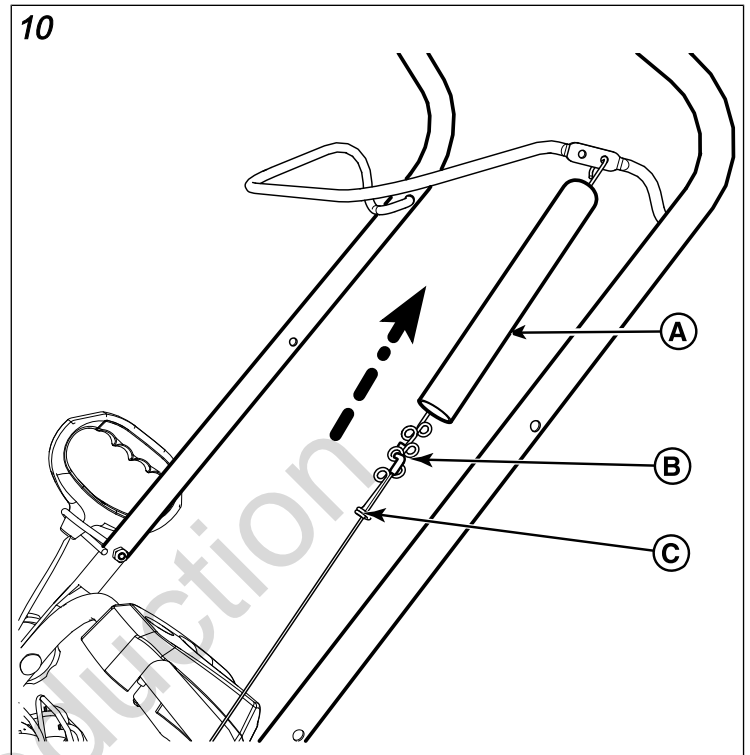
La manga de descarga contiene una barrena giratoria para arrojar nieve. Los dedos de las manos o de los pies pueden quedar rápidamente atrapados en la barrena, y tener como resultado una amputación traumática o laceración severa.

- El ajuste excesivo del cable de la barrena puede hacer que la barrena gire, aun cuando la palanca de control de la barrena no se presione hacia abajo.

La barrena debería girar únicamente cuando el control de la barrena está activado y debe detenerse al cabo de 5 segundos cuando se libera el control de la barrena. Si la barrena no gira

ni se detiene como se describe, ajuste el cable de control o póngase en contacto con su distribuidor autorizado de servicio para ajustar el cable de control.

1. APAGUE el motor y quite la llave de encendido o la llave de presionar y jalar.
2. Levante la cubierta del cable (A, Figura 10) para exponer los bucles de ajuste (B) y la conexión terminal del cable (C).



3. Retire la conexión terminal del bucle de ajuste y vuelva a instalar de la siguiente manera:
  - Si la barrena gira mientras el control de la barrena no está activado, instale la conexión terminal en el siguiente bucle más bajo (disminuya la tensión de la correa) para alargar el cable de control.
  - Si la barrena no gira cuando el control de la barrena está activado, instale la conexión terminal en el siguiente bucle más alto (aumente la tensión de la correa) para acortar el cable de control.

*Nota:* Debe quedar algo de holgura en el cable de control cuando la barrena no está activada.

4. Baje la cubierta del cable a su lugar.
5. Después de realizar el ajuste, realice la siguiente prueba:



Verificar el funcionamiento del control de la barrena mediante la siguiente prueba. Si la unidad no funciona como se ha descrito, NO la utilice. Póngase en contacto con un distribuidor autorizado de servicio para que se inspeccione, ajuste y repare la unidad.

## Pruebas del control de la barrena

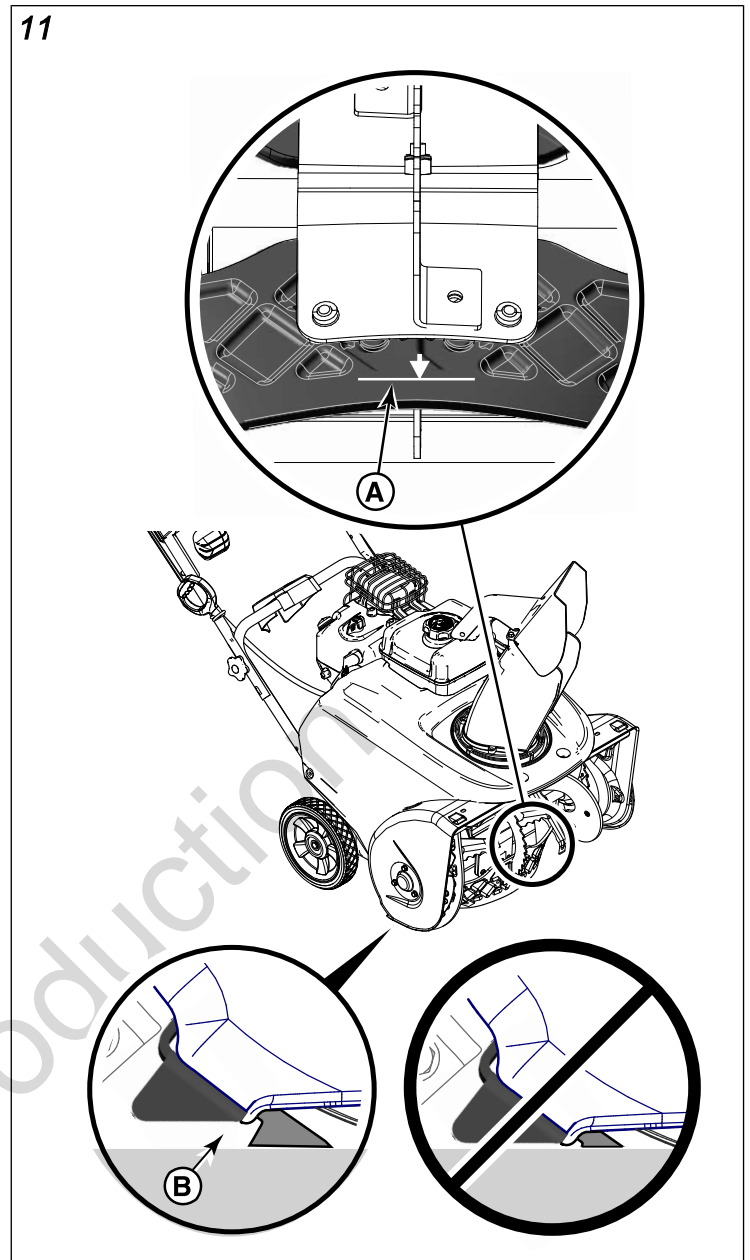
Con el motor en funcionamiento:

- Pulse y mantenga pulsada la palanca de control de la barrena. La barrena debería girar.
- Suelte la palanca de control de la barrena. **La barrena debe detenerse al cabo de 5 segundos.**

## Mantenimiento de la barrena y la barra de raspado

1. APAGUE el motor y quite la llave de encendido o la llave de presionar y jalar.
  2. Verifique el límite de desgaste de la barrena de caucho (A, Figura 11) y la separación entre el soporte de la barra de raspado y la puesta a tierra (B).
- Si la barrena de caucho ha alcanzado el límite de desgaste, es necesario reemplazar las dos paletas de caucho. Póngase en contacto con un distribuidor autorizado.
  - Si el soporte de la barra de raspado hace contacto con el suelo, es necesario sustituir la barra de raspado. Póngase en contacto con un distribuidor autorizado.

11



# Bodegaje

Al final de la temporada, o cuando la unidad se almacene durante 30 días o más, siga la siguiente lista de comprobación de almacenamiento.



La gasolina es altamente inflamable y sus vapores son explosivos. Los vapores pueden desplazarse hacia una fuente de ignición distante y esto podría ocasionar una explosión o un incendio.

- Si hay combustible en el tanque, no guarde la unidad en interiores o en un área mal ventilada donde los vapores podrían entrar en contacto con chispas, llamas, luces piloto, calor y otras fuentes de ignición.

## Motor:

El combustible puede echarse a perder cuando se almacena más de 30 días. El combustible rancio puede producir depósitos de ácido y goma que se forman en el sistema de combustible y el carburador. Para mantener el combustible fresco, agregue

### **Estabilizador y tratamiento de combustible con fórmula avanzada de Briggs & Stratton.**

- No es necesario drenar el combustible del motor si se agrega un estabilizador según las instrucciones. Haga funcionar el motor durante 2 minutos para hacer circular el estabilizador en el sistema de combustible. Si no se agrega el estabilizador, debe drenar el combustible del motor en un recipiente aprobado. Luego, haga funcionar el motor hasta que se detenga por falta de combustible.
- Cambie el aceite mientras el motor se encuentra todavía caliente. Consulte la sección **Cambio de aceite del motor**.

## Máquina quitanieves:

- Asegúrese de que todas las tuercas, pernos y tornillos estén bien ajustados.
- Inspeccione todas las piezas móviles externas en busca de daños y desgaste. Reemplace las piezas según sea necesario.
- En el caso de superficies metálicas expuestas o sin pintar, aplique un producto antioxidante.
- Almacene la unidad bajo techo y cúbrala.
- Si la unidad debe guardarse a la intemperie, cúbrala con una lona pesada.

## Devolución de la unidad para servicio:

- Haga que un distribuidor autorizado de servicio realice tareas de mantenimiento en forma anual. Consulte la sección **Plan de mantenimiento**.
- Compruebe el nivel de aceite del motor y añada aceite si es necesario.
- Revise la unidad para ver si hay desechos alrededor del silenciador y las áreas del cilindro.
- Llene el tanque de combustible con combustible limpio y fresco.

- Asegúrese de que todas las protecciones y cubiertas estén en su lugar.
- Pruebe el control de la barrena.

# Detección de fallas

Problema	Causa	Solución
La barrena no se detiene cuando se libera el control de la barrena.	Es necesario ajustar el cable de control.	Consulte la sección <b>Ajuste del cable de control de la barrena</b> .
La barrena no gira cuando el control de la barrena está activado.	Es necesario ajustar el cable de control.	Consulte la sección <b>Ajuste del cable de control de la barrena</b> .
El motor no arranca La rotación de la manga o el ajuste del deflector no funcionan.	La manga o el deflector están congelados.	Limpie la nieve o el hielo de la manga de descarga y el deflector; coloque la máquina quitanieves en un área calefaccionada hasta que la nieve o el hielo se derritan.
	La llave está en la posición de apagado	Gire la llave hacia la posición de encendido (ON).
	El cebador no está presionado	Pulse dos veces el botón del cebador antes de tirar de la cuerda de arranque.
	No hay combustible	Llene el tanque de combustible con combustible fresco.
	Estrangulador abierto - Motor frío	Gire el estrangulador a la posición de cierre antes de tirar de la cuerda de arranque.
	El motor está inundado	Gire el estrangulador a la posición de apertura; tire de la cuerda de arranque varias veces hasta que el motor arranque.
	Hay agua en el combustible o el combustible es viejo	Llene el tanque de combustible con combustible fresco.
	El cable no está conectado o el disyuntor está disparado (modelos de arranque eléctrico)	Enchufe el cable o reemplace el cable defectuoso; restablezca el disyuntor.
Es difícil arrancar el motor o funciona mal	El aceite es incorrecto.	Cambie a un aceite de viscosidad más ligera (por ejemplo, 5W-30).
	El control del estrangulador se ajustó incorrectamente.	Abra del control del estrangulador gradualmente a medida que se calienta el motor.
La vibración es excesiva	Hay piezas flojas o piezas dañadas	Detenga la máquina quitanieves de inmediato. Póngase en contacto con un distribuidor autorizado de servicio.
La barra de raspado no limpia la superficie dura	La barra de raspado o la paleta de la barrena están desgastadas	Consulte la sección <b>Mantenimiento de la barrena y la barra de raspado</b> .
La máquina quitanieves no descarga nieve	Es necesario ajustar el cable de control.	Consulte la sección <b>Ajuste del cable de control de la barrena</b> .
	La manga de descarga está obstruida con nieve	¡DETENGA EL MOTOR! Asegúrese de que la barrena haya dejado de girar. Utilice una herramienta de limpieza para quitar la nieve de la manga de descarga. ¡Nunca limpie una manga de descarga obstruida con sus manos! Consulte la sección <b>Limpieza de una manga de descarga obstruida</b> .
La máquina quitanieves no se autopropulsa	La barrena de caucho está desgastada o dañada	Consulte la sección <b>Mantenimiento de la barrena y la barra de raspado</b> .

Para todos los demás problemas, consulte con un distribuidor autorizado.



# Especificaciones

El sistema de encendido por chispa en esta barredora de nieve cumple con la norma canadiense ICES-002.

Ítem	Modelo: 100000	Modelo: 120000	Modelo: 130000	Modelo: 150000
Marca del motor	Briggs & Stratton	Briggs & Stratton	Briggs & Stratton	Briggs & Stratton
Serie del modelo de motor	Snow Series	Snow Series	Snow Series	Snow Series
Tipo de motor	4 ciclos	4 ciclos	4 ciclos	4 ciclos
Sistema de arranque	Arranque de retroceso y arranque eléctrico	Arranque de retroceso y arranque eléctrico	Arranque de retroceso y arranque eléctrico	Arranque de retroceso y arranque eléctrico
Capacidad de aceite	20 oz (.59 L)	20 oz (.59 L)	20 oz (.59 L)	20 oz (.59 L)
Capacidad del tanque de combustible	3.0 qt (2,8 L)	3.2 qt (3,0 L)	3.2 qt (3,0 L)	3.2 qt (3,0 L)
Separación entre bujías	.030 in (.76 mm)	.030 in (.76 mm)	.030 in (.76 mm)	.030 in (.76 mm)
Torque de bujía	180 lb-in (20 Nm)	180 lb-in (20 Nm)	180 lb-in (20 Nm)	180 lb-in (20 Nm)
Entrehierro inducido	.010 - .014 in (.25 - .36 mm)	.010 - .014 in (.25 - .36 mm)	.010 - .014 in (.25 - .36 mm)	.010 - .014 in (.25 - .36 mm)
Tolerancia de la válvula de admisión	.004 - .006 in (.10 - .15 mm)	.004 - .006 in (.10 - .15 mm)	.004 - .006 in (.10 - .15 mm)	.004 - .006 in (.10 - .15 mm)
Espacio libre de la válvula de escape	.006 - .008 in (.15 - .20 mm)	.009 - .011 in (.23 - .28 mm)	.006 - .008 in (.15 - .20 mm)	.009 - .011 in (.23 - .28 mm)

\* La potencia del motor se reducirá un 3,5 % por cada 300 metros (1000 pies) de altitud sobre el nivel del mar, y un 1 % por cada 5,6 °C (10 °F) por encima de 25 °C (77 °F). El funcionamiento del motor será satisfactorio hasta un ángulo de inclinación de 15°.

## Clasificación de potencia

La clasificación de potencia bruta para los modelos con motor de gasolina individual se designa de acuerdo con el código J1940 de la SAE (Sociedad de Ingenieros Automotrices) "Procedimiento de Clasificación de Potencia y Torque del Motor Pequeño", y la clasificación se obtiene de acuerdo con el código J1995 de la SAE. Los valores de torque se obtienen a 2600 RPM para los motores con "rpm" indicado en la etiqueta y 3060 RPM para todos los demás; los valores de potencia se obtienen a 3600 RPM. Las curvas de potencia bruta se pueden ver en [www.BRIGGSandSTRATTON.COM](http://www.BRIGGSandSTRATTON.COM). Se toman los valores de potencia neta con el tubo de escape y el purificador de aire instalados, mientras que los valores de potencia bruta se recogen sin estos accesorios. La potencia bruta real del motor será superior a la potencia neta del motor y está afectada, entre otras cosas, por las condiciones ambientales de funcionamiento y la variabilidad de motor a motor. Dada la amplia gama de productos sobre los cuales se colocan los motores, es posible que el motor de gasolina no desarrolle la potencia bruta nominal cuando se utiliza en un determinado equipamiento eléctrico. Esta diferencia se debe a una variedad de factores que incluyen, pero no se limitan a, la variedad de los componentes del motor (filtro de aire, escape, carga, refrigeración, carburador, bomba de combustible, etc.), limitaciones de la aplicación, condiciones ambientales de funcionamiento (temperatura, humedad, altitud) y variabilidad de motor a motor. Debido a las limitaciones de capacidad y fabricación, Briggs & Stratton puede sustituir un motor de mayor potencia nominal por este motor.

## Table des matières:

Information générale.....	34
Sécurité de l'utilisateur.....	34
Caractéristiques et commandes.....	37
Fonctionnement.....	39
Entretien et réglages.....	45
Entreposage.....	48
Dépannage.....	49
Fiche technique.....	50

## Information générale

Pour un complément d'information, voir le *Guide des contacts à l'intention du client* et les *Instructions de configuration* qui accompagnent l'unité.

Les illustrations de ce document sont à titre représentatif seulement. Votre unité pourrait être différente des images montrées. Les directions *GAUCHE* et *DROITE* sont indiquées depuis la position d'utilisation.

L'utilisation des mentions Important et Remarque dans le texte indique des clarifications, des exceptions ou des options de rechange aux procédures fournies.

Toutes les traductions de ce document sont réalisées à partir du texte source anglais original.



Tous les emballages, huiles usées, et piles/accumulateurs devraient être recyclés conformément aux règlements gouvernementaux applicables.

## Sécurité de l'utilisateur

### Conserver les présentes instructions pour utilisation future.

Ce manuel contient de l'information de sécurité pour vous sensibiliser aux risques associés à ce produit et vous permettre de les éviter. Il contient également des instructions importantes qui doivent être suivies lors de la configuration initiale, de l'utilisation et de l'entretien de ce produit.


Cette souffleuse est uniquement conçue pour déneiger des entrées et trottoirs à surface dure et de niveau et n'est destinée à aucune autre utilisation.


Il est important de lire et comprendre ces instructions avant de faire démarrer ou d'utiliser cet équipement.


Il faut bien connaître les commandes et l'utilisation appropriée de cette souffleuse.


Savoir comment arrêter l'unité et désactiver les commandes rapidement.

## Symbole d'alerte de sécurité et mots de signalisation

Le symbole d'alerte de sécurité  identifie l'information de sécurité relative aux dangers pouvant causer des blessures. Un mot de signalisation (**DANGER**, **AVERTISSEMENT** ou **ATTENTION**) est utilisé conjointement avec le symbole d'alerte pour indiquer la possibilité et la gravité des blessures potentielles. De plus, un symbole de danger peut être utilisé pour représenter le type de danger.















 **DANGER** indique un danger qui, s'il n'est pas évité, causera des blessures graves, voire mortelles.

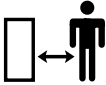
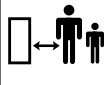

 **AVERTISSEMENT** indique un danger qui, s'il n'est pas évité, pourrait causer des blessures graves, voire mortelles.

 **ATTENTION** indique un danger qui, s'il n'est pas évité, pourrait causer des blessures mineures ou modérées.

**AVIS** indique une situation qui pourrait causer des dommages au produit.

## Symboles de risque de la souffleuse

Symbole	Signification	Symbole	Signification
	Renseignements de sécurité sur les dangers pouvant causer des blessures.		Lire et comprendre le manuel de l'utilisateur avant de faire fonctionner ou d'entretenir l'unité.
	Danger d'amputation - Hélice tournante		Retirer la clé avant d'effectuer tout entretien. Lire le manuel de l'utilisateur avant d'entreprendre l'entretien.
	Danger d'amputation - Hélice tournante		Danger d'amputation - tarière tournante
	Danger d'amputation - ne pas toucher aux pièces mobiles.		Risque d'objets projetés.
	Risque d'incendie.		Risque d'explosion.
	Risque de décharge électrique.		Risque d'émanations toxiques.
	Risque de surfaces chaudes.		Risque de rebond/rappel soudain.

Symbole	Signification	Symbole	Signification
	Maintenir une distance sécuritaire.		Éloigner les enfants.
	Porter des lunettes de sécurité	----	----

É.-U. Modèles : L'utilisation ou le fonctionnement du moteur sur des terrains forestiers, broussailleux ou herbeux constituent une violation de la Section 4442 du Code des ressources publiques de Californie, à moins que le système d'échappement ne soit équipé d'un pare-étincelles, comme le définit la Section 4442, maintenu en bon état de marche. D'autres provinces ou compétences fédérales peuvent avoir des lois similaires. Communiquez avec le fabricant, le détaillant ou le revendeur d'origine de l'appareil pour obtenir un pare-étincelles conçu pour le système d'échappement installé sur ce moteur.

## Étiquettes de sécurité



Cette souffleuse peut amputer des mains et des pieds. Elle peut également projeter des objets. Lire et observer toutes les consignes de sécurité de ce manuel. Tout manquement à cet égard pourrait entraîner des blessures graves, voire mortelles.

Le contact de la main avec la tarière en rotation est la cause la plus fréquente de blessure associée aux souffleuses.



Avant d'utiliser cette unité, lire, comprendre et observer les consignes sur la souffleuse et dans le manuel de l'utilisateur. Le non-respect des consignes de sécurité de ce manuel pourrait entraîner des blessures graves, voire mortelles.

- Permettre uniquement aux utilisateurs responsables, formés, familiers avec les consignes et physiquement capables d'utiliser la machine.



Toujours porter des lunettes de sécurité ou un écran facial durant l'utilisation de la machine ou lors de réglages ou de l'entretien afin de protéger les yeux des matières étrangères qui pourraient être projetées par celle-ci.



É.-U. Modèles : Certains composants de ce produit et de ses accessoires contiennent des produits chimiques reconnus dans l'état de Californie comme étant cause de cancer, d'anomalies congénitales ou d'autres effets néfastes sur la fonction de reproduction. Se laver les mains après la manipulation.

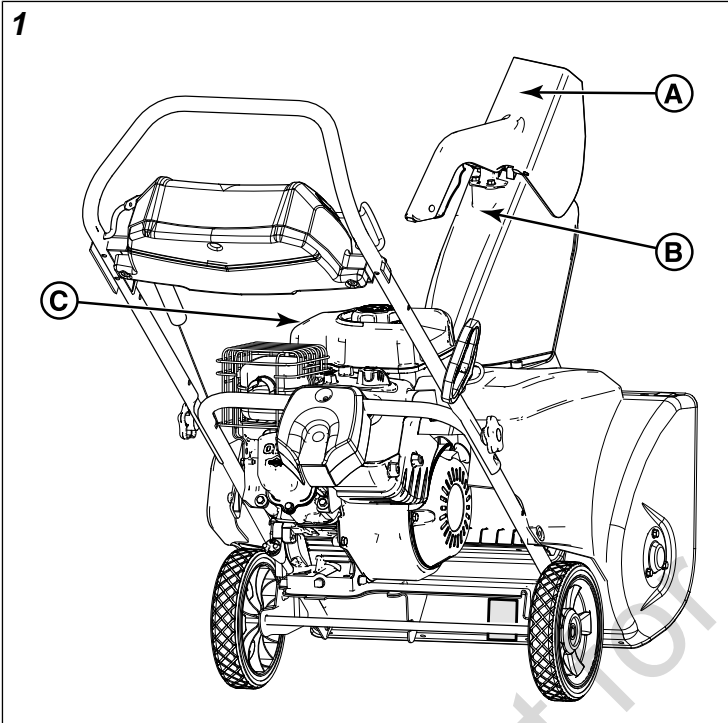


É.-U. Modèles : L'échappement du moteur de ce produit contient des produits chimiques connus selon l'État de la Californie de causer le cancer, des anomalies congénitales ou autre effet nuisible à la reproduction.

## Autocollants de Sécurité

Pour éviter les blessures, lire et comprendre les autocollants de sécurité sur la souffeuse avant de l'utiliser. Faire correspondre les lettres de la Figure 1 aux autocollants du tableau associé.

Si des autocollants de sécurité sont usés, endommagés ou illisibles, communiquez avec un centre de réparation autorisé pour commander des autocollants de rechange.



**A**

<b>⚠ DANGER</b>	
<b>Amputation hazard</b>	
Contact with moving parts inside chute will cause serious injury.	
<ul style="list-style-type: none"> <li>• Shut off engine before unclogging discharge chute.</li> <li>• Use clean-out tool, not hands!</li> </ul>	
<b>Risque d'amputation</b>	
Tout contact avec des pièces en mouvement à l'intérieur de la goulotte provoquera de graves blessures.	
<ul style="list-style-type: none"> <li>• Arrêter le moteur avant de dégager la goulotte d'éjection.</li> <li>• Utiliser l'outil de dégagement, pas les mains!</li> </ul>	
1737865	

**B**

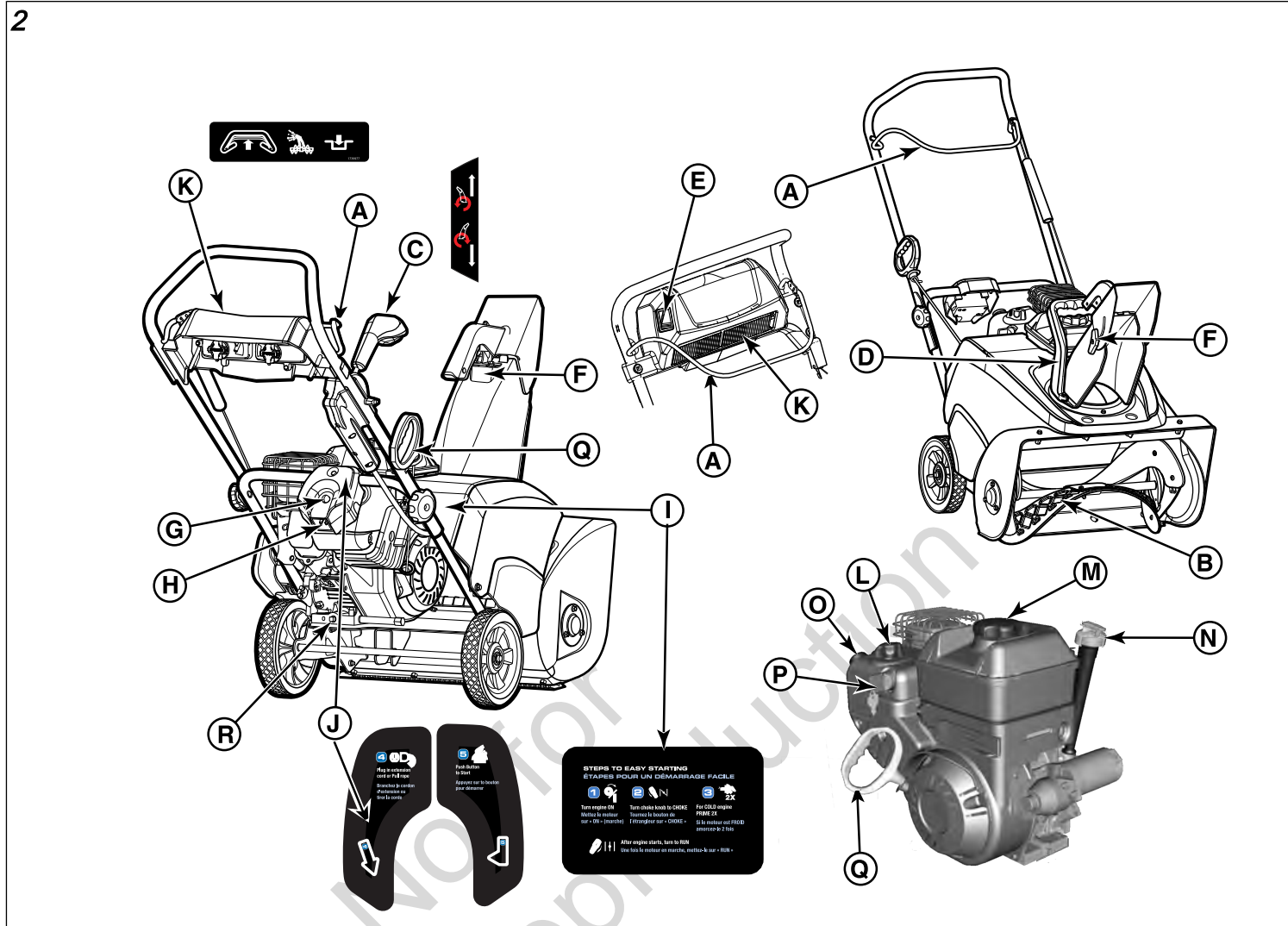
<b>⚠ DANGER</b>		
Shut off engine and remove key before performing maintenance or repair work.		Arrêter le moteur et retirer la clé avant d'effectuer tout entretien ou toute réparation.
Read the operator's manual for operating and safety instructions.		Lire les consignes de sécurité et d'utilisation dans le manuel d'utilisation.
<b>Thrown Objects Hazard</b> • Never direct discharge chute towards persons or property.		<b>Danger objets projetés</b> • Ne jamais diriger la chute en direction des personnes ou biens matériels.
<b>Amputation Hazard</b> • Contact with auger will cause serious injury. • Keep hands, feet and clothing away. • Keep bystanders away.		<b>Risque d'amputation</b> • Tout contact avec la tarière provoquera de graves blessures. • Tenir vos pieds, vos mains et vêtements à distance. • Tenir les spectateurs à distance.
This spark ignition system complies with the Canadian standard ICES-002. Ce système d'allumage par étincelle de véhicule est conforme à la norme NMB-002 du Canada. 1739968		

**C**

<b>WARNING ⚠ AVERTISSEMENT</b>		
Read and follow Operating Instructions before running or servicing engine.		Lire et suivre les instructions d'utilisation avant de démarrer ou effectuer l'entretien du moteur.
Gasoline is flammable. Allow engine to cool at least 2 minutes before refueling.		L'essence est inflammable. Laisser refroidir le moteur pendant au moins 2 minutes avant de faire le plein.
Engines emit carbon monoxide, DO NOT run in enclosed area.		Les moteurs émettent du monoxyde de carbone. NE PAS faire tourner le moteur dans des espaces clos.
Muffler area temperature may exceed 150°F. Do not touch hot parts.		Autour du silencieux, la température peut dépasser 150°F. Ne pas toucher des pièces chaudes.
279655		

# Caractéristiques et commandes

Faire correspondre les lettres de la Figure 2 aux caractéristiques et commandes du tableau associé.



## Symboles de commande et significations

A		Commande de tarière
B	---	Tarière
C		Commande de la goulotte - montée sur la poignée (le cas échéant)
D		Commande de la goulotte - montée sur la goulotte (le cas échéant)
E		Commande de la goulotte - commutateur (le cas échéant)
F		Commande du déflecteur - gâchette ou bouton à oreilles
G		Bouton de démarrage
H		Prise du démarreur

I	---	Autocollant des instructions de démarrage (le cas échéant)
J	---	Autocollant des instructions de démarrage (le cas échéant)
K		Phare (le cas échéant)
L		Étrangleur fermé; étrangleur ouvert
M	---	Bouchon du réservoir de carburant
N	---	Jauge d'huile/de remplissage
O		Bouton d'amorçage
P		Interrupteur de marche/arrêt

<b>Q</b>	---	Poignée du cordon de lancement
<b>R</b>	---	Bouchon de vidange d'huile

Not for  
Reproduction

# Fonctionnement

## AVERTISSEMENT

Le caractère sécuritaire de cette souffleuse repose sur l'utilisateur. Elle peut être dangereuse si elle n'est pas utilisée correctement ou si elle est mal entretenue. N'oubliez pas que vous seul êtes responsable de votre sécurité et de celle des personnes à proximité.

- Avant de s'éloigner de la machine, toujours débrayer la tarière, arrêter le moteur et retirer la clé. Ne jamais laisser une machine en fonction sans surveillance.
- Ne jamais utiliser la souffleuse sans ses protecteurs ni sans que ses autres dispositifs de sécurité soient présents et fonctionnels.
- Faire preuve d'une extrême prudence lors de l'utilisation ou du passage de la machine sur des entrées de cour, des trottoirs ou des routes en gravier. Rester vigilant à l'égard des dangers cachés et de la circulation.
- Ne jamais utiliser la souffleuse sans une bonne visibilité ou un éclairage adéquat. Toujours garder un bon équilibre et maintenir fermement la poignée. Marcher; ne jamais courir.
- Faire preuve de prudence pour éviter de glisser ou de tomber, surtout lors de l'utilisation de la souffleuse en marche arrière.
- Faire preuve d'une extrême prudence lors de l'utilisation de la machine en pente.
- Après avoir heurté un corps étranger, il faut arrêter le moteur, retirer le fil de la bougie d'allumage, débrancher le cordon d'un moteur électrique, inspecter soigneusement la souffleuse pour détecter tout signe de dommage et le réparer, le cas échéant, avant de réutiliser la souffleuse.
- Ne pas utiliser l'équipement sans porter des vêtements d'hiver appropriés. Éviter les vêtements amples qui pourraient se coincer dans les pièces mobiles. Porter des chaussures qui améliorent l'adhérence sur les surfaces glissantes.
- Ne jamais toucher à un silencieux ou un moteur chaud. Laisser le silencieux et le cylindre de moteur refroidir avant de les toucher.

## Zone d'utilisation

1. Il faut se familiariser avec la zone dans laquelle la souffleuse sera utilisée. Marquer les limites des trottoirs et entrées.
2. S'assurer que la zone est exempte de débris ou d'objets qui pourraient être captés par la tarière et projetés par la goulotte d'éjection.

## AVERTISSEMENT

Cette souffleuse peut projeter des objets qui pourraient blesser des personnes à proximité ou endommager des bâtiments.

3. Avant de lancer le moteur, déplacer la souffleuse à l'extérieur, loin des portes et fenêtres.

## AVERTISSEMENT

Le moteur produit du monoxyde de carbone, un gaz toxique inodore et incolore. Respirer du monoxyde de carbone peut causer des nausées, l'évanouissement ou la mort.

- Faire démarrer et fonctionner le moteur à l'extérieur.
  - Ne pas faire fonctionner le moteur dans un espace fermé, même si des portes ou fenêtres sont ouvertes.
4. S'assurer que personne ne se trouve dans la zone de déblayage, particulièrement des enfants.

## AVERTISSEMENT

Cette souffleuse peut amputer des mains et des pieds. Elle peut également projeter des objets. Lire et observer toutes les consignes de sécurité de ce manuel. Tout manquement à cet égard pourrait entraîner des blessures graves, voire mortelles.

- Éloigner les enfants de la zone durant l'utilisation.
- Les enfants sont souvent attirés par l'équipement. Il faut tenir compte des personnes présentes.
- Demeurer alerte et arrêter l'unité si une personne entre dans la zone.
- Faire très attention à l'approche de virages aveugles, d'arbustes, d'arbres ou d'autres objets qui pourraient nuire à la visibilité.

## Démarrage du moteur

### Vérification du niveau d'huile

#### AVIS

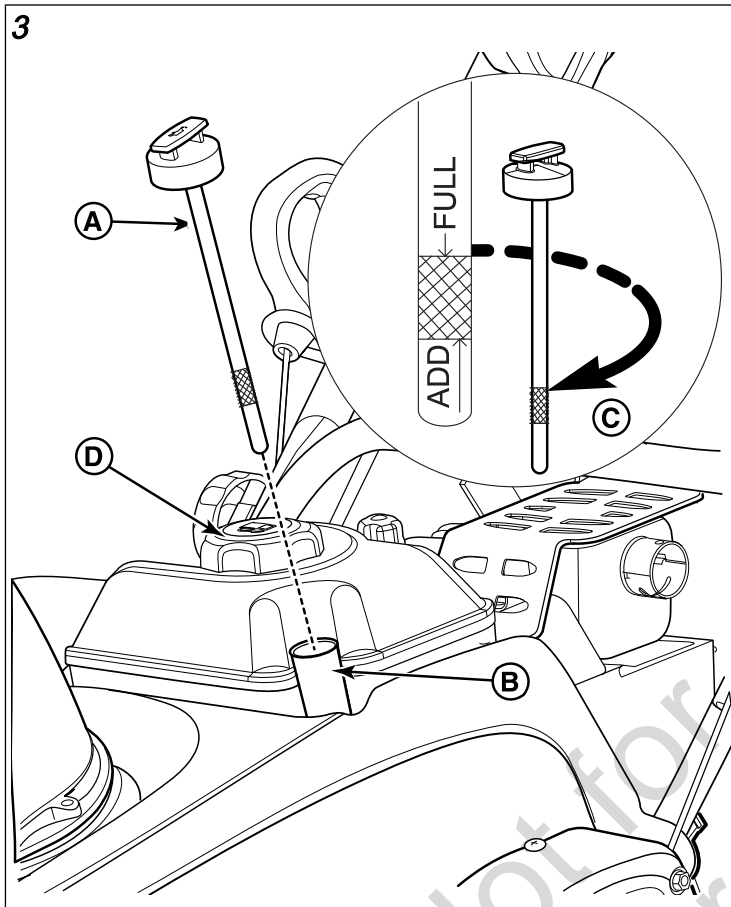
Ce moteur a été livré de l'usine sans huile. Avant de faire démarrer le moteur, veiller à ajouter de l'huile selon les instructions de ce manuel. Si le moteur est mis en marche sans huile, il sera endommagé de manière irréversible et ne sera pas couvert par la garantie.

Pour des résultats optimaux, utiliser de l'huile synthétique Briggs & Stratton **5W-30** reconnue par la garantie. D'autres huiles détergentes de grande qualité peuvent être utilisées si elles sont classées SG, SH, SJ ou plus. Ne pas ajouter d'additifs.

1. Mettre l'unité sur une surface plane.
2. Débarrasser la zone de remplissage d'huile de la présence d'humidité ou de débris.
3. Retirer la jauge d'huile (A, Figure 3) et l'essuyer avec un chiffon propre.
4. Insérer et serrer la jauge d'huile avant de la retirer de nouveau pour vérifier le niveau d'huile. Il devrait se situer à la marque supérieure de la jauge (C)



5. Verser l'huile lentement dans l'orifice de remplissage (B). Ne pas trop remplir.
6. Attendre une minute avant de vérifier le niveau d'huile.
7. Lorsque le niveau d'huile atteint la marque supérieure de la jauge (C), l'insérer et la serrer.



### Ajout de carburant

Le carburant doit remplir les exigences suivantes :

- Essence sans plomb fraîche et propre
- Indice d'octane minimum de 87/87 AKI (90 RON).
- L'essence contenant jusqu'à 10 % d'éthanol est acceptable

### AVIS

Ne pas utiliser une essence non approuvée, comme E15 et E85. Ne pas ajouter de l'huile à l'essence ni modifier le moteur pour fonctionner avec d'autres carburants. L'utilisation de carburant non approuvé endommagera le moteur, ce qui ne sera pas couvert par la garantie.

À des altitudes supérieures à 1 524 m (5 000 pi), un indice d'octane minimum de 85/85 AKI (89 RON) est acceptable. Pour se conformer aux normes sur les émissions polluantes, un réglage est nécessaire en haute altitude. L'utilisation de l'unité sans ce réglage fera en sorte de réduire la performance, d'augmenter la consommation de carburant et des émissions. Consulter un centre d'entretien autorisé pour en savoir plus au sujet des réglages en haute altitude. Il n'est pas recommandé

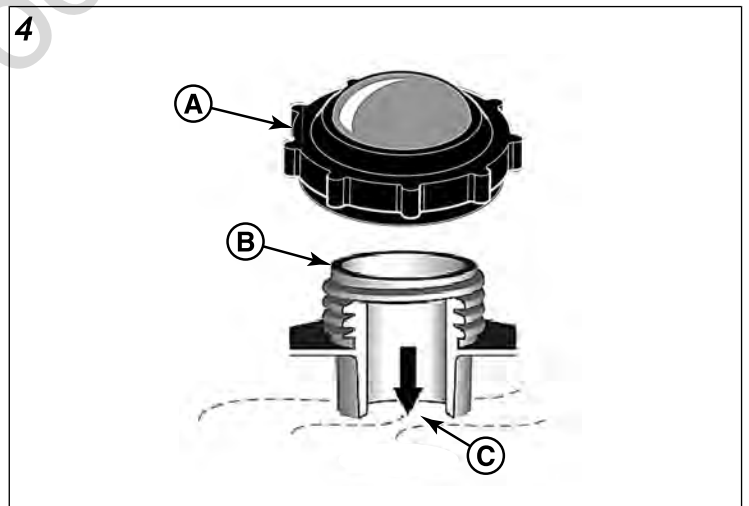
d'utiliser une souffleuse réglée pour la haute altitude si celle-ci est inférieure à 762 m (2 500 pi).



Le carburant et ses vapeurs sont extrêmement inflammables et explosifs. Toujours manipuler le carburant avec une extrême prudence.

Le non-respect de ces consignes de sécurité pourrait causer un incendie ou une explosion, entraînant des brûlures graves, voire mortelles.

- Ne pas ajouter de carburant lorsque le moteur tourne. Laisser le moteur refroidir au moins deux minutes avant d'ajouter du carburant.
  - Remplir le réservoir uniquement à l'extérieur au moyen d'un contenant de carburant approuvé alors que l'unité est au sol.
  - Garder le carburant loin des étincelles, des flammes nues, des veilleuses, de la chaleur et des autres sources d'allumage.
  - Laisser tout carburant déversé s'évaporer avant de lancer le moteur.
  - Changer immédiatement de vêtements si ceux-ci sont éclaboussés de carburant.
1. Retirer lentement le bouchon du réservoir (A, Figure 4) et remplir le réservoir (B) de carburant. Ne pas remplir plus haut que la base du goulot de remplissage du réservoir (C).
  2. Remettre le bouchon du réservoir de carburant. Laisser tout carburant déversé s'évaporer avant de lancer le moteur.



### Démarrage du moteur



## AVERTISSEMENT

Le carburant et ses vapeurs sont extrêmement inflammables et explosifs. Toujours manipuler le carburant avec une extrême prudence.

Le non-respect de ces consignes de sécurité pourrait causer un incendie ou une explosion, entraînant des brûlures graves, voire mortelles.

- S'assurer que la bougie d'allumage, le silencieux, le bouchon de carburant et le filtre à air (si équipé) sont en place et bien fixés.
- Ne pas mettre le moteur en marche si la bougie est retirée.
- Ne pas utiliser de liquide d'allumage sous pression puisque ses vapeurs sont inflammables.
- Ne pas trop amorcer le moteur. Suivre les instructions de ce manuel se rapportant au démarrage du moteur.
- Si le moteur se noie, mettre l'étrangleur (le cas échéant) à la position « OPEN/RUN » (Ouvert/Marche), placer le papillon des gaz (le cas échéant) à la position « FAST » (Rapide) et lancer le moteur jusqu'à ce qu'il démarre.

1. S'assurer que la commande de tarière est désactivée.
2. Insérer la clé de contact (A, Figure 5) et la tourner en position « ON » (Marche) ou enfoncer la clé va-et-vient.
3. Tourner la commande d'étranglement (B) en position fermée.

*Remarque* : L'étrangleur n'est généralement pas nécessaire lorsque le moteur est chaud.

4. Enfoncer deux fois le bouton d'amorçage (C).

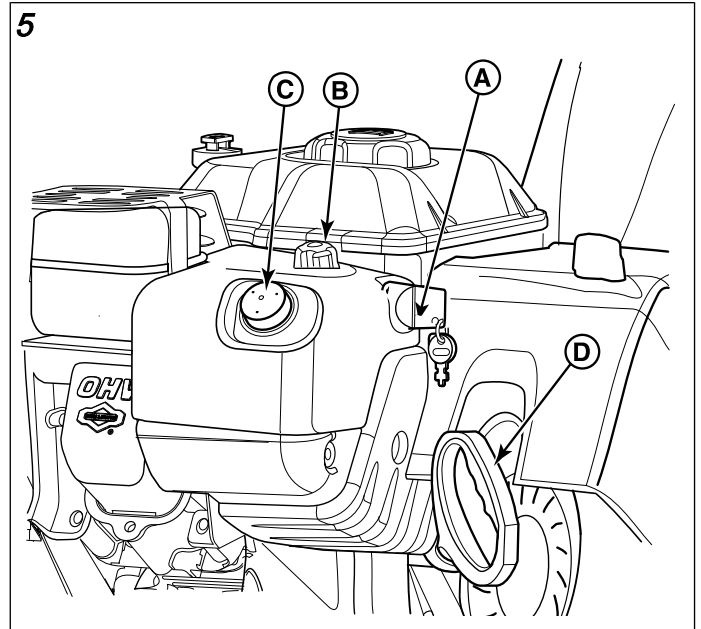
*Remarque* : L'amorçage n'est généralement pas nécessaire lorsque le moteur est chaud.

5. **Démarrage avec le cordon de lancement** : Tenir fermement la poignée du cordon de lancement (D). Tirer lentement sur la poignée jusqu'à ce qu'une résistance soit ressentie, puis tirer rapidement.



## AVERTISSEMENT

Une rétraction rapide du cordon de lancement (effet de rebond) tirera la main et le bras vers le moteur plus rapidement que l'on ne peut relâcher le cordon. Des os cassés, des fractures, des ecchymoses ou des entorses pourraient se produire.



6. **Démarrage électrique** : Raccorder la rallonge d'alimentation (E, Figure 6) au boîtier du démarreur (F) sur le moteur, puis brancher l'autre extrémité dans une prise murale. Appuyer sur le bouton-poussoir du boîtier du démarreur (G). Une fois le moteur lancé, débrancher la rallonge d'alimentation de la prise murale, puis du boîtier du démarreur.



## AVERTISSEMENT

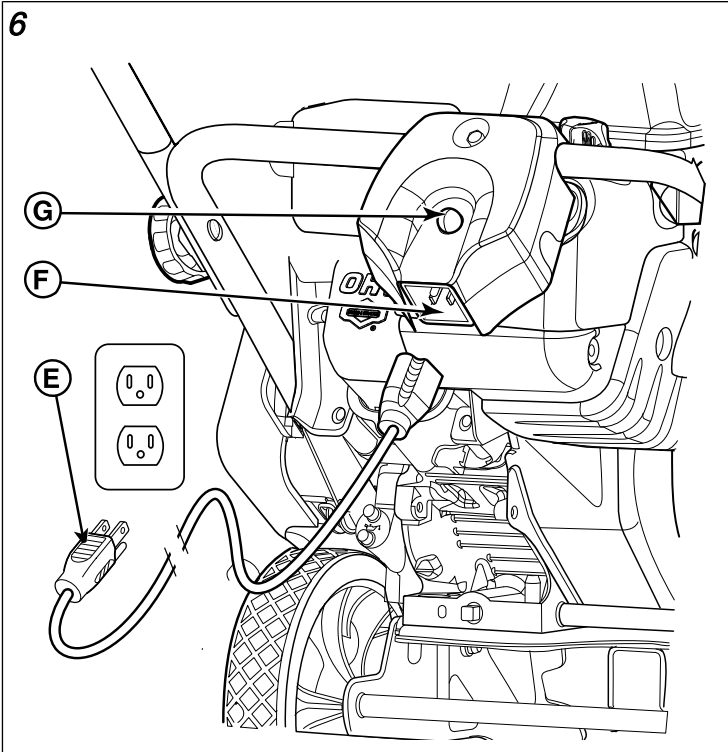
Un cordon d'alimentation endommagé ou non mis à la terre peut causer une décharge électrique. Une décharge électrique peut provoquer des brûlures graves, voire mortelles.

- Utiliser uniquement un cordon d'alimentation à trois broches correctement mis à la terre à la source d'alimentation.
- Si la rallonge est endommagée, elle doit être remplacée par le fabricant, son dépositaire ou une personne qualifiée.

**AVIS** Pour prolonger la durée de vie du démarreur, utiliser des cycles de démarrage courts (cinq secondes maximum). Attendre une minute entre les tentatives de démarrage.

Si après plusieurs tentatives le moteur ne démarre pas, communiquer avec un centre d'entretien autorisé ou consulter notre site Web.

7. Laisser le moteur se réchauffer durant plusieurs minutes. Déplacer graduellement l'étrangleur en position ouverte.



3. Relâcher le bouton pour bloquer la goulotte à la position voulue.

**AVIS** Ne pas user de force excessive lors de l'utilisation de la commande.

#### Rotation de la goulotte - commande montée sur la goulotte (le cas échéant)

1. Saisir la poignée de commande de la goulotte à la base de celle-ci (D, Figure 7).
2. Tourner la poignée vers la droite ou la gauche pour faire pivoter la goulotte. Une plaque de tension maintient la goulotte à la position voulue.

#### Rotation de la goulotte - commutateur (le cas échéant)

1. Appuyer sur le commutateur (E, Figure 7) pour faire pivoter la tarière.
2. Relâcher le commutateur pour bloquer la goulotte à la position voulue.

#### Réglage du déflecteur

1. Maintenir le bouton de la poignée de réglage du déflecteur enfoncé (F, Figure 7), ou desserrer le bouton à oreilles (F).
2. Déplacer le déflecteur vers le haut ou le bas pour régler la hauteur et la distance d'éjection de la neige.
3. Relâcher le bouton pour bloquer le déflecteur à la position voulue, ou serrer le bouton à oreilles.

### Arrêt du moteur

1. Tourner la clé de contact (A, Figure 5) à la position « OFF » (ARRÊT), puis la retirer ou retirer la clé va-et-vient, le cas échéant.
2. Garder la clé en lieu sûr hors de la portée des enfants. Le moteur ne peut pas tourner sans la clé.

### Réglage de la goulotte d'éjection et du déflecteur



**AVERTISSEMENT**

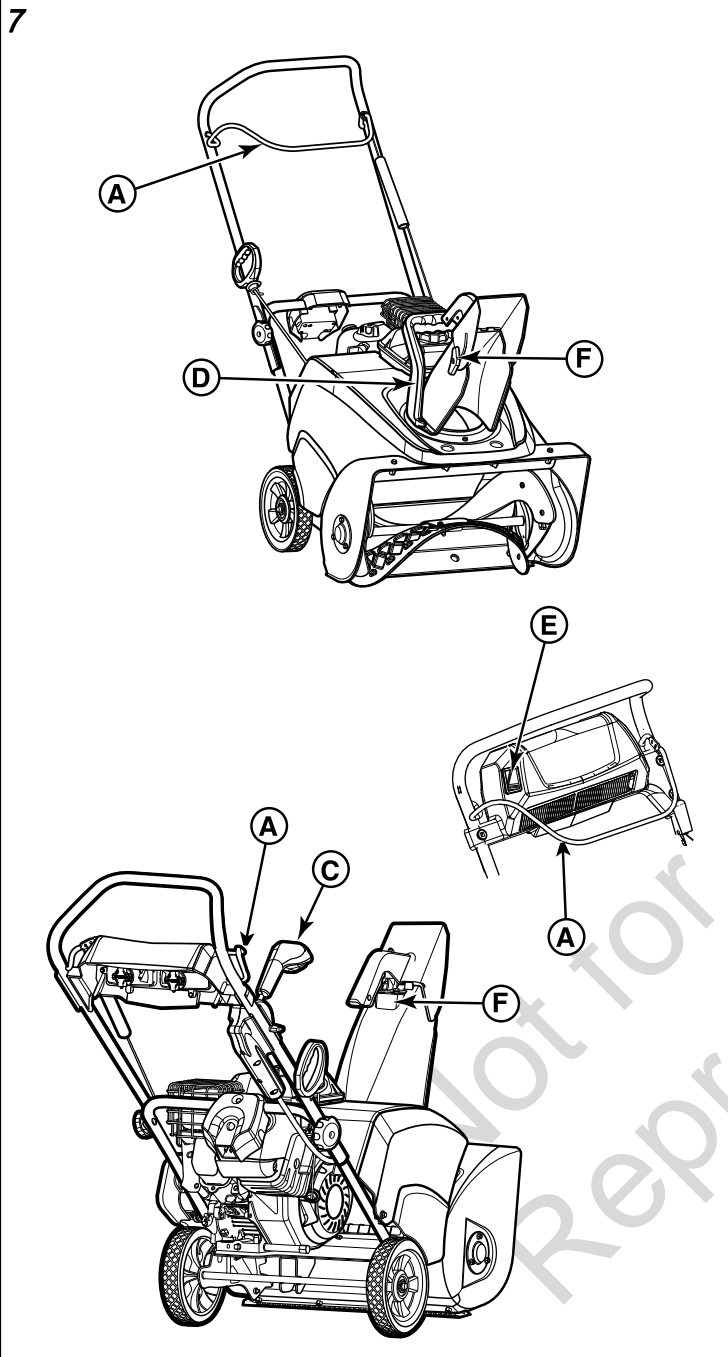
La glace, le gravier ou d'autres objets imprévus peuvent être ramassés par la tarière et éjectés de la goulotte avec force. Les objets éjectés de la goulotte pourraient causer des dommages matériels et des blessures graves, voire mortelles.

- Toujours être conscient du sens d'éjection de la neige.

**AVIS** Ne pas utiliser le déflecteur de goulotte ou la poignée de rotation de la goulotte pour soulever l'unité. Ces composants sont uniquement conçus pour apporter les réglages nécessaires.

#### Rotation de la goulotte - commande montée sur la poignée (le cas échéant)

1. Maintenir le bouton de la poignée de réglage de la goulotte enfoncé (C, Figure 7).
2. Pousser la poignée vers l'avant ou la tirer vers l'arrière pour faire pivoter la goulotte.



2. Relâcher la commande pour débrayer la tarière. La tarière doit s'arrêter en moins de cinq secondes après avoir relâché la commande. Si ce n'est pas le cas :

- Régler le câble de commande. Voir la rubrique **Réglage du câble de commande de la tarière**.
- Si la tarière ne s'arrête toujours pas en moins de cinq secondes, consulter un détaillant autorisé.

**AVIS** Ne pas surcharger la machine en tentant de déblayer la neige trop rapidement.

## Embrayage de la tarière



La goulotte d'éjection est munie d'une tarière rotative pour projeter la neige. La tarière peut poser un risque pour les doigts et les pieds qui s'y coincent, ce qui peut entraîner une amputation traumatique ou de graves lacérations.

Le non-respect de ces consignes de sécurité peut entraîner une amputation traumatique ou de graves lacérations.

1. Tirer sur la commande de tarière (A, Figure 7) et l'appuyer contre la poignée pour embrayer la tarière.

## Dégagement d'une goulotte d'éjection obstruée



La goulotte d'éjection est munie d'une tarière rotative pour projeter la neige. La tarière peut poser un risque pour les doigts qui s'y coincent, ce qui peut entraîner une amputation traumatique ou de graves lacérations. Ne jamais dégager la goulotte d'éjection avec les mains. Toujours utiliser un outil de dégagement.

Suivre ces consignes pour dégager une goulotte d'éjection obstruée de manière sécuritaire :

1. Arrêter le moteur et retirer la clé.
2. S'assurer que la tarière a cessé de tourner.
3. Utiliser un outil de dégagement pour retirer la neige de la goulotte d'éjection. Ne jamais dégager une goulotte d'éjection obstruée avec les mains!

## Utilisation du phare

Certains modèles sont munis d'un phare pour éclairer la zone devant la souffleuse. Le phare s'allume automatiquement lorsque le moteur tourne. Il ne comprend aucun interrupteur.

Not for  
Reproduction

# Entretien et réglages

Nous vous recommandons de communiquer avec un centre d'entretien autorisé pour tout ce qui concerne l'entretien et les réglages de l'unité. Le propriétaire peut exécuter certaines tâches d'entretien de routine. Se reporter au calendrier d'entretien et aux procédures qui suivent.

## ATTENTION

Pour un fonctionnement adéquat, tous les composants utilisés pour fabriquer ce produit doivent demeurer installés. Les pièces de rechange doivent être de la même conception et être installées dans la même position que les pièces d'origine. D'autres pièces pourraient ne pas fonctionner aussi bien, endommager la machine et entraîner des blessures.

## AVERTISSEMENT

Il faut effectuer l'entretien adéquat de cette souffleuse pour assurer son fonctionnement sécuritaire et son rendement. Le non-respect des consignes de sécurité de ce manuel pourrait entraîner des blessures graves, voire mortelles.

- Avant d'exécuter toute tâche d'entretien ou de réparation sur cette souffleuse, ARRÊTER le moteur, puis retirer la clé de contact ou la clé va-et-vient.

## Calendrier d'entretien

Les cinq premières heures
Vidange d'huile
Avant chaque utilisation
<ul style="list-style-type: none"><li>• Vérifier le niveau d'huile du moteur</li><li>• Vérifier le délai d'arrêt de la tarière</li></ul>
Après chaque utilisation
Retirer la neige et la gadoue accumulées afin d'empêcher le gel des commandes, des roues, de la goulotte d'éjection et de la tarière
Toutes les 25 heures ou annuellement
<ul style="list-style-type: none"><li>• Vérifier l'usure de la barre de raclage et de la tarière en caoutchouc</li><li>• Vidanger l'huile moteur</li><li>• Vérifier si la quincaillerie de la souffleuse est bien fixée</li><li>• Vérifier le réglage du câble de commande de la tarière</li><li>• Vérifier l'état du silencieux et de son capot protecteur</li><li>• Remplacer la bougie d'allumage (entretien par le détaillant)</li><li>• Vérifier le jeu de soupapes* (entretien par le détaillant)</li></ul>

\* Non requis à moins de problèmes de rendement du moteur.

## Contrôle des émissions polluantes

L'entretien, le remplacement ou la réparation des dispositifs et systèmes de contrôle des émissions polluantes doit être réalisé par une personne ou un établissement de réparation de moteurs non routiers. Toutefois, pour obtenir l'entretien « sans frais » du système de contrôle des émissions polluantes, le travail doit être réalisé par un détaillant autorisé.

## Vidange de l'huile moteur

L'huile vidangée doit être éliminée de façon appropriée. Ne pas la jeter avec les déchets ménagers. Vérifier auprès des autorités locales, des centres de services ou des revendeurs où se trouvent les installations d'élimination des déchets ou de recyclage.

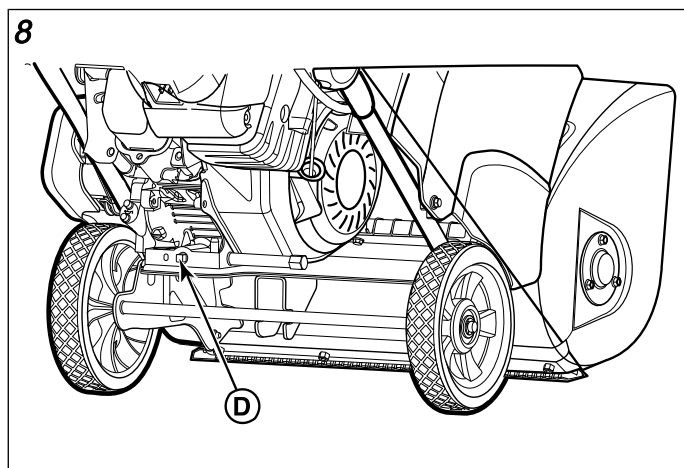
Pour des résultats optimaux, utiliser de l'huile synthétique Briggs & Stratton 5W-30 reconnue par la garantie. D'autres huiles détergentes de grande qualité peuvent être utilisées si elles sont classées SG, SH, SJ ou plus. Ne pas ajouter d'additifs.

1. Alors que le moteur est arrêté, mais toujours chaud, mettre la clé de contact à « OFF » (Arrêt) et la retirer (ou retirer la clé va-et-vient, le cas échéant).

## AVERTISSEMENT

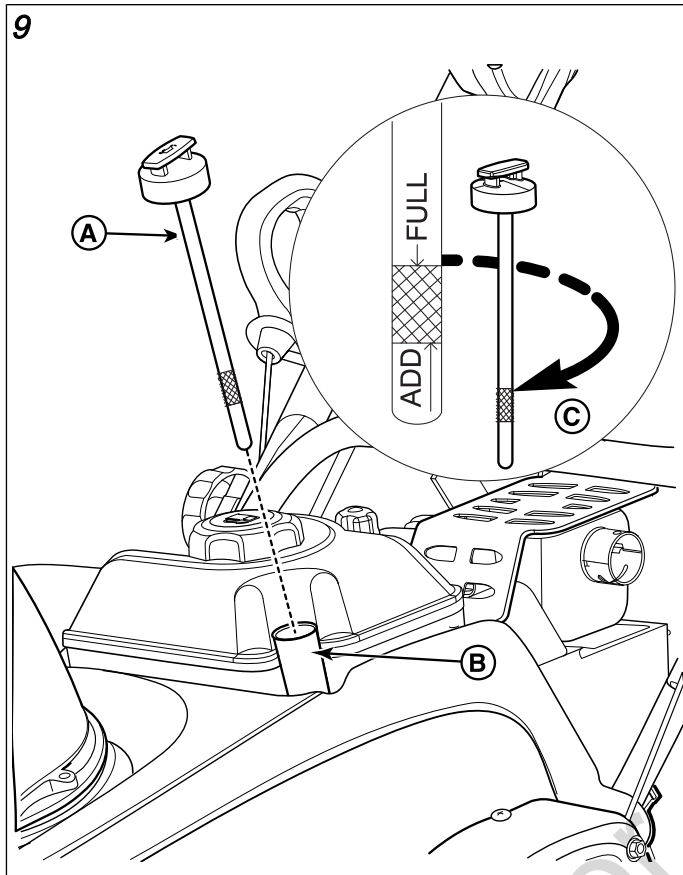
Le carburant et ses vapeurs sont très inflammables et pourraient causer un incendie ou des brûlures entraînant des blessures graves, voire mortelles.

- Lors d'un entretien nécessitant que l'unité soit inclinée, on doit vider le réservoir de carburant pour éliminer tout risque de fuite qui pourrait causer un incendie ou une explosion.
2. Retirer le bouchon de vidange d'huile (D, Figure 8) et incliner légèrement la souffleuse pour vidanger l'huile dans un contenant approprié.
3. Lorsque l'huile est vidangée, installer et serrer le bouchon de vidange d'huile (D).



4. Mettre l'unité sur une surface plane.
5. Débarrasser la zone de remplissage d'huile de la présence d'humidité ou de débris.

6. Retirer la jauge d'huile (A, Figure 9) et l'essuyer avec un chiffon propre. La mettre de côté.



7. Verser l'huile lentement dans le tube de remplissage (B). Voir la rubrique **Fiche technique** pour connaître la contenance d'huile. Ne pas trop remplir.
8. Attendre une minute avant de vérifier le niveau d'huile.
9. Insérer et serrer la jauge d'huile avant de la retirer de nouveau pour vérifier le niveau d'huile. Il devrait se situer à la marque supérieure de la jauge (C).
10. Lorsque le niveau d'huile atteint la marque supérieure de la jauge, l'insérer et la serrer.

## Réglage du câble de commande de la tarière



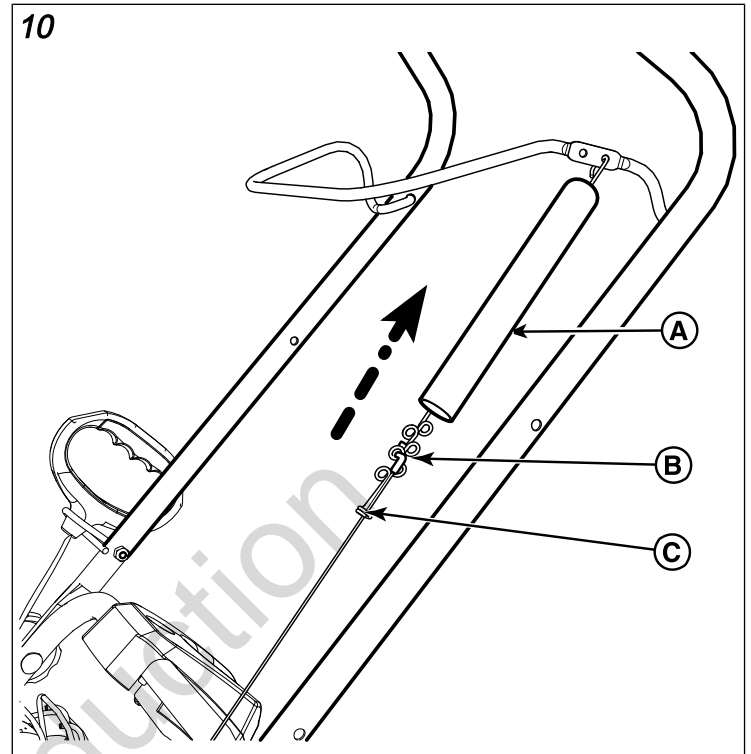
La goulotte d'éjection est munie d'une tarière rotative pour projeter la neige. La tarière peut poser un risque pour les doigts et les pieds qui s'y coincent, ce qui peut entraîner une amputation traumatique ou de graves lacérations.

- Trop serrer le câble de tarière peut entraîner la rotation de celle-ci même si le levier de commande n'est pas enfoncé.

La tarière doit seulement tourner lorsque le levier de commande est enfoncé et elle doit s'arrêter en moins de cinq secondes une fois le levier relâché. Si la tarière ne tourne pas ou si elle ne s'arrête pas comme décrit ci-dessus, régler le câble de

commande ou communiquer avec un centre d'entretien autorisé pour le faire faire.

1. ARRÊTER le moteur, puis retirer la clé de contact ou la clé va-et-vient.
2. Soulever la gaine de câble (A, Figure 10) pour exposer les anneaux de réglage (B) et le raccord d'extrémité de câble (C).



3. Retirer le raccord d'extrémité de l'anneau de réglage et le réinstaller comme suit :
  - Si la tarière tourne lorsque la commande de tarière n'est pas activée, allonger le câble de commande en installant le raccord d'extrémité sur le prochain anneau le plus bas (réduire la tension de courroie).
  - Si la tarière ne tourne pas lorsque la commande de tarière est activée, raccourcir le câble de commande en installant le raccord d'extrémité sur le prochain anneau le plus haut (augmenter la tension de courroie).

*Remarque :* Le câble doit présenter un certain mou lorsque la commande de tarière n'est pas activée.

4. Remettre la gaine de câble en place.
5. Après avoir terminé le réglage, effectuer l'essai ci-dessous :



Vérifier le fonctionnement de la commande de tarière au moyen de l'essai ci-dessous. Si l'unité ne fonctionne pas comme prévu, NE PAS l'utiliser. Communiquer avec un centre d'entretien autorisé pour faire inspecter, entretenir ou réparer l'unité.

### Essai de la commande de tarière

Alors que le moteur tourne :

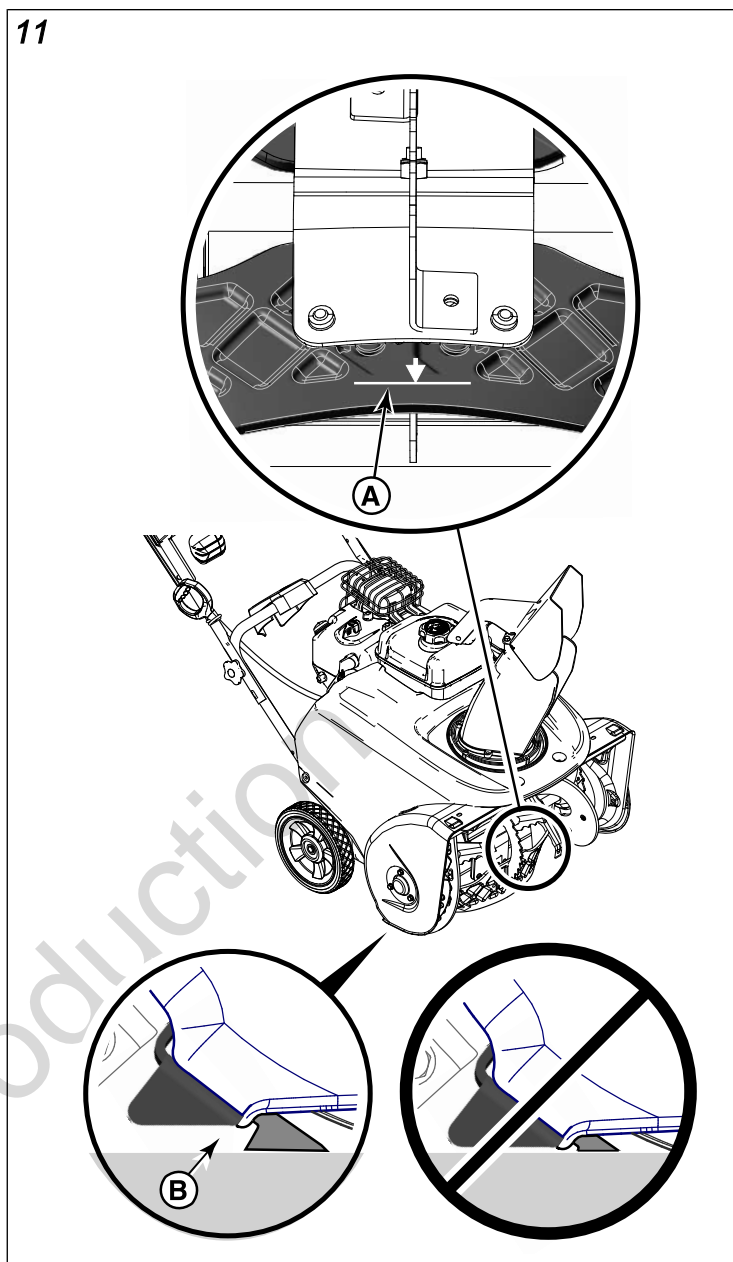


- Appuyer sur le levier de commande de la tarière et le maintenir enfoncé. La tarière devrait tourner.
- Relâcher le levier de commande de la tarière. **La tarière doit cesser de tourner en moins de cinq secondes.**

## Entretien de la tarière et de la barre de raclage

1. ARRÊTER le moteur, puis retirer la clé de contact ou la clé va-et-vient.
  2. Vérifier la limite d'usure sur la tarière en caoutchouc (A, Figure 11) ainsi que l'écart entre le support de barre de raclage et le sol (B).
- Si la limite d'usure de la tarière en caoutchouc est atteinte, il faut remplacer les deux vis sans fin en caoutchouc. Communiquez avec un détaillant autorisé.
  - Si le support de barre de raclage touche le sol, il faut remplacer la barre de raclage. Communiquez avec un détaillant autorisé.

11



Not for  
Reproduction

# Entreposage

- Vérifier la commande de la tarière.

À la fin de la saison, ou chaque fois que l'unité est entreposée pour une période d'au moins 30 jours, suivre la liste de vérification d'entreposage ci-dessous.



L'essence est très inflammable et ses vapeurs sont explosives. Les vapeurs pourraient se propager jusqu'à une source d'allumage distante et causer un incendie ou une explosion.

- Si le réservoir contient de l'essence, ne pas ranger l'unité à l'intérieur ou dans un endroit mal ventilé où les vapeurs pourraient entrer en contact avec des étincelles, des flammes nues, des veilleuses, de la chaleur et d'autres sources d'allumage.

## Moteur :

L'essence peut s'éventer lors d'un entreposage de plus de 30 jours. L'essence éventée peut causer des dépôts d'acide et de gomme dans le système d'alimentation en carburant et le carburateur. Pour éviter que l'essence ne s'évente, ajouter un stabilisateur de carburant de formule évoluée **Briggs & Stratton**.

- Nul besoin de vidanger le carburant du moteur lorsqu'on y ajoute un stabilisateur en respectant les instructions. Faire tourner le moteur durant deux minutes pour faire circuler le stabilisateur dans le système d'alimentation en carburant. Si aucun additif n'est ajouté, il faut vidanger le carburant du moteur dans un contenant approuvé. Ensuite, faire fonctionner le moteur jusqu'à ce qu'il s'arrête suite à la panne d'essence.
- Pendant que le moteur est encore chaud, vidanger l'huile. Voir la rubrique **Vidange de l'huile du moteur**.

## Souffleuse :

- S'assurer que les écrous, les boulons et les vis sont tous fermement fixés.
- Vérifier toutes les pièces mobiles externes pour déceler tout signe d'usure ou de dommage. Remplacer des pièces au besoin.
- Enduire les surfaces non peintes et le métal nu d'un produit antirouille.
- Couvrir l'unité et la ranger à l'intérieur.
- Si l'unité doit être entreposée à l'extérieur, la couvrir d'une bâche.

## Retour de l'unité aux fins d'entretien :

- Faire exécuter les tâches d'entretien annuel chez un centre d'entretien autorisé. Voir la rubrique **Calendrier d'entretien**.
- Vérifier le niveau d'huile et en ajouter au besoin.
- Vérifier s'il y a présence de débris près du silencieux et des cylindres.
- Remplir le réservoir de carburant frais et propre.
- S'assurer que les protecteurs, boucliers et couvercles sont installés.

# Dépannage

Problème	Cause	Solution
<b>La tarière ne cesse pas de tourner lorsque la commande de tarière est relâchée</b>	Le câble de commande doit être réglé	Voir la rubrique <b>Réglage du câble de commande de la tarière</b> .
<b>La tarière ne tourne pas lorsque la commande de tarière est activée</b>	Le câble de commande doit être réglé	Voir la rubrique <b>Réglage du câble de commande de la tarière</b> .
<b>Le moteur ne démarre pas Le réglage de la goulotte ou du déflecteur ne fonctionne pas</b>	La goulotte ou le déflecteur sont gelés	Dégager la neige ou la glace de la goulotte et du déflecteur; mettre la souffeuse dans un endroit chauffé jusqu'à la fonte de la neige ou de la glace accumulée.
	La clé est à la position « OFF » (Arrêt)	Mettre le contact en position « ON » (Marche).
	Le bouton d'amorçage n'est pas enfoncé	Appuyer deux fois sur le bouton d'amorçage avant de tirer sur le cordon de lancement.
	Panne d'essence	Remplir le réservoir de carburant.
	Étrangleur ouvert - moteur froid	Mettre l'étrangleur en position fermée avant de tirer sur le cordon de lancement.
	Moteur noyé	Mettre l'étrangleur en position ouverte; tirer plusieurs fois sur le cordon de lancement jusqu'à ce que le moteur démarre.
	Eau dans le carburant ou carburant éventé	Remplir le réservoir de carburant.
	Le cordon n'est pas branché ou le disjoncteur est déclenché (modèles à démarrage électrique)	Brancher le cordon ou le remplacer s'il est défectueux; réarmer le disjoncteur.
<b>Le moteur démarre difficilement ou fonctionne mal</b>	Huile inappropriée	Changer pour de l'huile de moindre viscosité (comme 5W-30).
	L'étrangleur est mal réglé	Déplacer graduellement l'étrangleur à la position ouverte alors que le moteur se réchauffe
<b>Vibrations excessives</b>	Pièces lâches ou endommagées	Arrêter immédiatement la souffeuse. Communiquez avec un centre de réparation autorisé.
<b>La barre de raclage ne nettoie pas les surfaces dures</b>	Usure de barre de raclage ou de la vis sans fin de tarière	Voir la rubrique <b>Entretien de la tarière et de la barre de raclage</b> .
<b>La souffeuse n'éjecte pas la neige</b>	Le câble de commande doit être réglé	Voir la rubrique <b>Réglage du câble de commande de la tarière</b> .
	Goulotte d'éjection obstruée par la neige	<b>ARRÊTEZ LE MOTEUR!</b> S'assurer que la tarière a cessé de tourner. Utiliser un outil de dégagement pour retirer la neige de la goulotte d'éjection. Ne jamais dégager une goulotte d'éjection obstruée avec les mains! Voir la rubrique <b>Dégagement d'une goulotte d'éjection obstruée</b> .
<b>La souffeuse n'avance pas d'elle-même</b>	La tarière en caoutchouc est usée ou endommagée	Voir la rubrique <b>Entretien de la tarière et de la barre de raclage</b> .

Pour tout autre problème, consulter un détaillant autorisé.

# Fiche technique

Le système d'allumage à étincelles de cette souffleuse respecte la norme canadienne ICES-002.

Élément	Modèle 100000	Modèle 120000	Modèle 130000	Modèle 150000
Marque du moteur	Briggs & Stratton	Briggs & Stratton	Briggs & Stratton	Briggs & Stratton
Gamme de modèles du moteur	Souffleuses	Souffleuses	Souffleuses	Souffleuses
Type de moteur	Quatre temps	Quatre temps	Quatre temps	Quatre temps
Système de démarrage	Démarrage avec cordon de lancement et démarrage électrique	Démarrage avec cordon de lancement et démarrage électrique	Démarrage avec cordon de lancement et démarrage électrique	Démarrage avec cordon de lancement et démarrage électrique
Contenance d'huile	20 oz (,59 L)	20 oz (,59 L)	20 oz (,59 L)	20 oz (,59 L)
Contenance du réservoir de carburant	3.0 pintes (2,8 L)	3.2 pintes (3,0 L)	3.2 pintes (3,0 L)	3.2 pintes (3,0 L)
Jeu de bougie d'allumage	.030 in (,76 mm)	.030 in (,76 mm)	.030 in (,76 mm)	.030 in (,76 mm)
Couple de serrage de la bougie d'allumage	180 lb-in (20 Nm)	180 lb-in (20 Nm)	180 lb-in (20 Nm)	180 lb-in (20 Nm)
Entrefer armature/carcasse	.010 - .014 in (,25 - ,36 mm)	.010 - .014 in (,25 - ,36 mm)	.010 - .014 in (,25 - ,36 mm)	.010 - .014 in (,25 - ,36 mm)
Jeu de soupapes d'admission	.004 - .006 in (,10 - ,15 mm)	.004 - .006 in (,10 - ,15 mm)	.004 - .006 in (,10 - ,15 mm)	.004 - .006 in (,10 - ,15 mm)
Jeu de soupapes d'échappement	.006 - .008 in (,15 - ,20 mm)	.009 - .011 in (,23 - ,28 mm)	.006 - .008 in (,15 - ,20 mm)	.009 - .011 in (,23 - ,28 mm)

\* La puissance du moteur sera réduite de 3,5 % pour chaque 300 mètres (1 000 pieds) au-dessus du niveau de la mer, et de 1 % pour chaque 5,6 °C (10 °F) au-dessus de 25 °C (77 °F). Le moteur fonctionnera normalement jusqu'à une inclinaison de 15°.

## Puissances nominales

La puissance nominale brute de chaque modèle de moteur à essence est étiquetée conformément à la norme J1940, Small Engine Power & Torque Rating Procedure, de la SAE (Society of Automotive Engineers) et elle est classée conformément à la norme SAE J1995. Les valeurs de couple sont calculées à un régime de 2 600 tr/min pour les moteurs dont le régime (rpm) est indiqué sur l'étiquette, et à un régime de 3 060 tr/min pour les autres; les valeurs de puissance sont calculées à un régime de 3 060 tr/min. Vous pouvez consulter les courbes de puissance brute sur le site Web [www.BRIGGSandSTRATTON.COM](http://www.BRIGGSandSTRATTON.COM). Les valeurs de puissance nette sont calculées alors que l'échappement et le filtre à air sont installés, tandis que les valeurs de puissance brutes sont calculées sans ces composants. La puissance brute réelle sera plus élevée que la puissance nette du moteur et elle est notamment assujettie aux conditions d'utilisation ambiantes et à la variabilité des moteurs. En raison de la vaste gamme de produits sur lesquels sont installés les moteurs, un moteur à essence pourrait ne pas fournir la puissance brute nominale indiquée lorsqu'il est utilisé avec un équipement particulier. Cette différence est due à divers facteurs, notamment à la diversité des composants du moteur (filtre à air, échappement, recharge, refroidissement, carburateur, pompe à carburant, etc.), aux restrictions imposées par l'utilisation, aux conditions d'utilisation ambiantes (température, humidité, altitude) et à la variabilité des moteurs. En raison de restrictions de fabrication et de capacité, Briggs & Stratton pourrait substituer ce moteur par un autre modèle d'une puissance nominale supérieure.

Not for  
Reproduction

Not for  
Reproduction