



TANK ALERT® XT Alarm Installation Instructions

This alarm system monitors liquid levels in lift pump chambers, sump pump basins, holding tanks, sewage, agricultural, and other non-potable water applications.

The Tank Alert® XT indoor/outdoor alarm can serve as a high or low level alarm depending on the float switch model used. The alarm horn sounds and the red beacon illuminates when a potentially threatening liquid level condition occurs. A "power on" light on the switch indicates power to the alarm panel.

TANK ALERT® XT ALARM



- Voltage: 120 VAC, 50/60 Hz, 7 watts maximum (alarm condition) (circuit not supervised)
- Enclosure meets Type 3R water-tight standard.
- Automatic alarm reset, horn silence switch, and alarm test switch.
- Alarm horn sounds at 85 decibels at 10 feet (3 meters).
- Alarm system (when installed on separate circuit) operates even if pump circuit fails.
- Maximum line impedance for initiating device: 100 ohms.
- Complete package includes standard Sensor Float® control switch with 15 feet (4.57 meters) of cable (other lengths available) and mounting clamp.
- Three-year limited warranty.

OPTIONS

When ordered with the alarm, the system is available with:

- alternate float switch models for high or low liquid level warning.
- auxiliary alarm contacts for easy attachment of remote devices: (circuit not supervised) 120 VAC, 5 amps max., 50/60 Hz
- premounted terminal block so enclosure can also be used as a junction box for splicing pump, pump switch, and pump power. Meets NEC standard for junction boxes. 20 amps, 120/230 VAC.
- 6 foot (1.8 meter) power cord with 120 VAC plug and liquid-tight connectors.

PREVENTATIVE MAINTENANCE

- Periodically inspect the product. Check that the cable has not become worn or that the housing has not been damaged so as to impair the protection of the product. Replace the product immediately if any damage is found or suspected.
- Periodically check to see that the float is free to move and operate the switch.
- Use only SJE-Rhombus® replacement parts.

SJE-RHOMBUS® THREE-YEAR LIMITED WARRANTY

SJE-RHOMBUS® warrants to the original consumer that this product shall be free of manufacturing defects for three years after the date of consumer purchase. During that time period and subject to the conditions set forth below, SJE-RHOMBUS® will repair or replace, for the original consumer, any component which proves to be defective due to defective materials or workmanship of SJE-RHOMBUS®.

THIS EXPRESS WARRANTY DOES NOT APPLY TO THE MOTOR START KIT COMPONENT. SJE-RHOMBUS® MAKES NO WARRANTIES OF ANY TYPE WITH RESPECT TO THE MOTOR START KIT.

ELECTRICAL WIRING AND SERVICING OF THIS PRODUCT MUST BE PERFORMED BY A LICENSED ELECTRICIAN.

THIS WARRANTY DOES NOT APPLY: (A) to damage due to lightning or conditions beyond the control of SJE-RHOMBUS®; (B) to defects or malfunctions resulting from failure to properly install, operate or maintain the unit in accordance with printed instructions provided; (C) to failures resulting from abuse, misuse, accident, or negligence; (D) to units which are not installed in accordance with applicable local codes, ordinances, or accepted trade practices, and (E) to units repaired and/or modified without prior authorization from SJE-RHOMBUS®.

Some states do not allow limitations on how long an implied warranty lasts, so the above limitation may not apply to you. Some states do not allow the exclusion or limitation of incidental or consequential damages, so the above limitation or exclusion may not apply to you. This warranty gives you specific legal rights, and you may also have other rights which vary from state to state.

TO OBTAIN WARRANTY SERVICE: The consumer shall assume all responsibility and expense for removal, reinstallation, and freight. Any item to be repaired or replaced under this warranty must be returned to SJE-RHOMBUS®, or such place as designated by SJE-RHOMBUS®.

ANY IMPLIED WARRANTIES OF MERCHANTABILITY OR FITNESS ARE LIMITED TO THE DURATION OF THIS WRITTEN WARRANTY. SJE-RHOMBUS® SHALL NOT, IN ANY MANNER, BE LIABLE FOR ANY INCIDENTAL OR CONSEQUENTIAL DAMAGES AS A RESULT OF A BREACH OF THIS WRITTEN WARRANTY OR ANY IMPLIED WARRANTY.

⚠ WARNING**ELECTRICAL SHOCK HAZARD**

Disconnect power before installing or servicing this product. A qualified service person must install and service this product according to applicable electrical and plumbing codes.

**⚠ WARNING****EXPLOSION OR FIRE HAZARD**

Do not use this product with flammable liquids. Do not install in hazardous locations as defined by National Electrical Code, ANSI/NFPA 70.



Failure to follow these precautions could result in serious injury or death. Replace product immediately if switch cable becomes damaged or severed. Keep these instructions with warranty after installation. This product must be installed in accordance with National Electric Code, ANSI/NFPA 70 so as to prevent moisture from entering or accumulating within boxes, conduit bodies, fittings, float housing, or cable.

For detailed specifications on this product, or for the complete line of SJE-Rhombus® panel, alarm, and switch products, visit our web-site at www.sjerrhombus.com.

INSTALLING THE FLOAT SWITCH

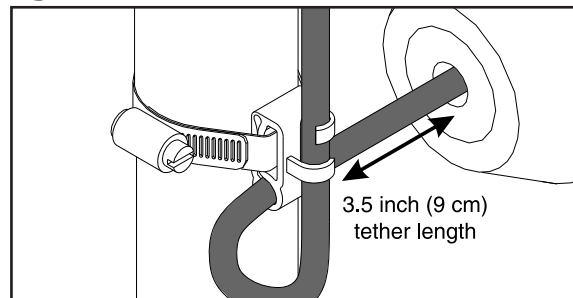
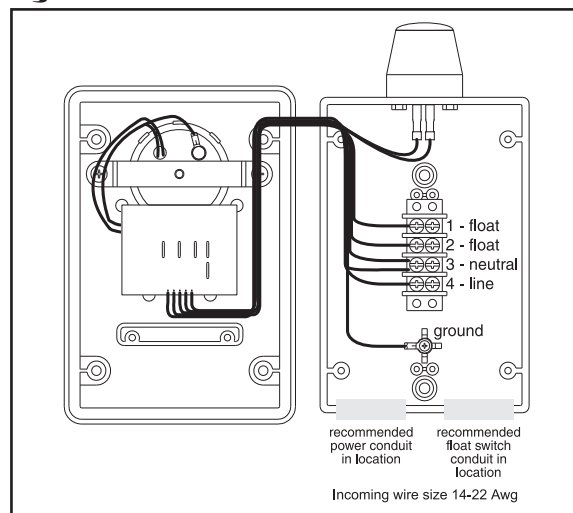
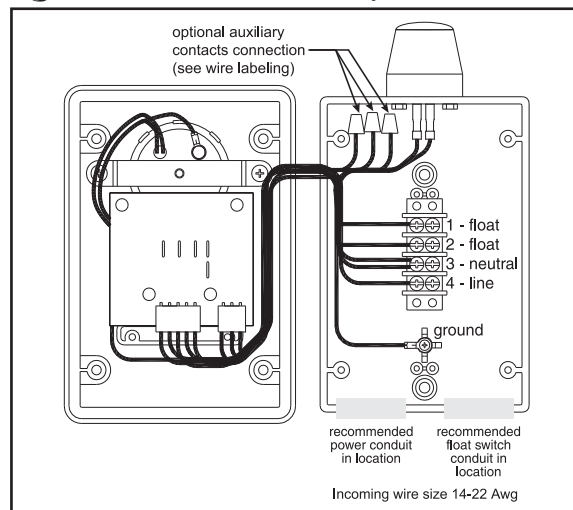
1. Place the cord into the clamp as shown in Figure A.
2. Locate the clamp at the desired activation level and secure the clamp to the discharge pipe as shown in see Figure A.
Note: Do not install cord under hose clamp.
3. Tighten the hose clamp using a screwdriver. Over tightening may result in damage to the plastic clamp. Make sure the float cable is not allowed to touch the excess hose clamp band during operation.
4. Wire cable leads directly into control device as shown in Figures B & C.
5. Check installation. Allow system to cycle to insure proper operation. **Note:** All hose clamp components are made of 18-8 stainless steel material. See your SJE-Rhombus® supplier for replacements.

INSTALLING THE ALARM

1. Mount alarm box using existing holes in back of box. To ensure water-tight seal, use screws and sealing washers included with alarm. **Note:** Screws are to be located over wall stud or used with a wall anchor sized for a #8 x 1.25 self tapping screw.
2. Determine "conduit-in" locations on alarm as shown in Figures B & C. **Note:** When used with a pump application, connect alarm to a circuit separate from the pump circuit. This allows alarm to continue to operate if the pump circuit fails.
3. Drill holes for conduit entry, taking care not to damage bosses inside alarm box.
4. Attach conduit.

If alarm includes premounted terminal block option, refer now to the Terminal Block Option Wiring Instructions.

5. Bring float switch cable through conduit and wire to terminal block positions 1 and 2 as shown in Figures B & C.
6. Wire power conductors to terminal block positions 3 and 4 and ground wire to ground termination post as shown in Figures B & C. **Note:** If terminal block option is used, attach ground wire as shown in Figure A of Terminal Block Option Wiring Instructions.
7. If remote device is used, connect wires as shown in Figure C using supplied wire nuts.
8. Attach alarm box cover using the four pre-installed screws.
9. Turn on power. Light on switch should come on.
10. Check installation by manually tipping the float. The horn and beacon should turn on.
11. Push silence switch to test silence feature.
12. Test unit once per week to insure proper operation.

Figure A**Figure B - TAXT Standard****Figure C - TAXT with Auxiliary Contacts**

SJE-Rhombus®

22650 County Highway 6 ■ P.O. Box 1708 ■ Detroit Lakes, Minnesota 56502 USA

1-888-DIAL-SJE (1-888-342-5753) ■ Phone: 218-847-1317 ■ Fax: 218-847-4617 ■ E-mail: sje@sjerrhombus.com