

Sump Alarm

The Premier 10 Ft. Piggyback Float Switch



For Septic System, Sump Pump & Water Tank

- 3 Meters (10 feet) of cable, Cable Ties, and Piggyback Connector
- Direct Connection of Sump Pump - Pumps to Empty
- Rated up to 13 Amps or 1/2 HP
- 3 year warranty against manufacturing defects
- Temperature ratings from 32F to 140F, and rated to IP68, with CE & IEC approvals

Features Include:

- This piggyback float switch controls your pump and is wired for emptying operations
- Three year in-the-field warranty
- Stainless steel ball and honeywell micro switch
- Casing made of polypropylene for non-corrosive and non-combustible fluids
- Can be used in water tanks, low density oils and sewage water

- **Amazon's Choice for "piggyback float switch"**
- **Low Return Rate:** 16% fewer returns than similar products
- **Highly Rated:** Rated 4.1 out of 5 stars by customers

Kit comes complete with everything shown.



INDUSTRY LEADING
3 YEAR WARRANTY

SumpAlarm.com

PRODUCT DESCRIPTION

This float switch is rated to directly control motors of up to ½ Horsepower (or 13 Amps) at 120 Volts AC for non-continuous pump operations, and up to 13 Amps DC for motor loads.

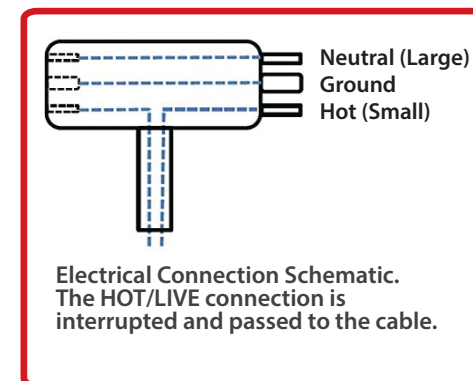
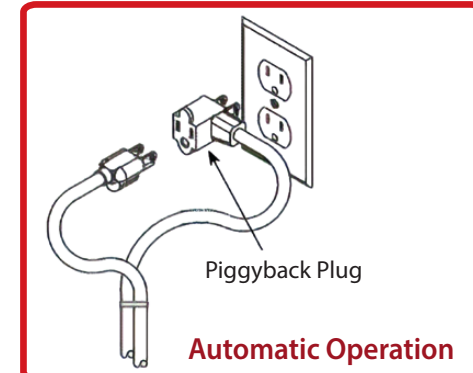
Please feel free to contact us for other applications. For higher horsepower motors, a contactor or relay will be required. This float switch is **made for EMPTYING OPERATIONS**. If your application is for FILLING, this product will not work for you.

Contact us and we will help you find a suitable product.

The molded piggyback plug is unique to grounded 120 Volt applications. Your pump needs a ground and should be plugged into a GFCI receptacle. Your pump will plug directly into the Piggyback Float Switch and the float switch will turn the pump on and off automatically.

PRODUCT INFORMATION

Product Dimensions:	6.5 x 1.5 x 3.2 inches
Item Weight:	12 oz
Shipping Weight:	12 oz
Style:	Piggyback - Pump to Empty
Cord Length:	10 Ft
Part Number:	SA-3100-3
Customer Reviews:	4.0 out of 5 stars



THE PREMIERE
PIGGYBACK
FLOAT SWITCH

Simply the **Best** piggyback float switch on the market. Period.