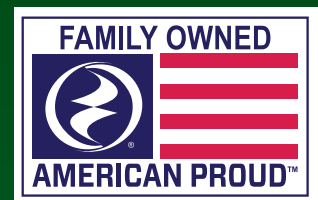


# MODEL 73



## Sump Pump



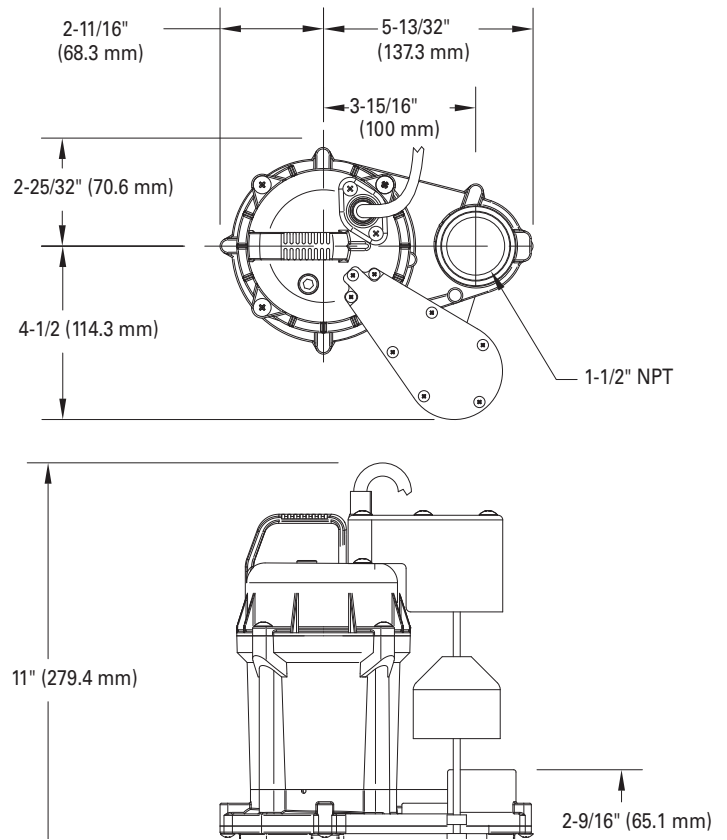
zoellerpumps.com | 800-928-7867 | 3649 Cane Run Rd., Louisville, KY 40211

## Features:

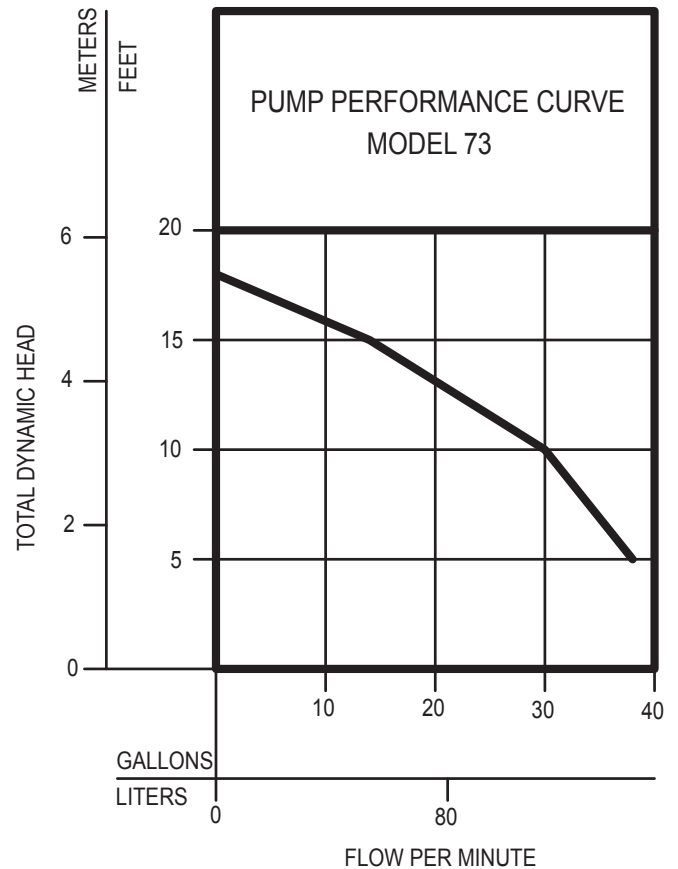
- Energy saving product
- 2-year warranty
- Reliable integrated vertical switch
- 1/3 HP 115 V sump pump
- Performance up to 18' (5.5 m) TDH
- Flows up to 38 GPM (144 LPM)
- Rugged cast iron motor housing
- Engineered plastic base
- Corrosion-resistant, powder coated epoxy paint

### PRODUCT SPECIFICATIONS

<b>MOTOR</b>	Horse Power	1/3
	Voltage	115
	Phase	1 Ph
	Hertz	60 Hz
	RPM	3450
	Type	Permanent split capacitor
	Insulation	Class B
	Amps	5.5
<b>PUMP</b>	Operation	Automatic
	Auto On/Off Points	6-1/2" (16.5 cm) / 2-1/2" (6.3 cm)
	Discharge Size	1-1/2" NPT
	Solids Handling	3/8" (9 mm) spherical solids
	Cord Length	9'
	Cord Type	UL listed with 3 prong plug
	Max. Head	18' (5.5 m)
	Max. Flow Rate	38 GPM (144 LPM)
	Max. Operating Temp.	104 °F (40 °C)
	Cooling	Oil filled
	Motor Protection	Auto reset thermal overload
	<b>MATERIALS</b>	Motor Housing
Pump Housing		Engineered plastic
Base		Engineered plastic
Upper Bearing		Ball bearing
Lower Bearing		Ball bearing
Mechanical Seals		Carbon and ceramic
Impeller Type		Non-clogging vortex
Impeller		Engineered plastic
Hardware		Stainless steel
Motor Shaft		410 stainless steel
Gasket		NBR



SK3021



#### CAUTION

All installation of controls, protection devices and wiring should be done by a qualified licensed electrician. All electrical and safety codes should be followed including the most recent National Electrical Code (NEC) and the Occupational Safety and Health Act (OSHA).